

Parts Catalog

Armadillo 9X Series



Models: 9XR, 9XR Europe, & 9XV
Gasoline, LP & Diesel
Starting @ Serial No. 18168059



PREFACE

Thank you for your purchase of the now industry standard for sweepers. PowerBoss takes great pride in offering the most dependable, reliable and best value in industrial power sweepers and sweeper / scrubbers. We set the standard.

Our Publishing Department would like to hear from you. If you see any errors, omissions or something that needs clarification in this Spare Parts Catalog please let us know. We are working hard toward perfection in our corner of the process to bring you the best you can buy. Please copy the form below, fill out and comment on how you found our catalog.

Thank you.

*Name _____

*Title: _____

*Company Name: _____

*Address: _____

*Country: _____

Type of equipment or model number: _____

Comments:

*Information is optional.

Please return to:

Manager, Publishing Department, International
PowerBoss, Inc.
175 Anderson Street
Aberdeen, North Carolina 28315 USA

Phone (800) 982-7141 Toll Free

(910) 944-2105 Local

E-Mail - techsupport@powerboss.com

This is the Spare Parts Catalog for the PowerBoss Armadillo SW/9X Series Sweeper. This catalog covers all Standard Armadillo 9X Series machine variations beginning May 2009. We believe this machine will provide excellent service for many years.

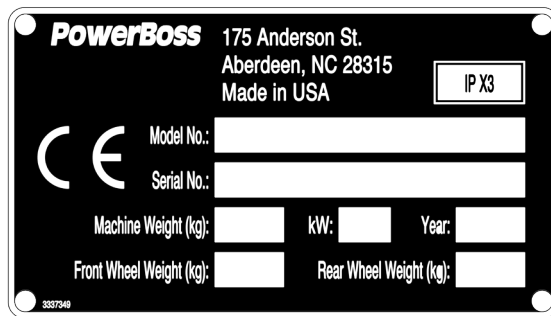
However, the best results will be obtained if:

- The machine is operated with reasonable care.
- The machine is maintained regularly per the maintenance schedule provided in the User Manual.
- The machine is maintained with PowerBoss Inc. supplied or equivalent parts.

All right side and left side references to the machine (except for engine) are determined by facing the direction of forward travel. The front of the engine or engine fan faces the rear of the machine. Some hardware considered to be common or locally available has been omitted from the parts section to make this manual clear. Be sure to use equivalent hardware when replacement becomes necessary.

The Model and Serial Number of your machine is shown on the I.D. name plate. This information is needed when contacting Technical Support or when ordering parts. The I.D. plate is mounted on the console of the machine left of the operator. Adjacent the main broom adjustment access door.

Example I.D Plate;



Parts may be ordered by phone, fax or e-mail from any PowerBoss parts and service center. Before ordering parts or supplies, be sure to have your machine model number and serial number handy. For your convenience Fill out the data block below for future reference.

<p>MACHINE DATA Fill out at installation</p>	
Serial Number:	_____
Engine Serial Number:	_____
Sales Rep.:	_____
Date of Install:	_____

All information contained in this catalog is current at the time of printing. However, PowerBoss reserves the right to make changes at any time without notice.

©2012, PowerBoss, Inc., Printed in USA

TECHNICAL SPECIFICATIONS

Model Armadillo 9X series

Model No.

Tier III Models 9XRT3DSL / 9XRT3LPG / 9XRT3GAS

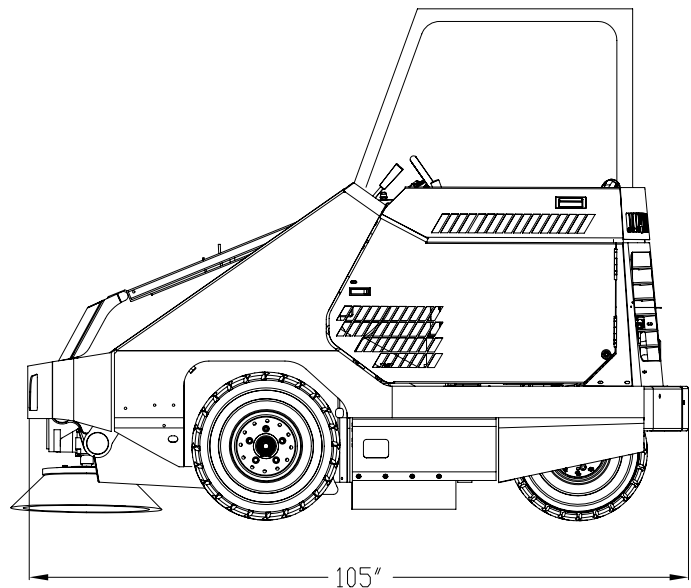
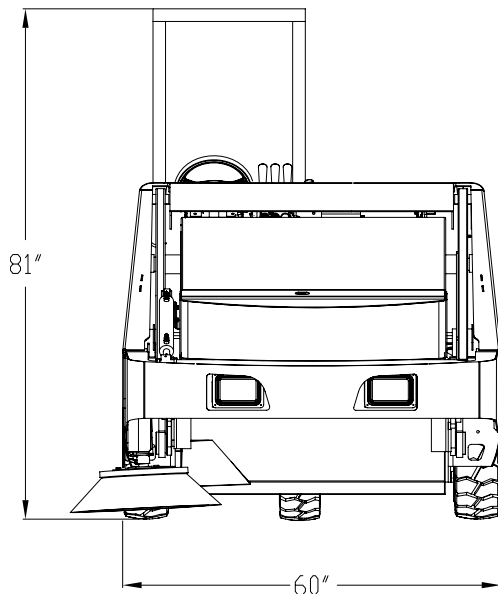
Other Models 9XRGASES / 9XRLPES / 9XRDSLES / 9XRGASESBR / 9XRLPESBR / 9XRDSLESBR / 9XRDSLCE / 9XRLPGCE / 9XNDLXLP / 9XNDLXGAS / 9XKDLXDSL / 9XDLXLPBR / 9XDLXDSLBR / 9XDLXGASBR

DIMENSIONS & WEIGHT

Length 105 inch
width 60 inch
height 55.38 inch
w/ overhead guard 81 inch
w/ cab 81 inch
weight 3500 lbs.
minimum u-turn 110 inch

SWEEPING SYSTEM

productivity 184800 sq ft per hour
sweep path 62 inch
main broom 48 inch
side broom 24 inch
second side broom optional (72 inch path)
hopper type RTR high dump
hopper volume 22 cu ft
hopper load capacity 1500 lbs
dust control 110 sq ft
high dump 60 inch
RTR (rotary trash relocation) . yes



CE DECLARATION OF CONFORMITY

- D EG-Konformitätserklärung** (entsprechend der EG-Richtlinie 2006/42/EG)
GB EC Declaration of Conformity (according to Directive 2006/42/EC)
F Déclaration de conformité pour la CEE (conforme à la directive de la CEE 2006/42/CEE)
I Dichiarazione CE di Conformità (ai sensi della direttiva CEE 2006/42)
E CEE Declaración de Conformidad (según la normativa de la CEE 2006/42/CE)

PowerBoss Inc. erklären in alleiniger Verantwortung, daß das Produkt,
 declare under our sole responsibility, that the product,
 déclarons sous notre seule responsabilité que le produit,
 Dichiara sotto la propria responsabilità che il prodotto,
 declaramos bajo responsabilidad propia que el producto,

Machine

Armadillo 9XR LP (9XRLPGCE)
 Armadillo 9XR Diesel (9XRDSLCE)

D auf das sich diese Erklärung bezieht, den einschlägigen grundlegenden Sicherheits- und Gesundheitsanforderungen der EG-Richtlinie 2006/42/EG, sowie den Anforderungen gemäß 2004/108/EG entspricht. Zur sachgerechten Umsetzung der in den EG-Richtlinien genannten Sicherheits- und Gesundheitsanforderungen wurde(n) folgende Norm(en) und /oder technische Spezifikation(en) herangezogen:

GB to which this declaration relates corresponds to the relevant basic safety and health requirements of the Directive 2006/42/EC, and to the requirements of the other relevant Directives 2004/108/EC. For the relevant implementation of the safety and health requirements mentioned in the Directives, the following standard(s) and/or technical specification(s) has (have) been respected:

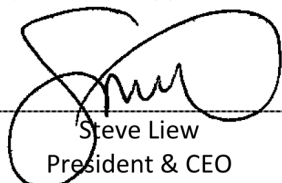
F faisant l'objet de la déclaration est conforme aux prescriptions fondamentales en matière de sécurité et de santé stipulées dans la Directive de la CEE 2006/42/CEE, ainsi qu'aux prescriptions des autres Directives de la CEE établies dans ce domaine 2004/108/CEE. Pour mettre en pratique dans les règles de l'art les prescriptions en matière de sécurité et de santé stipulées dans les Directives de la CEE, il a été tenu compte de la/des norme(s) et/ou de la/des spécification(s) technique(s) suivante(s):

I é conforme ai requisiti essenziali di sicurezza e di tutela della salute di cui alla Direttiva CEE 2006/42 e sue successive modifiche, nonché ai requisiti di cui alle seguenti Direttive CEE 2004/108. Per la verifica della Conformità di cui alle Direttive sopra menzionate, sono state consultate le seguenti, Norme Armonizzate EN:

E al cual se refiere la presente declaración corresponde a las exigencias básicas de la normativa de la CEE 2006/42/CE y referentes a la seguridad y a la sanidad, así como a las exigencias de la demás normativas de la CEE 2004/108/CE. Con el fin de realizar de forma adecuada las exigencias referentes a la seguridad y a la sanidad mencionadas en las normativas de la CEE fué(ron) consultada(s) la(s) siguiente(s) normativa(s) y especificación(es) técnicas(s):

EN 60335-2-72, EN 55012, EN 61000-6-2

Date 5/19/2010



Steve Liew
 President & CEO

Name der autorisierten Person, die für PowerBoss die technischen Unterlagen zusammenstellt:
 Name of the person authorized for PowerBoss to compile the technical file:
 Personne chargée du suivi du dossier technique:
 Nome della persona autorizzata da PowerBoss a compilare il file tecnico:
 Nombre de la persona autorizada por PowerBoss para la creación del fichero técnico:
 Jeff Pollack

TABLE OF CONTENTS

PREFACE 2

TECHNICAL SPECIFICATIONS 4

 DIMENSIONS & WEIGHT 4

 SWEEPING SYSTEM 4

CE DECLARATION OF CONFORMITY 5

STANDARD ABBREVIATIONS 9

FRAME ASSEMBLY 9XR AND 9XR EUROPE 10

FRAME ASSEMBLY 9XV 12

AXLE BRAKE AND WHEEL ASSEMBLIES 14

7" MECHANICAL BRAKE ASSEMBLY 16

STEERING WHEEL, GAUGES & FUSES 18

INSTRUMENT PANEL AND TILT STEERING ASSEMBLIES FOR 9XV 20

SIDE BROOM ASSEMBLY - DRIVE MOTOR, ARM, AND MOUNTING 22

SIDE BROOM ASSEMBLY - ADJUSTMENT COMPONENTS 24

ENGINE COVER, SIDE DOOR, LATCH & REAR GRILL 26

HYDRAULIC HOSES, STEERING UNIT, & COLUMN 28

REAR DRIVE ASSEMBLY 30

DIRECTIONAL CONTROL LINKAGE ASSEMBLY 32

CONSOLE ASSEMBLY 34

SEAT, FLOOR PAN & TAIL LIGHT 36

SEAT ASSEMBLY 9XR EUROPE 38

LP TANK HOSES AND FITTINGS - 9XR EUROPE 40

LP TANK MOUNT - 9XR EUROPE 42

LIFT & ROTATION CYLINDERS, HYDRAULIC HOSES 44

LIFT & ROTATION CYLINDERS, HYDRAULIC HOSES (CONTINUED) 46

RTR SWITCH DETAIL LIFT ARM 48

RTR SWITCH DETAIL HOPPER 49

HOPPER - FILTER AND SHAKER MOTOR COMPONENTS - 9XR & 9XR EUROPE 50

HOPPER - FILTER AND SHAKER MOTOR COMPONENTS - 9XV 52

HOPPER - COVERS, FLAP, AND LATCH COMPONENTS 54

FRONT BUMPER ASSEMBLY 56

BATTERY COMPONENTS 57

ENGINE PAN, HYDRAULIC HOSE RETAINER & LATCH 58

FUEL TANK GASOLINE AND DIESEL 60

HYDRAULIC RESERVOIR ASSEMBLY 62

TABLE OF CONTENTS (CONTINUED)

HYDRAULIC CONTROL VALVE ASSEMBLY - 9XR AND 9XV 64

SOLENOID AND HYDRAULIC CONTROL VALVE MOUNTING - 9XR EUROPE 66

SOLENOID VALVE DETAILS - 9XR EUROPE 68

HYDRAULIC CONTROL VALVE DETAIL - 9XR EUROPE 70

IMPELLER ASSEMBLY 72

MAIN BROOM ASSEMBLY 74

SIDE BROOM & MAIN BROOM 76

VACUUM SWITCH 78

TIMER-FILTER SHAKER SEALED 79

GASKET MOUNT ASSEMBLY 80

ENGINE GM 1.6L LPG & GASOLINE - OIL FILTER, PLUG WIRES & WATER PUMP 82

ENGINE GM 1.6L LPG & GASOLINE - FAN, ALTERNATOR BELT & STARTER 84

ENGINE GM 1.6L LPG & GASOLINE - PAN, MOTOR MOUNTS & BRACKETS 86

ENGINE GM 1.6L LPG & GASOLINE - PAN, MOTOR MOUNTS & BRACKETS (CONTINUED) 88

ENGINE GM 1.6L LPG & GASOLINE - RADIATOR & BRACKETS 90

ENGINE GM 1.6L LPG & GASOLINE - RADIATOR HOSES, SENDING UNITS & CLAMPS 92

ENGINE GM 1.6L LPG & GASOLINE - EXHAUST SYSTEM 94

ENGINE GM 1.6L LPG & GASOLINE - EXHAUST SYSTEM (CONTINUED) 96

ENGINE GM 1.6L LPG & GASOLINE - HYDRAULIC HOSES & FITTINGS 98

ENGINE GM 1.6L LPG & GASOLINE - AIR CLEANER 99

ENGINE GM 1.6L - HYDRAULIC PUMP DETAILS 100

ENGINE GM 1.6L - HYDRAULIC PUMP DETAILS (CONTINUED) 102

ENGINE GM 1.6L - ENGINE COMPONENT BREAKDOWN ILLUSTRATION 1 104

ENGINE GM 1.6L - ENGINE COMPONENT BREAKDOWN ILLUSTRATION 1 (CONTINUED) 106

ENGINE GM 1.6L - ENGINE COMPONENT BREAKDOWN ILLUSTRATION 1 (CONTINUED) 108

ENGINE GM 1.6L - ENGINE COMPONENT BREAKDOWN ILLUSTRATION 2 110

ENGINE GM 1.6L - ENGINE COMPONENT BREAKDOWN ILLUSTRATION 2 (CONTINUED) 112

ENGINE GM 1.6L - ENGINE COMPONENT BREAKDOWN ILLUSTRATION 2 (CONTINUED) 114

ENGINE GM 1.6L - LPG FUEL SYSTEM T2 116

ENGINE GM 1.6L - LPG FUEL SYSTEM T2 (CONTINUED) 118

ENGINE GM 1.6L - GASOLINE FUEL SYSTEM T2 120

ENGINE KUBOTA V1505 DIESEL - AIR CLEANER ASSEMBLY 122

ENGINE KUBOTA V1505 DIESEL - FUSE BOX ASSEMBLY 123

ENGINE KUBOTA V1505 DIESEL - FUSE BOX DETAILS 124

ENGINE KUBOTA V1505 DIESEL - ALTERNATOR, WATER PUMP, FAN, AND OIL PAN 126

TABLE OF CONTENTS (CONTINUED)

ENGINE KUBOTA V1505 DIESEL - FLYWHEEL, STARTER, HEAD COVER, AND EXHAUST 128

ENGINE KUBOTA V1505 DIESEL - FUEL SYSTEM AND SPEED CONTROL 130

ENGINE KUBOTA V1505 DIESEL - BLOCK AND FREEZE PLUGS 132

ENGINE KUBOTA V1505 DIESEL - HEAD 134

ENGINE KUBOTA V1505 DIESEL - MAIN BEARING CASE 136

ENGINE KUBOTA V1505 DIESEL - CAMSHAFT AND IDLE GEAR SHAFT 138

ENGINE KUBOTA V1505 DIESEL - PISTON AND CRANKSHAFT 140

ENGINE KUBOTA V1505 DIESEL - STARTER, FAN, FUEL PUMP, MOTOR MOUNTING 142

ENGINE KUBOTA V1505 DIESEL - EXHAUST DETAIL 144

ENGINE KUBOTA V1505 DIESEL - RADIATOR DETAIL 146

ENGINE KUBOTA V1505 DIESEL - RADIATOR COOLANT TANK & MOUNT 148

ENGINE KUBOTA V1505 DIESEL - RADIATOR MOUNTS DETAIL 150

ENGINE KUBOTA V1505 DIESEL - RADIATOR ASSEMBLY & MOUNTING BRACKETS 152

ENGINE KUBOTA V1505 DIESEL - RADIATOR ASSEMBLY, CLAMPS, HOSES & SENDERS 154

ENGINE KUBOTA V1505 DIESEL - HYDRAULIC PUMP DETAIL 156

ELECTRICAL SCHEMATIC WITH KUBOTA V1505 158

ELECTRICAL SCHEMATIC WITH GM1.6L 159

ELECTRICAL SCHEMATIC 9XR EUROPE WITH KUBOTA V1505 160

HYDRAULIC SCHEMATIC 9XR 161

HYDRAULIC SCHEMATIC 9XR EUROPE 162

HYDRAULIC SCHEMATIC 9XV 163

COMMON STOCK ITEMS 164

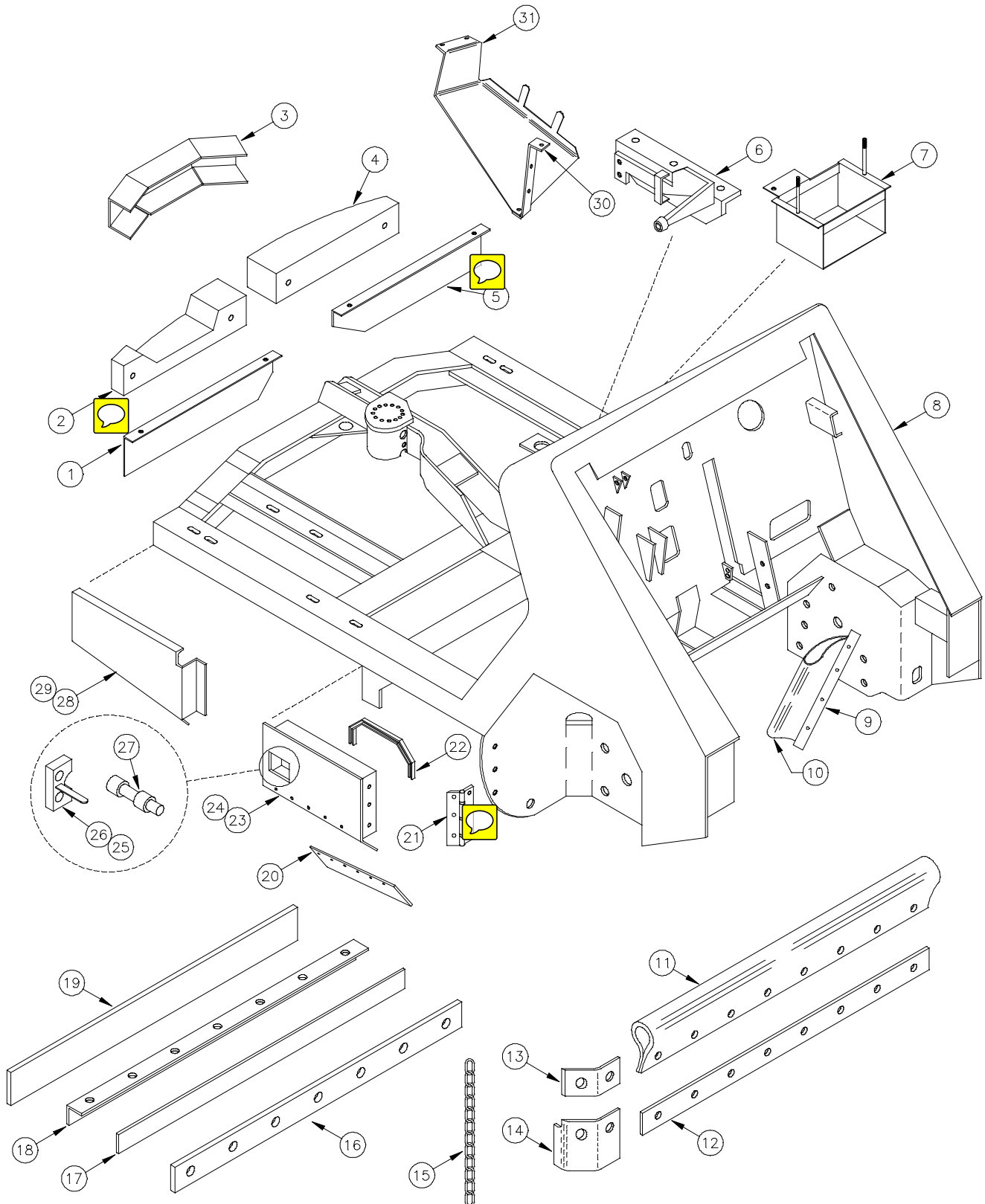
WARRANTY 169



STANDARD ABBREVIATIONS

°C-Degrees Celsius	INFO-Information
°F-Degrees Fahrenheit	INT-Internal or Interior
12V-12 Volts DC	LG-Long
AR-Abrasion Resistant	LH-Left Hand
ASSY-Assembly	LPG-Liquefied Petroleum Gas
ATO-Standard Auto Fuse Type	LP-Liquefied Petroleum
Also called ATC	M8x1-Indicates Metric threads, 8mm Dia with a 1mm thread pitch
BHSCS-Button Head Screw SS	MM-Millimeters
BLK-Black	MNT-Mount
BLT-Belt	MS-Mld Size
BR-Brass or Broom or Brush	OD-Outside Diameter
BRM-Broom	PLTD-Plated
BRKT-Bracket	REV-Reverse
CB-Curb Broom	RH-Right Hand
CCW-Counter Clockwise	ROT-Rotation
CI-Cubic Inch	RTR-Rotary Trash Relocator
CW-Clockwise Rotation	SCR-Screw
CYL-Cylinder	SC-Scrubber
DEG-Degrees	SP-Service Part
DIA-Diameter	SPDT-Single Pole Double Throw
DPDT-Double Pole Double Throw	SPST-Single Pole Single Throw
ELEC-Electric	SS-Stainless Steel
ES-Elastic Stop, also Nyloc	STR-Straight
EXT-Exterior or Extended	ST-Straight
FI-Fuel Injection	SUB-Sub Assembly
FS-Full Size	THD-Thread
FTG-Fitting	THK-Thick
FWD-Forward	THRU-Through
REV-Reverse	UNC-Unified Nat'l Coarse Threads
GAL-US Gallon (3.79 Liters)	UNF-Unified Nat'l Fine Threads
GOV-Governor	V1505-Kubota Diesel Engine
HD-Head	GM1.6L-General Motors LP / Gasoline Engine
HD-Heavy Duty	W/-With
HOP-Hopper	WELD-Weldment
HSS-High Speed Steel	W/O-Without
HT-High Temperature	SP-Zinc Plated
HT-Height	
HYD-Hydraulic	
ID-Identification	
ID-Inside Diameter	
IMP-Impeller	

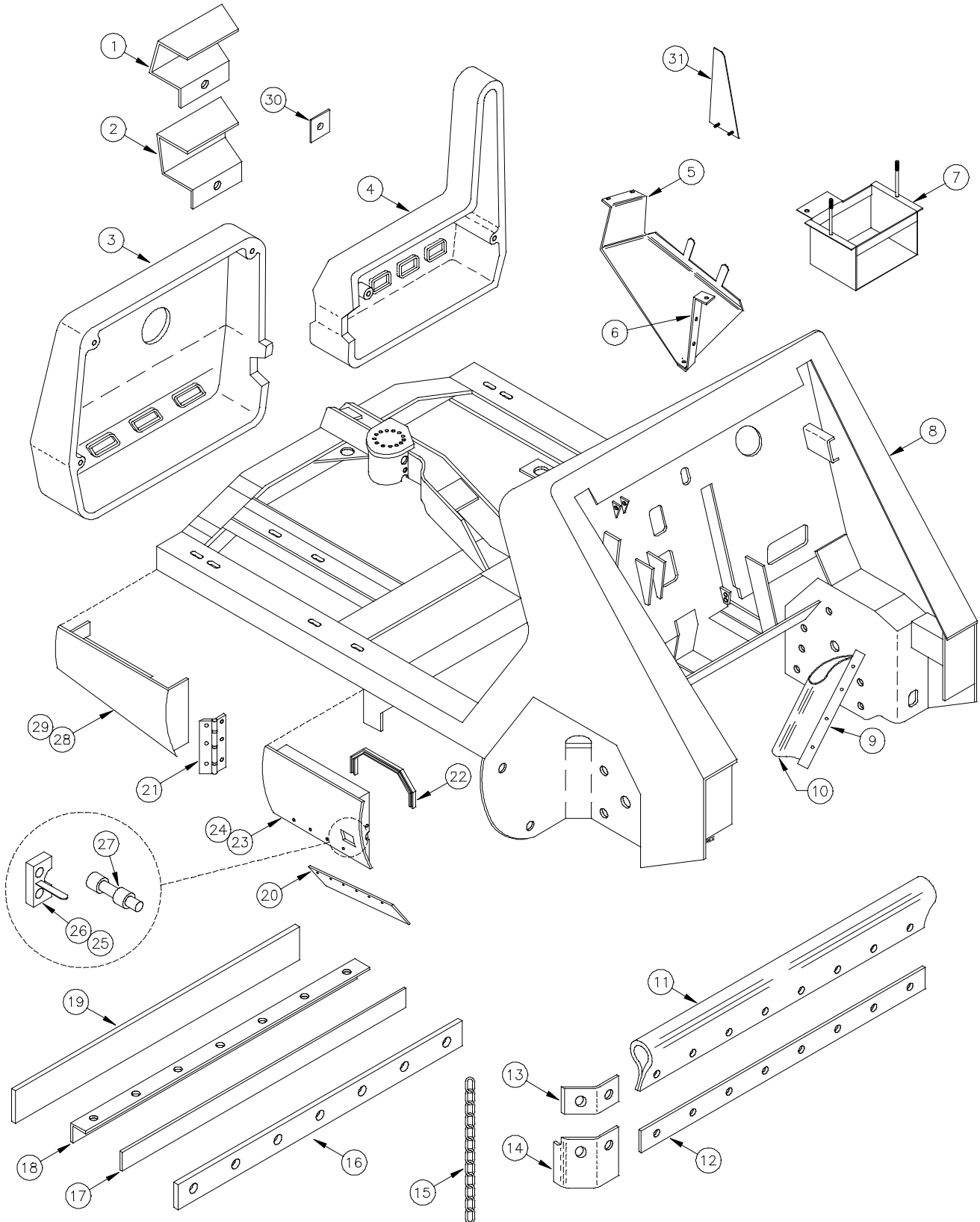
FRAME ASSEMBLY 9XR AND 9XR EUROPE



FRAME ASSEMBLY 9XR AND 9XR EUROPE				
ITEM	PART NO.		REQ'D	DESCRIPTION
	9XR	9XR Europe		
1	3333711		1	PANEL-RH REAR
2	3309707		1	COUNTERWEIGHT-RH
3	3332147		1	COVER-COUNTER WEIGHT CENTER
4	3301046		1	COUNTERWEIGHT-LH
5	3335397		1	PANEL-LH REAR SW/9XR
6	3317117		1	ASSEMBLY-ENGINE LOCK SUB
7	3321296		1	WELDMENT-BATTERY BOX (also see Battery Detail pg 49)
8	3335310		1	WELDMENT-FRAME TIER 2
9	3315203		2	RETAINER-HOPPER SIDE SEAL
10	3318143		2	FLAP-RUBBER HOPPER/FRAME SIDE
11	3307276		1	SEAL-FRAME HOPPER HORIZONTAL
12	3307281		1	STRAP-FRAME HOP FLAP
13	3307287		1	STRAP-BROOM CORNER FLAP
14	3307286		1	FLAP-BROOM CHAMBER CORNER
15	3307658		1	CHAIN-FRAME GROUNDING
16	3307283		1	STRAP-REAR FEED FLAP
17	3307279		1	FLAP-REAR FEED
18	3307282		1	ANGLE-REAR FLAP
19	3307278		1	FLAP-REAR HOPPER
20	3333705		2	FLAP-BROOM DOOR
21	3307275		2	HINGE-BROOM DOOR
22	3318739		3.0'	WEATHERSTRIPPING-RUBBER SPONGE
23	3333702		1	SUB-BROOM DOOR RH (Includes Items 20, 23-26)
	3333703		1	DOOR-BROOM RH (DOOR ONLY)
24	3333706		1	SUB-BROOM DOOR LH (Includes Items 20, 23-26)
	3333707		1	DOOR-BROOM LH (DOOR ONLY)
25	3307246		1	LATCH-LH BROOM DOOR
26	3307247		1	LATCH-RH BROOM DOOR
27	3307248		2	BOLT-STRIKER BROOM DOOR LATCH
28	3333709		1	SKIRT-RH SIDE
29	3333710		1	SKIRT-LH SIDE
30	3307792		1	BAR-HOSE PAN SUPPORT
31	3307791		1	PAN-HOSE

NOTE: Part numbers that span more than one column apply to the models listed in the heading of the columns.

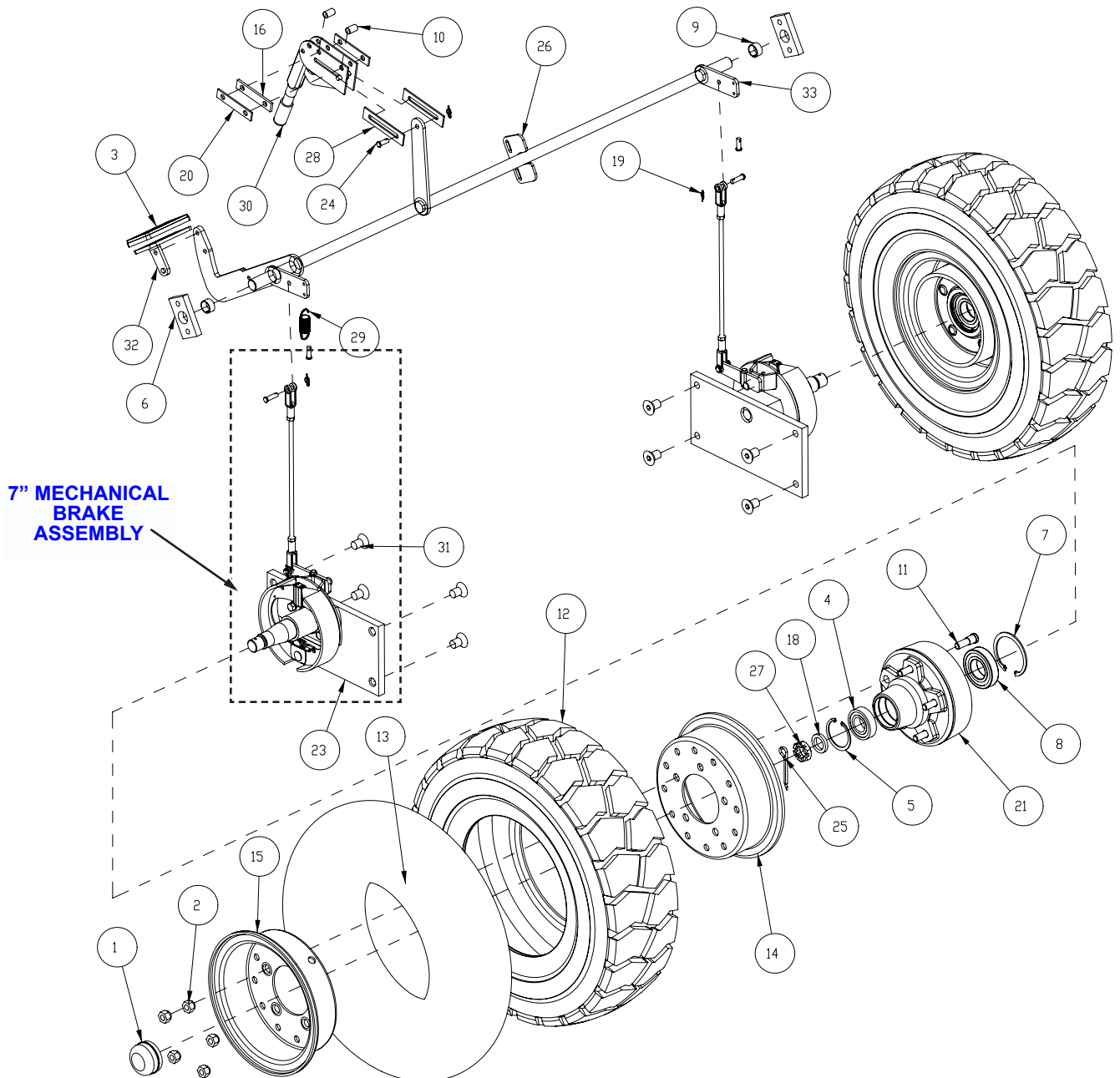
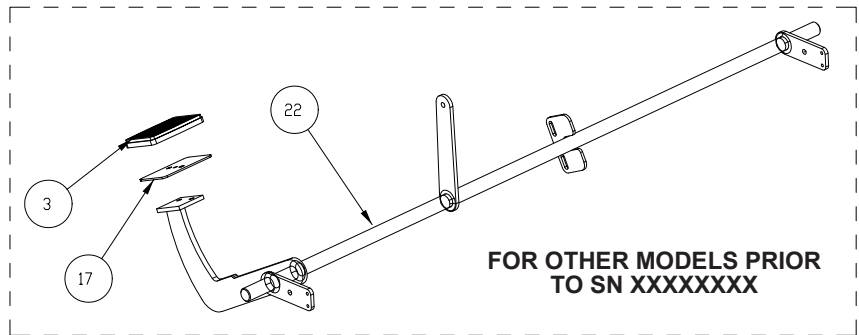
FRAME ASSEMBLY 9XV



FRAME ASSEMBLY 9XV			
ITEM	PART NO.	REQ'D	DESCRIPTION
	9XV		
1	3307804	1	COVER-UPPER CASTING
2	3307810	1	COVER-LOWER CASTING
3	3307320	1	COUNTERWEIGHT-RH MACHINED GASOLINE & DIESEL (SHOWN)
	3307835	1	COUNTERWEIGHT-RH LPG (NOT SHOWN)
4	3307321	1	COUNTERWEIGHT-LH MACHINED
5	3307791	1	PAN-HOSE
6	3307792	1	BAR-HOSE PAN SUPPORT
7	3321296	1	WELDMENT-BATTERY BOX
8	3335310	1	WELD-FRAME, TIER 2,
9	3315203	2	RETAINER-HOPPER SIDE SEAL
10	3318143	2	SEAL-RUBBER HOPPER/FRAME SIDE
11	3307276	1	SEAL-FRAME HOPPER HORIZONTAL
12	3307281	1	STRAP-FRAME HOPPER FLAP
13	3307287	1	STRAP-BROOM CORNER FLAP
14	3307286	1	FLAP-BROOM CHAMBER CORNER
15	3307658	1	CHAIN-FRAME GROUNDING
16	3307283	1	STRAP-REAR FEED FLAP
17	3307279	1	FLAP-REAR FEED
18	3307282	1	ANGLE-REAR FLAP
19	3307278	1	FLAP-REAR HOPPER,
20	3307280	2	FLAP-MAIN BROOM DOOR
21	3307275	2	HINGE-BROOM DOOR
22	3318739	3.0'	WEATHERSTRIPPING-RUBBER SPONGE
23	3307025	1	ASSEMBLY-BROOM DOOR RH SUB (Includes Items 20,23-26)
	3307265	1	WELDMENT-DOOR, RH BROOM, (DOOR ONLY)
24	3307024	1	ASSEMBLY-BROOM DOOR LH SUB (Includes Items 20,23-26)
	3307266	1	WELDMENT-DOOR, LH BROOM, (DOOR ONLY)
25	3307246	1	LATCH-LH BROOM DOOR
26	3307247	1	LATCH-RH BROOM DOOR
27	3307248	2	BOLT-STRIKER BROOM DOOR LATCH
28	3307520	1	WELDMENT-SKIRT LH REAR SIDE
29	3307519	1	WELDMENT-SKIRT RH REAR SIDE
30	3307831	1	BACKING-CASTING COVER
31	3307799	1	WELDMENT-CORNER GUARD

NOTE: Part numbers that span more than one column apply to the models listed in the heading of the columns.

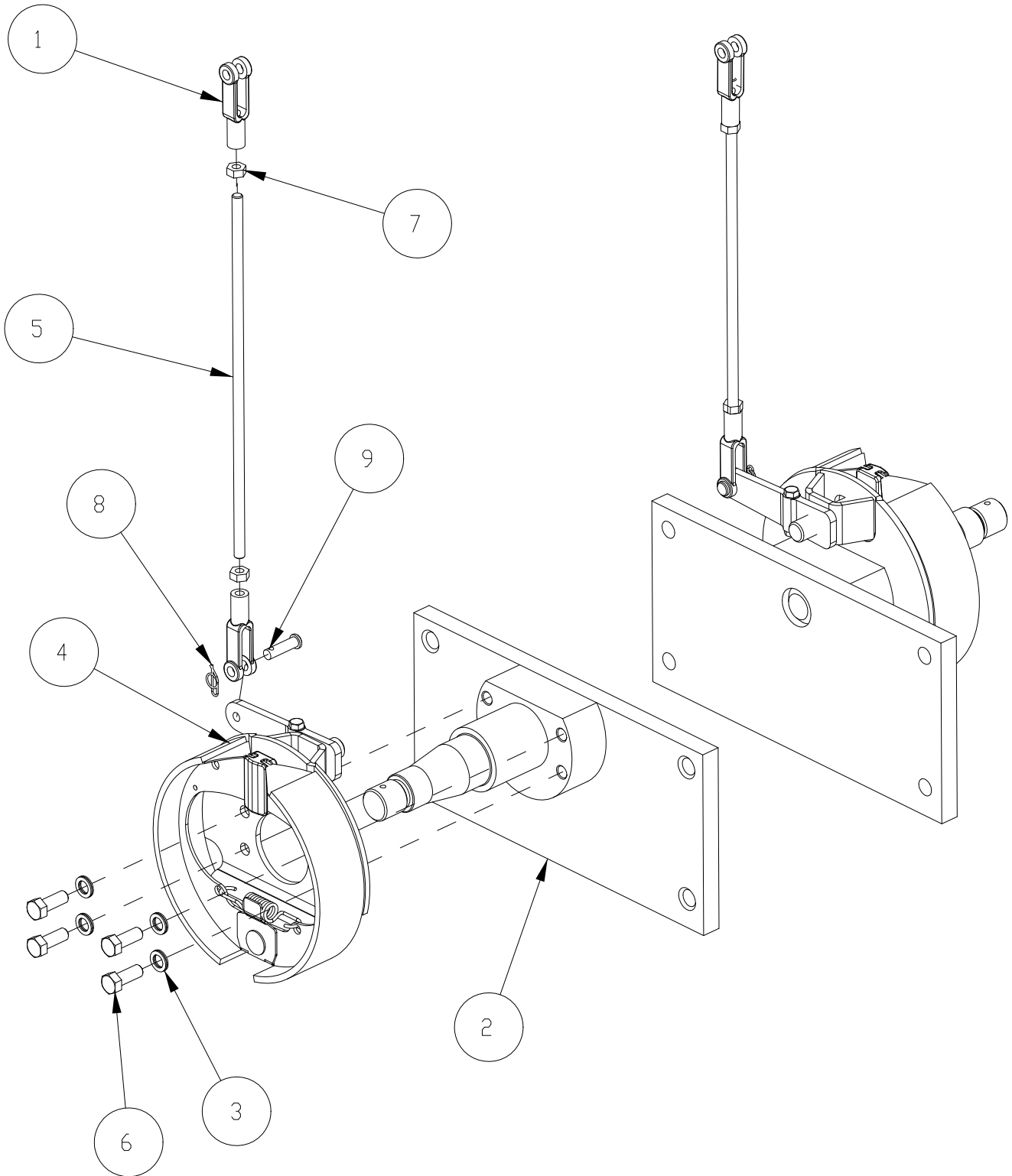
AXLE BRAKE AND WHEEL ASSEMBLIES



AXLE BRAKE AND WHEEL ASSEMBLIES					
ITEM	PART NO.			REQ'D	DESCRIPTION
	9XR	9XR Europe	9XV		
1		3300369		2	CAP-HUB, 2.44" DIA.
2		3300411		10	NUT-LUG 1/2-20
3		3300413		2	PAD-BRAKE PEDAL
4		3300467		2	BEARING-BALL 2.44 OD X 1.18 ID
5		3300473		2	RETAINING RING, INT 2.44
6		3307233		2	MNT- BRG - BRAKE
7		3307237		2	RING - RET. INT. INNER WHEEL SW/A
8		3307238		2	BEARING - INNER WHEEL SW/A
9		3307239		2	BEARING-BRAKE ARM SW/A
10		3307241		2	SPACER-HAND BRAKE PLTD SW/A
11		3307242		10	STUD - WHEEL, 1/2-20X1.75 LG
12		3307252		2	TIRE-PNEUMATIC 6.50X10
13		3307253		2	TUBE - TIRE INNER, 600x9
14		3307254		2	RIM - REAR INNER SW/A
15		3307255		2	RIM - REAR OUTER SW/A
16		3307273		1	ARMA-HAND BRAKE SPACER
17		3307274		1	PAD-BRAKE PNTD SW/A (FOR OTHER MODELS PRIOR TO SN XXXXXXXX))
18		3307352		2	ARMA - FRONT HUB WASHER
19		3400125		5	PIN-COTTER 3/8 RUE RING
20		3307895		2	SPACER THIN-HAND BRAKE SW/A
21		3318288		2	HUB - 7 INCH I.D.
22		3333948		1	WELDMENT - BRAKE BAR, 9X, 2PC (FOR OTHER MODELS PRIOR TO SN XXXXXXXX))
23		3334058		2	WELDMENT - FRT AXLE SW9XR
24		3400118		3	PIN-CLEVIS 5/16 x 7/8 ZP
25		3400120		1	PIN-COTTER 5/32 X 2.00 ZP
26		3334060		1	SUPPORT - MANUAL BRAKES SW/A
27		3400076		2	NUT-HEX JAM SLOTTED, 1-14 ZP
28		3334087		2	BAR-PARKING BRAKE SLIDER
29		3334098		1	SPRING-MANUAL BRAKE SW/9XR
30		3334173		1	LEVER-HAND BRAKE SW/A
31		3400011		8	SCREW-FLAT HEAD 5/8-11 X 1.00, SOC ZP
32		3337386		1	PLT - BRAKE PEDAL (FOR TIER III MODELS AND OTHER MODELS AFTER SN XXXXXXXX))
33		3337392		1	WELDMENT - BRAKE BAR, 9X, 2PC (FOR TIER III MODELS AND OTHER MODELS AFTER SN XXXXXXXX))

NOTE: Part numbers that span more than one column apply to the models listed in the heading of the columns.

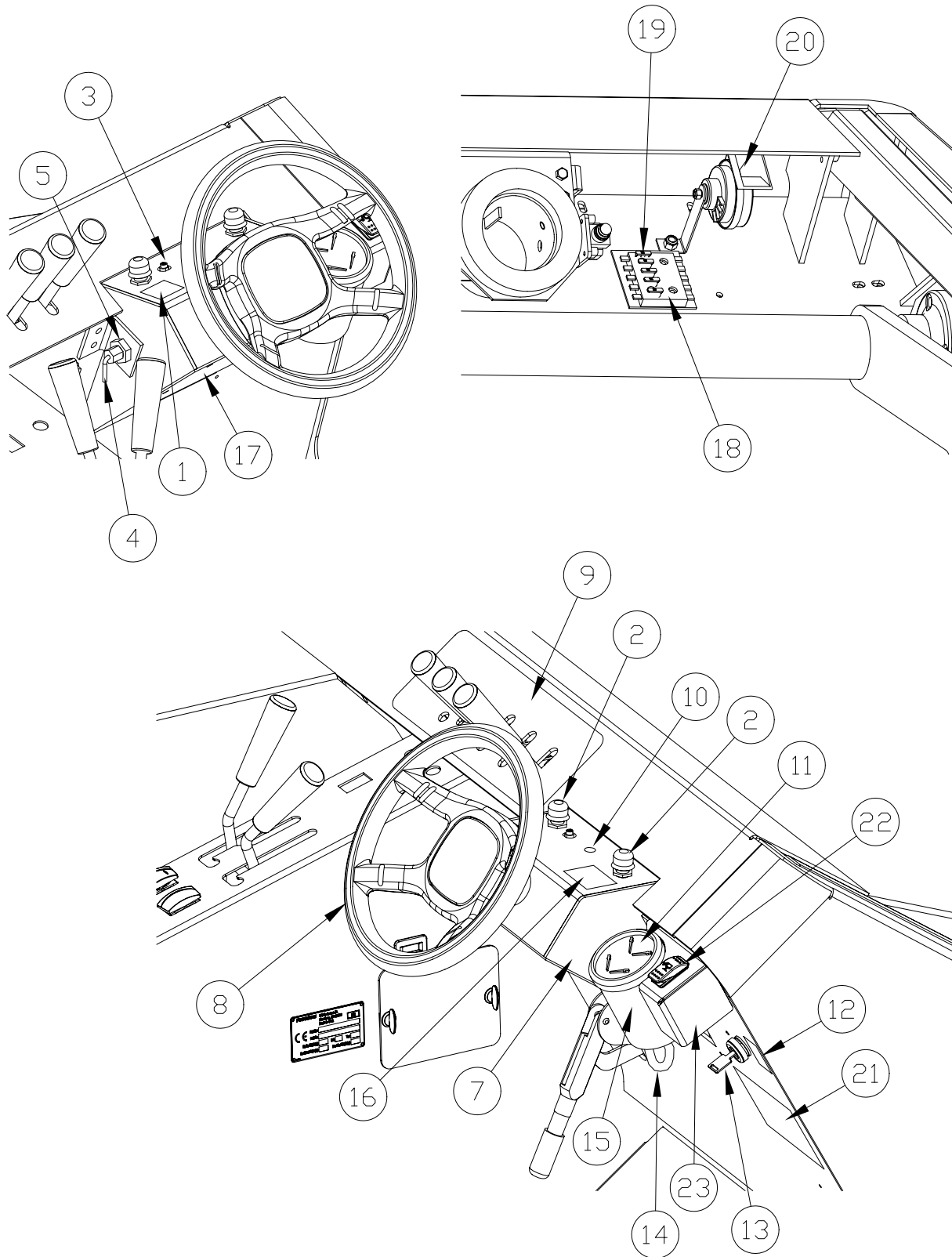
7" MECHANICAL BRAKE ASSEMBLY



7" MECHANICAL BRAKE ASSEMBLY					
ITEM	PART NO.			REQ'D	DESCRIPTION
	9XR	9XR Europe	9XV		
1	3307642			4	CLEVIS-5/16 PLTD SW/A
2	3334058			2	WELDMENT - FRT AXLE SW9XR
3	3401570-9			8	WASHER-NORD-LOCK, 3/8, ZP
4	3334059			1	BRAKE - 7" MANUAL SW/9XR LH&RH
5	3334061			2	ROD - MANUAL BRAKE ADJUST
6	3400030			8	SCREW-HHM 3/8-16 X 1.0 LG ZP
7	3400069			4	NUT-HEX 5/16-24 ZP
8	3400125			2	PIN-COTTER 3/8 RUE RING
9	3400184			2	PIN-CLEVIS 5/16 x 1-1/8 ZP
-	3334064			1	ASSY-AXLE 7" BRAKE RH SUB (INCLUDES 1-9)
-	3334065			1	ASSY-AXLE 7" BRAKE LH SUB (INCLUDES 1-9)

NOTE: Part numbers that span more than one column apply to the models listed in the heading of the columns.

STEERING WHEEL, GAUGES & FUSES

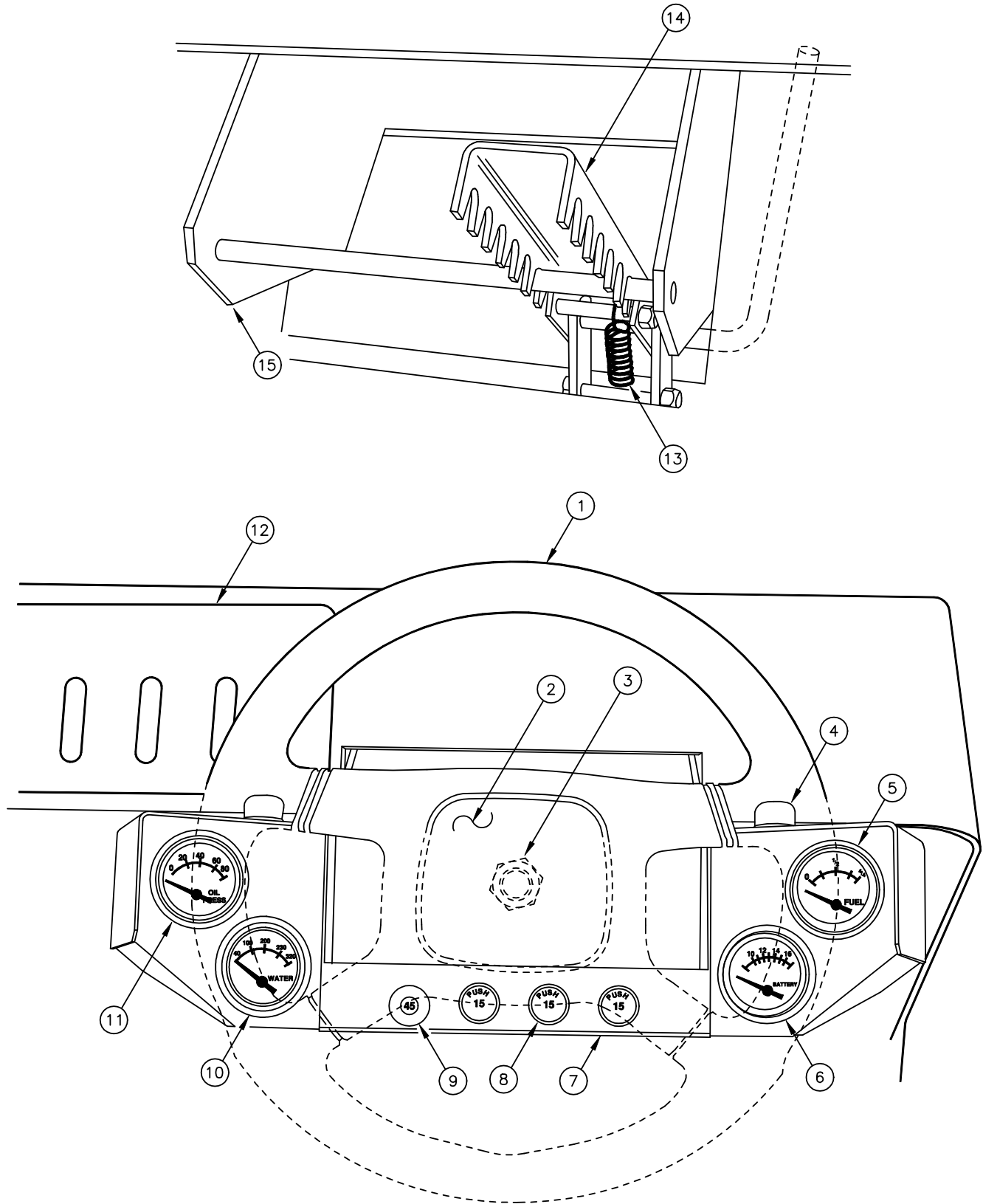


STEERING WHEEL, GAUGES & FUSES					
ITEM	PART NO.			REQ'D	DESCRIPTION
	9XR	9XR Europe	9XV		
1	3302520			1	DECAL-"FILTER SHAKER"
2	3300441			2	SWITCH MOMENTARY
3	3026924			1	CIRCUIT BREAKER-45 AMP
4	3337002		N/A	1	PIN-QUICK RELEASE PLUNGER
5	3400192		N/A	2	NUT-JAM, 5/8-11 (ONE SHOWN)
6	3332453		N/A	1	MOUNT-TILT STEERING PIN, 9XR
7	3333714			1	WELDMENT-TILT STEERING
8	3318220			1	STEERING WHEEL-W/COVER SW/9X
9	3333735		3307594	1	DECAL-FRONT PANEL 9XR
10	3335990			3	PLUG
11	3333721		N/A	1	GAUGE-4 IN 1, 3.50" DIA
12	3307599			1	DECAL-IGNITION
13	3316100			1	SWITCH-IGNITION 12V (INCLUDES 2 KEYS)
	3322562			2	KEY IGNITION
14	3333720		N/A	1	HARNESS-INSTRUMENT PANEL
15	3333719		N/A	1	WELDMENT-GAUGE MOUNT
16	3302525			1	DECAL-"HORN"
17	3333717			1	COVER-TILT STEERING
18	3322599			1	FUSE BLOCK-ATO, 10 POSITION
19	3322601			5	FUSE-15 AMP AUTOMOTIVE PUSH IN
20	3300379			1	HORN-AUTOMOTIVE 12V
21	3301854			1	DECAL-"CAUTION"
22	N/A	19256072	N/A	1	SWITCH-ROCKER OFF-(ON) HOPPER UNLOCK
23	N/A	3337341	N/A	1	BRKT - HOPPER REDUNDANCY SWITCH MOUNT
-	3322733			1	DECAL-"WEAR PARTS REFERENCE" (NOT SHOWN)

NOTE: Where N/A is indicated as the part number the item is not applicable to that particular model.

NOTE: Part numbers that span more than one column apply to the models listed in the heading of the columns.

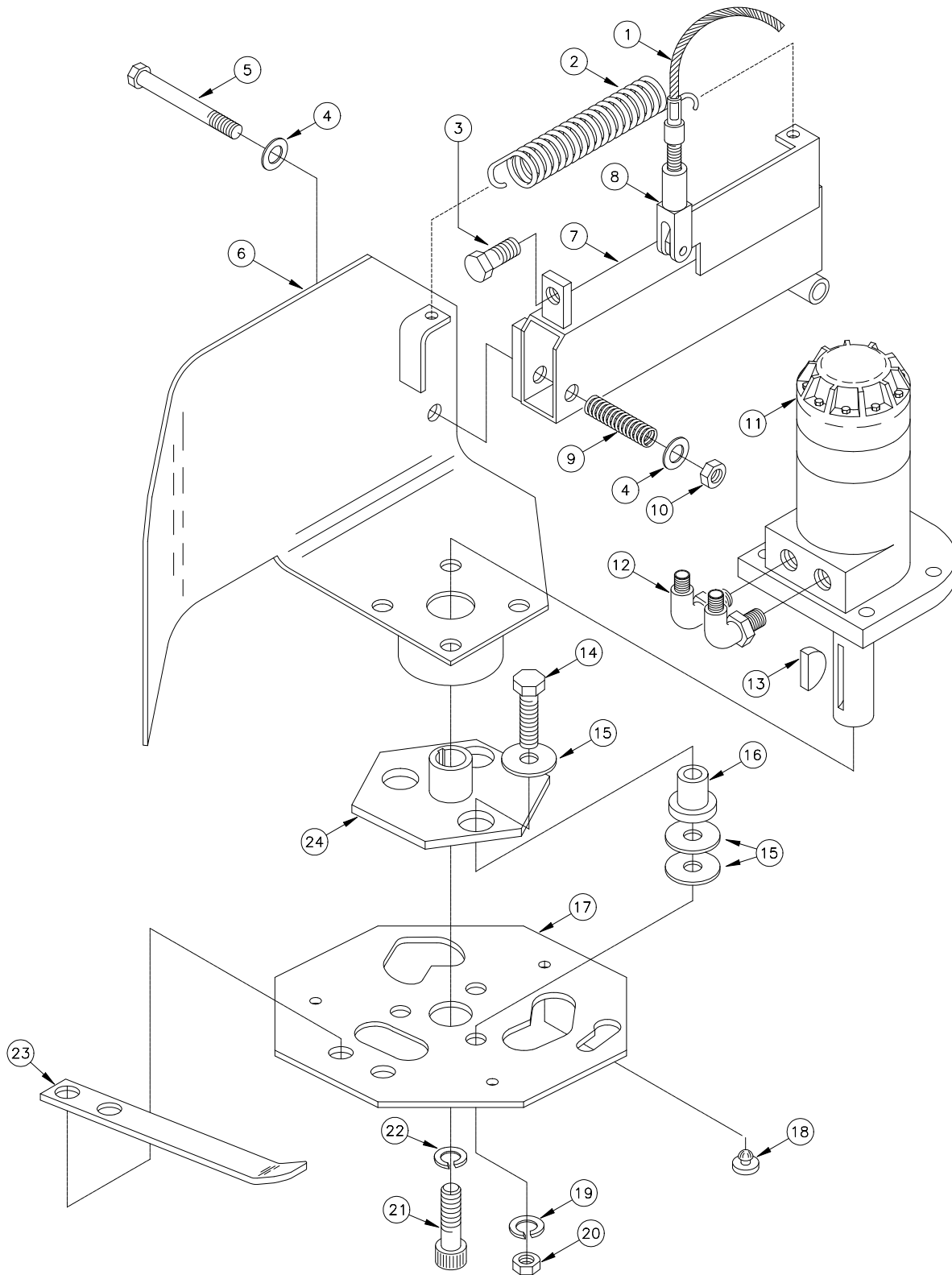
INSTRUMENT PANEL AND TILT STEERING ASSEMBLIES FOR 9XV



INSTRUMENT PANEL AND TILT STEERING ASSEMBLIES FOR 9XV			
ITEM	PART NO.	REQ'D	DESCRIPTION
	9XV		
1	3318220	1	STEERING WHEEL-W/COVER SW/9X
2	3332652	1	COVER-STEERING WHEEL
3	3401075	1	NUT-JAM, M18x1.50 6H
4	3300441	2	SWITCH-MOMENTARY 12V
5	3300382	1	GAUGE-FUEL LEVEL, 2" DIA, 12V
-	3301822	1	PLUG-PLASTIC 2" DIA, (USED IN PLACE OF #5 ON LP UNITS)
6	3309779	1	GAUGE-VOLTMETER, 2" DIA, 12V
7	3307617	1	WELDMENT-INSTRUMENT PANEL 9XV
-	3307630	2	COVER-INSTRUMENT PANEL, , 9XV/ (NOT SHOWN)
8	3304090	3	CIRCUIT BREAKER-15 AMP
-	3304195	3	BOOT-CIRCUIT BREAKER (INSTALLED ON #8)
9	3026924	1	CIRCUIT BREAKER-45 AMP
10	3300384	1	GAUGE-WATER TEMPERATURE, 2", 12V
11	3300383	1	GAUGE-OIL PRESSURE, 2", 12V
12	3307594	1	DECAL-FRONT PANEL 9XV
13	3307815	1	SPRING-EXTENSION, TILT STEERING
14	3307163	1	WELDMENT-LATCHING TILT STEERING
15	3307158	1	WELDMENT-TILT STEERING MOUNT

NOTE: Part numbers that span more than one column apply to the models listed in the heading of the columns.

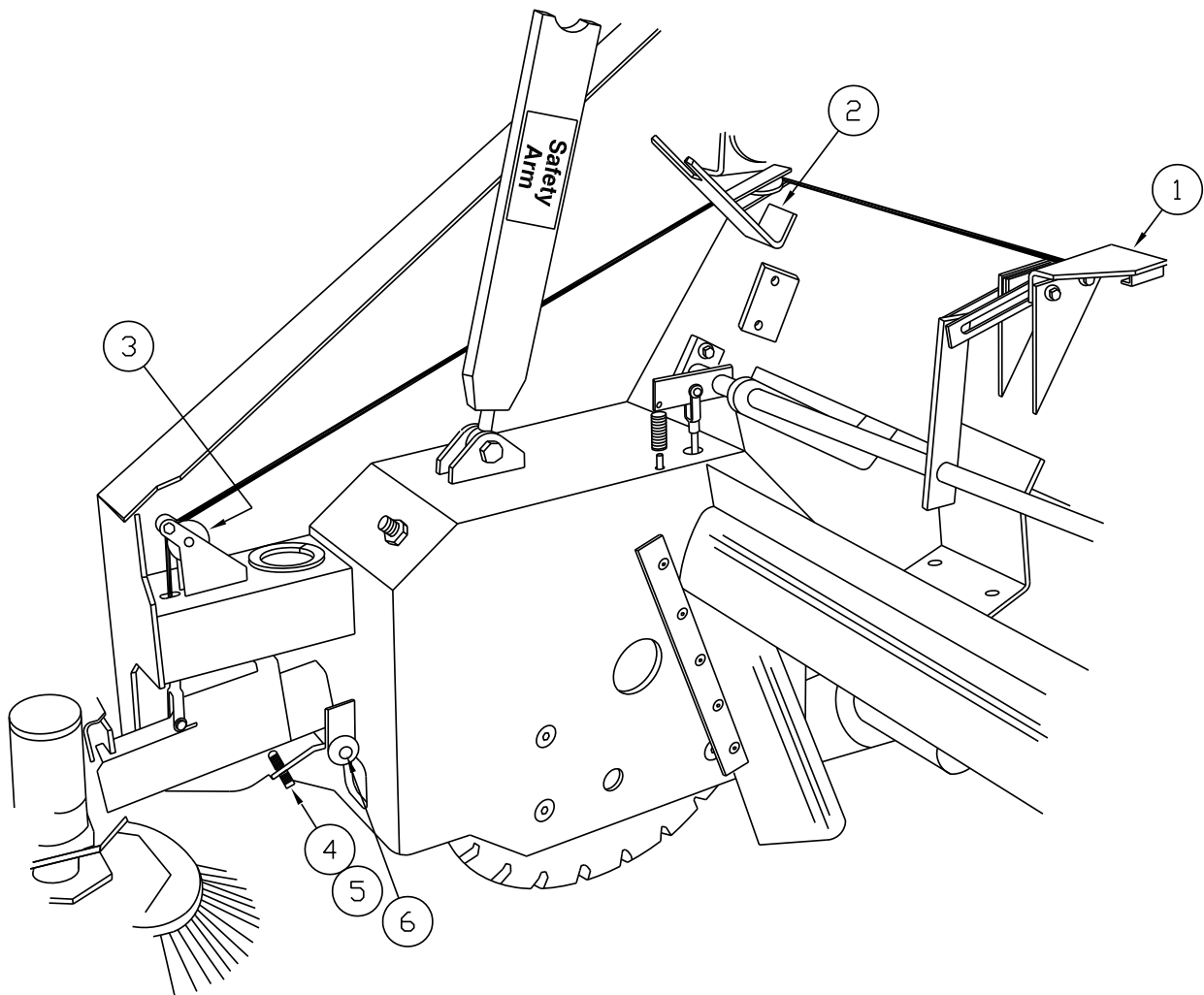
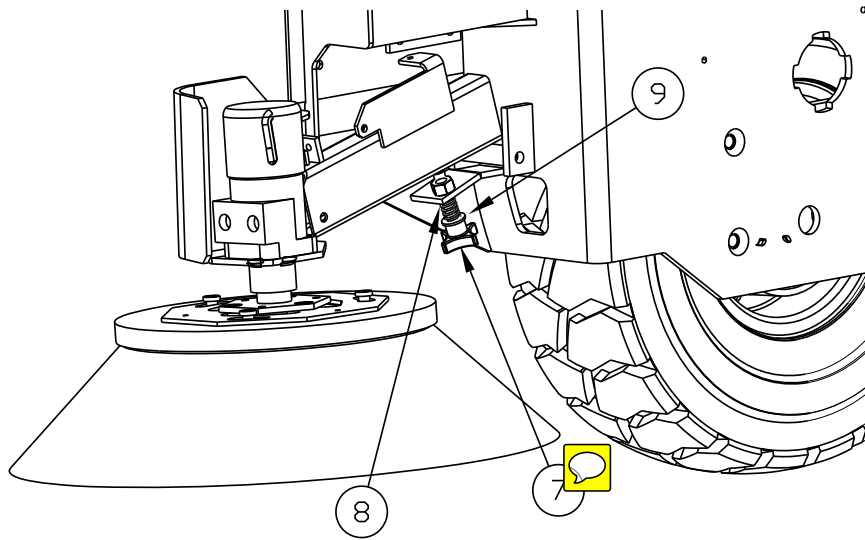
SIDE BROOM ASSEMBLY - DRIVE MOTOR, ARM, AND MOUNTING



SIDE BROOM ASSEMBLY - DRIVE MOTOR, ARM, AND MOUNTING					
ITEM	PART NO.			REQ'D	DESCRIPTION
	9XR	9XR Europe	9XV		
1	3335120			1	CABLE-SIDE BROOM
2	3302599			1	SPRING-EXT LOOPS-IN-LINE
3	3400029			1	SCR-HEX,3/8-16X1.25
4	3400087			4	WASHER-FLAT 3/8 STANDARD
5	3400258			1	SCR-HEX,3/8-24X4.00
6	3307654			1	WELDMENT-RH SIDE BROOM MOUNT
	3309782			1	WELDMENT-LH SIDE BROOM MOUNT (FOR OPTIONAL LH ASSEMBLY)
7	3307527			1	WELDMENT-RH CURB BROOM ARM
	3309778			1	WELDMENT-LH CURB BROOM ARM (FOR OPTIONAL LH ASSEMBLY)
8	3307642			1	CLEVIS-5/16
9	3306179			2	SPRING-COMPRESSION, CURB BROOM
10	3400342			1	NUT-HEX 3/8-24 ES
11	3316897			1	MOTOR-HYD CURB BROOM
12	3400155			1	FTG-90° 7/8-14 TO #8
13	3330338			1	KEY-SHAFT D-FOSS CB/MB/SC MTRS
14	3400028			3	SCR-HEX,3/8-16x1.50
15	3400278			9	WASHER-FENDER 3/8
16	3300465			3	ISOLATOR-RUBBER (.375IDx.81OD)
17	3301262			1	PLATE-GIMBAL SC HD
18	3300526			3	BUMPER-RUBBER 1/4IDx1/8 THK
19	3400101			3	WASHER-LOCK 3/8 SPLIT
20	3400068			3	NUT-HEX 3/8-16
21	3400049			1	SCR-SOCKET HEAD,1/4-20X0.75 NYLOCK
22	3400103			1	WASHER-LOCK 1/4 SPLIT
23	3302058			1	BAR-CURB BROOM RETAINER
24	3300875			1	WELDMENT-DRIVE HUB SC BR
-	3301474			1	SUB ASSY-DRIVE SCRUB BRUSH/CURB BROOM (INCLUDES ITEMS14-18 & 23-24)
-	3307033			1	SUB-CURB BROOM (INCLUDES ITEMS 2-7 & 9-24)

NOTE: Part numbers that span more than one column apply to the models listed in the heading of the columns.

SIDE BROOM ASSEMBLY - ADJUSTMENT COMPONENTS

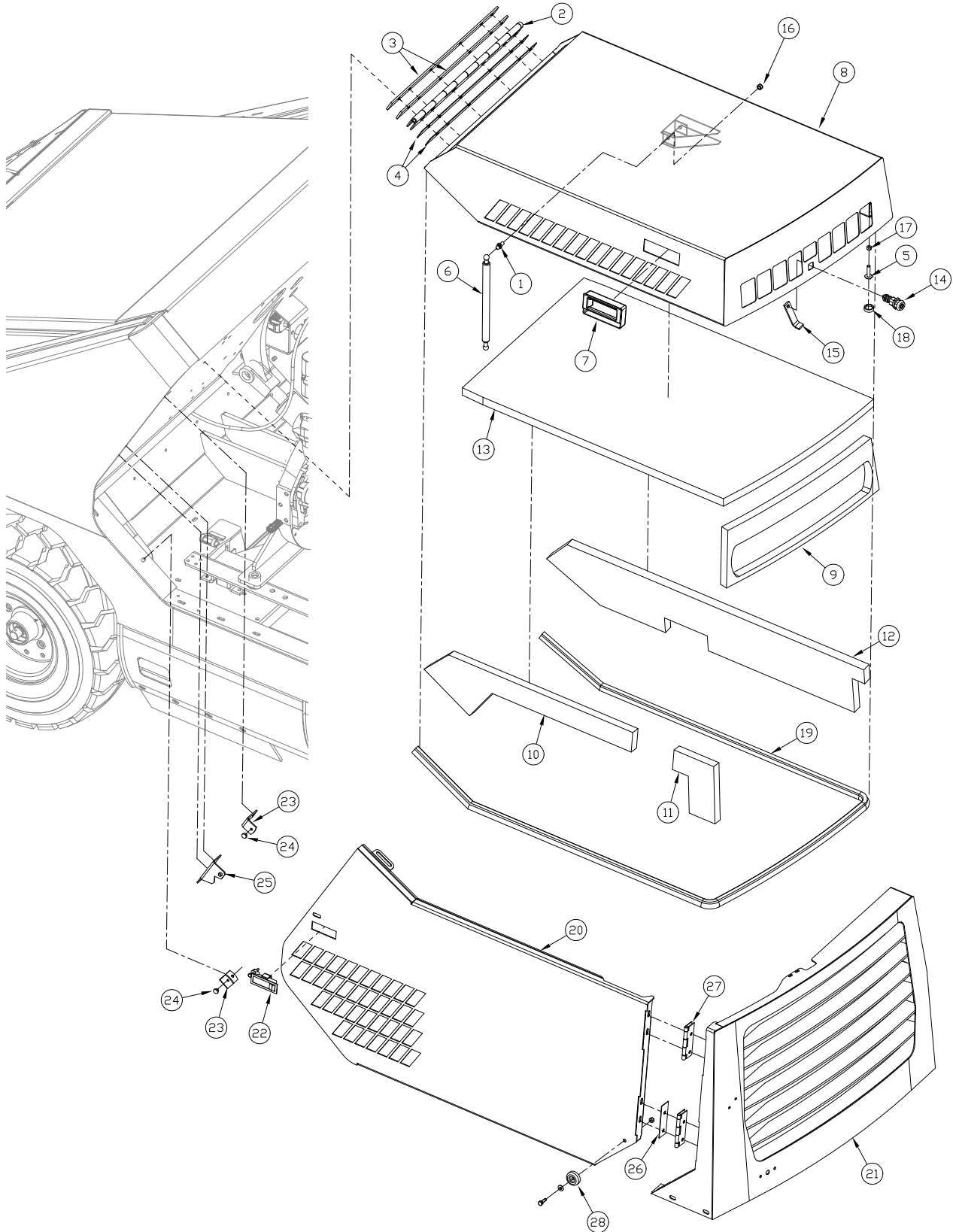



SIDE BROOM ASSEMBLY - ADJUSTMENT COMPONENTS					
ITEM	PART NO.			REQ'D	DESCRIPTION
	9XR	9XR Europe	9XV		
1	3307861			1	WELDMENT-PULLEY MOUNT #3
2	3307865			1	WELDMENT-SAFETY ARM RETAINER/PULLEY MOUNT
3	3300368			3	PULLEY-PLASTIC ϕ 2", ϕ .25" GROOVE
4	3400404	N/A	3400404	1	SCR-SET, 1/2-20X3.00
5	3400449	N/A	3400449	1	NUT-HEX JAM 1/2-20 (NOT SHOWN)
6	3307794			1	PIN-CLEVIS 1/2 X 4-1/2
7	N/A	3335904	N/A	1	ASSY- CURB BROOM ADJUSTMENT SCREW
8	N/A	3318414	N/A	1	SPRING-C0720-081-1250-S SW/72
9	N/A	3400086	N/A	1	WASHER-FLAT 1/2 STANDARD ZP

NOTE: Where N/A is indicated as the part number the item is not applicable to that particular model.

NOTE: Part numbers that span more than one column apply to the models listed in the heading of the columns.

ENGINE COVER, SIDE DOOR, LATCH & REAR GRILL

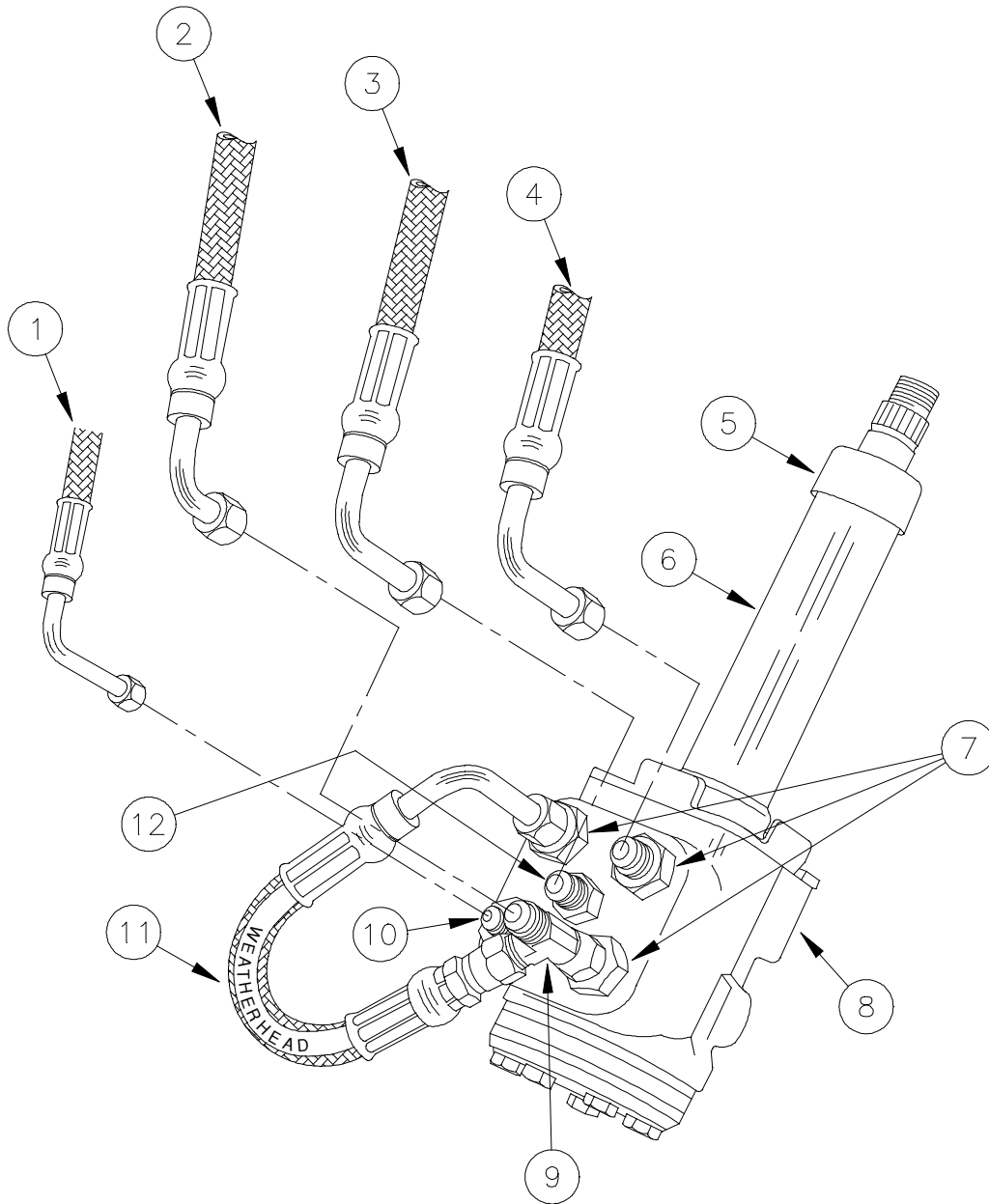


ENGINE COVER, SIDE DOOR, LATCH & REAR GRILL					
ITEM	PART NO.			REQ'D	DESCRIPTION
	9XR	9XR Europe	9XV		
1		3300376		1	STUD-BALL 10MM
2		3307503		1	HINGE ENGINE COVER
3		3307504		2	SPACER ENGINE COVER HINGE FRAME SIDE
4		3307561		2	SPACER ENGINE COVER HINGE COVER SIDE
5		3307639		1	LEVELER-5/16-18x1.5", 1" DIA,
6		3308767		1	GAS SPRING-8" STROKE
7		3335146		1	HANDLE - RECESSED NYLON INSET (.07-.13 WALL)
8		3335430		1	WELD-ENGINE COVER, ARMA (FOR OTHER MODELS PRIOR TO SN XXXXXXXX)
		3336780		1	WELDMENT - ENGINE COVER, (FOR TIER III MODELS AND OTHER MODELS AFTER TO SN XXXXXXXX)
9		3335547		1	INSULATION - ENG COVER BACK
10		3335597		1	INSULATION - ENG COVER LH FRONT PANEL
11		3335598		1	INSULATION - ENG COVER LH BACK PANEL
12		3335766		1	INSULATION - ENG COVER RT 9X
13		3335768		1	INSULATION - ENG COVER TOP 9X
14	3343048	N/A	 343048	1	LATCH, VISE ACTION, LARGE, KNOB
	N/A	3343017	N/A	1	LATCH-VISE ACTION LARGE, KEYED
15		3343066		1	PAWL-LATCH, ENG COVER
16		3400080		1	NUT-HEX 5/16-18 ES
17		3400390		1	NUT-FLANGE LOCK 5/16-18
18		3401076		1	CAP-RUBBER, ADJ SCR
19		3500198		8.5'	SEAL - TRIM (SD-109) 90* (FOR OTHER MODELS PRIOR TO SN XXXXXXXX)
		3335331			SEAL-EDGE GASKET TIER III (FOR TIER III MODELS AND OTHER MODELS AFTER TO SN XXXXXXXX)
20		3335441		1	WELD-SIDE DOOR, (FOR OTHER MODELS PRIOR TO SN XXXXXXXX)
		3336786		1	WELDMENT - SIDE DOOR TIER III (FOR TIER III MODELS AND OTHER MODELS AFTER TO SN XXXXXXXX)
21		3335437		1	WELD-RADIATOR GUARD,
22		3300380		1	LATCH ASSY-#C2-10-301-50
23		3307515		2	STOP-90° SIDE DOOR, W/BUMPER
24		3300526		2	BUMPER-RUBBER 1/4IDx1/8 THK
25		3307529		1	WELDMENT-DOOR STRIKE
26		3307560		-	SPACER-METAL, 0.060" THK SIDE DOOR (USE AS REQUIRED)
27		3307513		2	HINGE-SIDE DOOR
28		3302482		1	BUMPER-RUBBER, 1.5" DIA, 5/8 THK

NOTE: Where N/A is indicated as the part number the item is not applicable to that particular model.

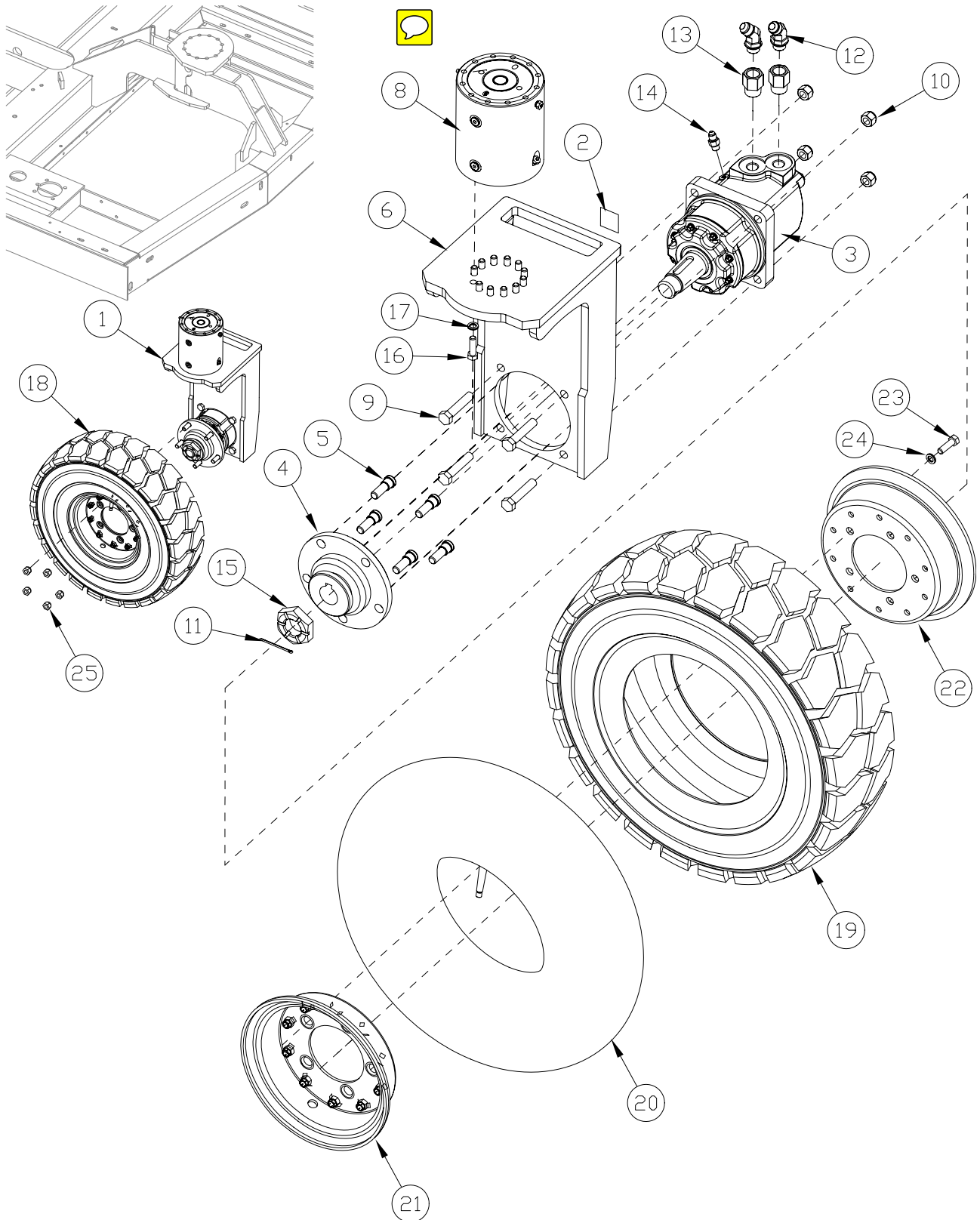
NOTE: Part numbers that span more than one column apply to the models listed in the heading of the columns.


HYDRAULIC HOSES, STEERING UNIT, & COLUMN



HYDRAULIC HOSES, STEERING UNIT, & COLUMN					
ITEM	PART NO.			REQ'D	DESCRIPTION
	9XR	9XR Europe	9XV		
1		3307687		1	HOSE-1/4 AR 151.00 ST#4 90L#4
2		3316449		1	HOSE-3/8 AR 105.00" LONG ST#6 90° S#6
3		3316440		1	HOSE-3/8 AR 105.00" LONG ST#6 90° #6
4		3316336		1	HOSE-3/8 AR 105.00" LONG ST#6 90° #6
5		3324015		1	BOOT-STEERING COLUMN RUBBER
6		3316900		1	STEERING COLUMN-POWER STEERING
7		3400648		3	FTG-ADAPTER ST THD 3/4-16 TO #6
8		3321433		1	STEERING UNIT-HYD POWER BEYOND
9		3400851		1	FTG-TEE (6R6X-S)
10		3400150		1	FTG-STR 3/4-16 TO #4
11		3334159		1	HOSE-3/8 AR 10.00" LONG ST#6 90L#6
12		3400635		1	FTG-ADAPTOR CONNECTOR 9/16-18

REAR DRIVE ASSEMBLY

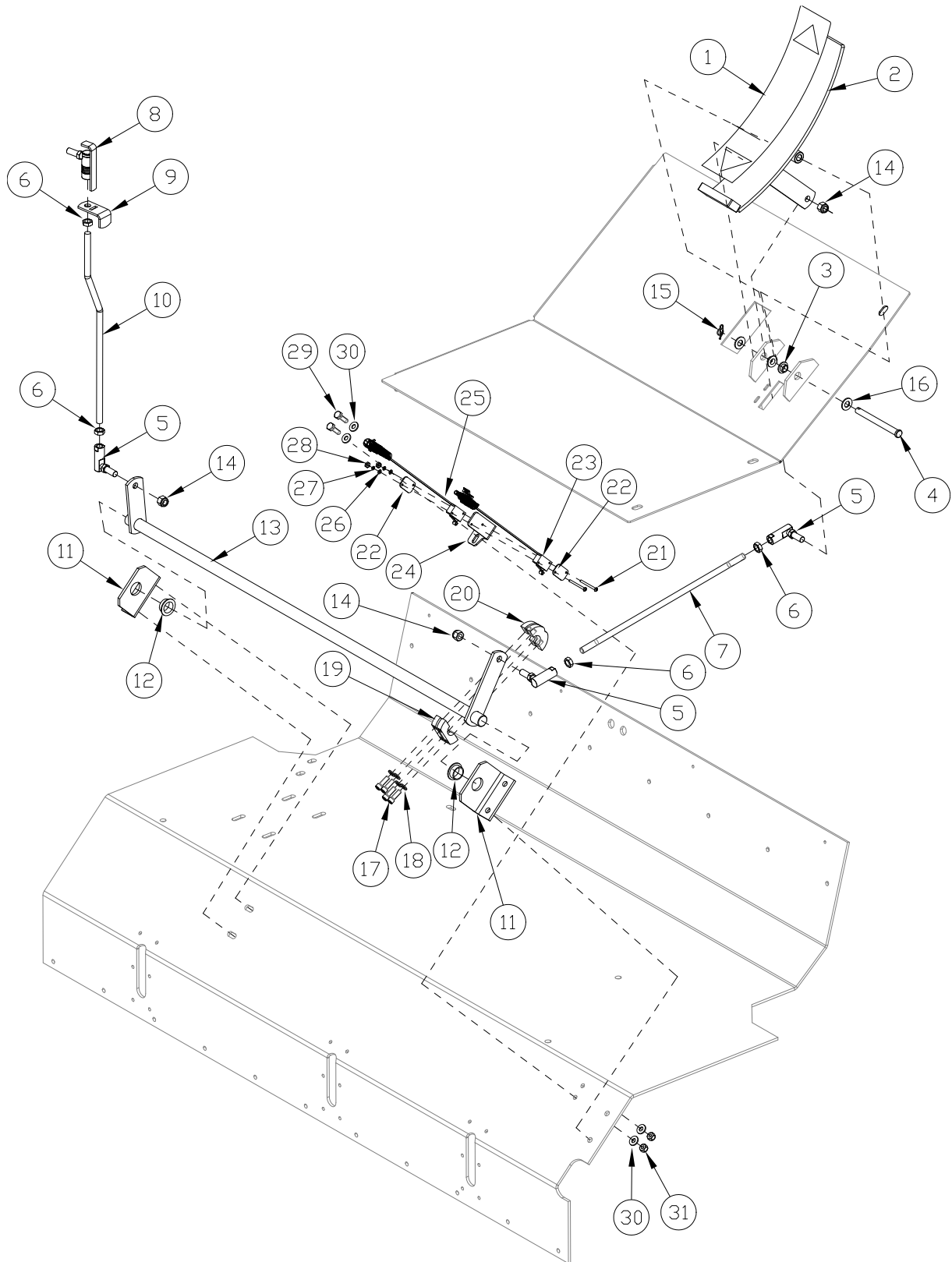



REAR DRIVE ASSEMBLY					
ITEM	PART NO.			REQ'D	DESCRIPTION
	9XR	9XR Europe	9XV		
1	3321423			1	ASSEMBLY-REAR STEERING FORK SUB (INCLUDES 2 THRU 17) (BEGINING WITH SN-18254079)
2	3303495			1	DECAL-QUALITY CHECK, VINYL 
3	3306809			1	MOTOR-HYD 4000 SER.
4	3307347			1	HUB-REAR
5	3307348			5	STUD-WHEEL, 1/2-20x1.63 (REAR)
6	3321409			1	WELD-REAR STRG FORK, HELAC
7	3334361			1	GREASE-14 OZ AQUA SHIELD 109
8	3335730			1	ACTUATOR - ROTARY, 180°, W/ GREASE FTG
9	3400019			4	SCR-HEX, 1/2-13X2.50
10	3400078			4	NUT-HEX 1/2-13 ES
11	3400122			1	PIN-COTTER 1/8 X 2.00
12	3400158			2	FTG-45° 7/8-14 TO #8
13	3400168			2	FTG-ADAPTER 1 1/6-12 EXT TO
14	3400212			1	FTG-ADAPTER 7/16-20 TO # 4
15	3400224			1	NUT-HEX SLOTTED 1 1/4-18 (SP
16	3401087			12	SCR-HEX 3/8-16X1.25LG GR8
17	3401570-9			12	WASHER-NORD-LOCK, 3/8,
18	3335643			1	WHEEL ASSEMBLY (INCLUDES ITEMS 19-24)
19	3307256			1	TIRE-PNEUMATIC 690 X 9
20	3307257			1	TUBE-TIRE 600 X 9
21	3307258			1	RIM-REAR INNER
22	3335720			1	RIM-DRIVE OUTER, 10 WELDED NUTS
23	3400030			10	SCR-HEX, 3/8-16X1.00
24	3100101			10	WASHER-LOCK 3/8 SPLIT
25	3300411			5	NUT-WHEEL LUG, 1/2-20 UNF

NOTE: Part numbers that span more than one column apply to the models listed in the heading of the columns.

NOTE: Item #8 requires Gease every 50 hrs. and can not be pressure washed.

DIRECTIONAL CONTROL LINKAGE ASSEMBLY

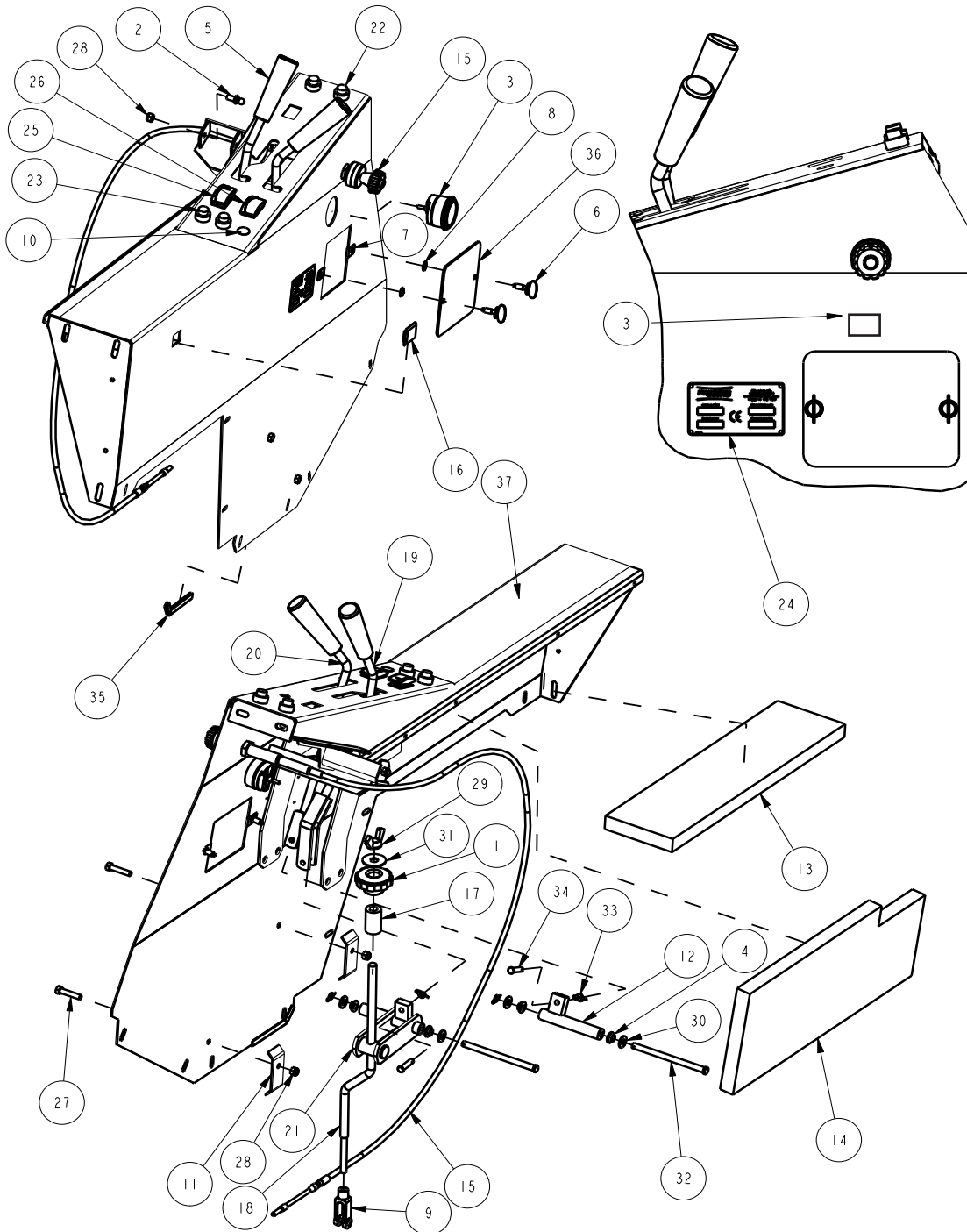


DIRECTIONAL CONTROL LINKAGE ASSEMBLY					
ITEM	PART NO.			REQ'D	DESCRIPTION
	9XR	9XR Europe	9XV		
1	3300544			1	PAD-FOOT PEDAL
2	3300737			1	FOOTPEDAL
3	3300414			2	BUSHING-PLASTIC FLANGED, .375IDx.50OD
4	3400114			1	PIN-CLEVIS, 3/8x4
5	3300461			2	BALL JOINT-3/8-24
6	3400075			4	NUT-JAM, 3/8-24
7	3307222			1	ROD-DIRECTIONAL CONTROL, DIESEL
7	3307221			1	ROD-DIRECTIONAL CONTROL, GAS/LP (NOT SHOWN)
8	3307611			1	QUICK RELEASE- FWD/REV
9	3307613			1	HANDLE-QUICK RELEASE
10	3307938			1	ROD-DIRECTIONAL CONTROL DIESEL
	3316228			1	ROD-DIRECTIONAL CONTROL GAS/LP (NOT SHOWN)
11	3307223			2	MOUNT-DIRECTIONAL CONTROL BUSHING
12	3307220			2	BUSHING-PLASTIC FLANGED, .76IDx.88OD
13	3307215			1	DIRECTIONAL TORQUE TUBE
14	3400342			4	NUT-HEX 3/8-24 ES ZP
15	3400125			1	PIN-COTTER 3/8 RUE-RING
16	3400087			1	WASHER-FLAT 3/8 STANDARD ZP
17	N/A	3401044	N/A	2	SCR BH 1/4-20 X 1.0 LG
18	N/A	3400103	N/A	2	WASHER-LOCK 1/4 SPLIT ZP
19	N/A	3335222	N/A	2	CAM-SWITCH, LOWER, THRTL POS
20	N/A	3335223	N/A	2	CAM-SWITCH, UPPER, BACKUP
21	N/A	3401434	N/A	2	SCR-PAN,#5-40X1.5,PHL
22	N/A	3335047	N/A	2	CLAMP-SWITCH
23	N/A	3335020	N/A	1	ASSY- SWITCH LIMIT, FEMALE
24	N/A	3335560	N/A	1	MNT-SWITCH POS, FWD/REV, 1900 
25	N/A	3335526	N/A	1	ASSY- SWITCH LIMIT, MALE
26	N/A	3401444	N/A	2	WASHER-FLAT #5 ZP
27	N/A	3401510	N/A	2	WASHER-LOCK, #5, ZP
28	N/A	3401437	N/A	2	NUT-HEX#5-40 ZP
29	N/A	3400041	N/A	2	SCR-HEX,1/4-20X0.88 ZP
30	N/A	3400089	N/A	2	WASHER-FLAT 1/4 STANDARD ZP
31	N/A	3400081	N/A	2	NUT-HEX 1/4-20 ES ZP

NOTE: Where N/A is indicated as the part number the item is not applicable to that particular model.

NOTE: Part numbers that span more than one column apply to the models listed in the heading of the columns.

CONSOLE ASSEMBLY



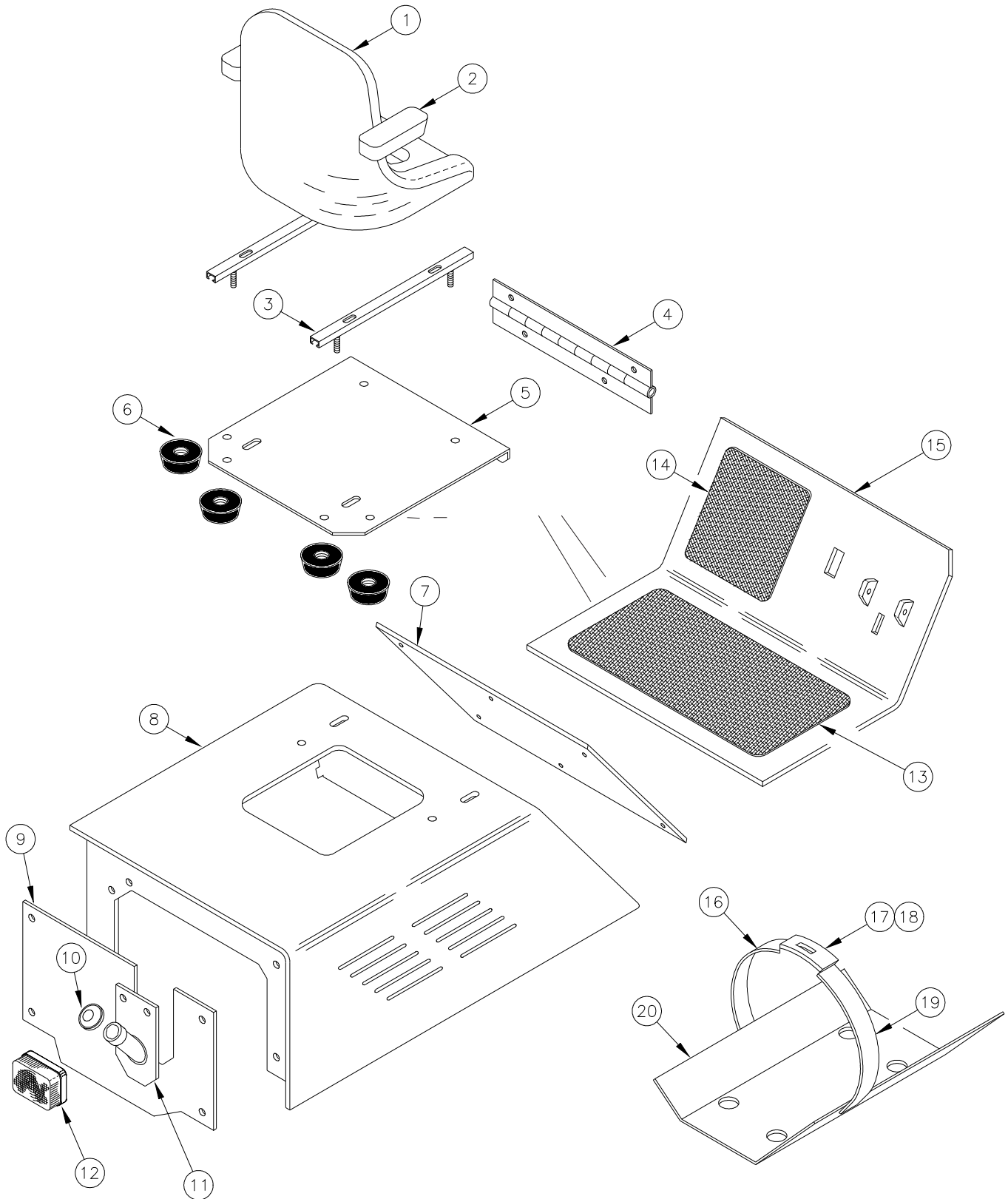
PB# 4100036 Rev 03A09

CONSOLE ASSEMBLY					
ITEM	PART NO.			REQ'D	DESCRIPTION
	9XR	9XR Europe	9XV		
1	3300352			1	KNOB-MB LIFT ADJ
2	3300376			1	STUD-BALL, GAS SPRING, 5/16-18
3	3300385	N/A	3300385	1	GAUGE-HR METER W/HEX NUT 10-24 (BEFORE SN-18168059)
	3336094			1	GAUGE-HOURMETER, DIGITAL, SNAP (AFTER SN-18168059)
4	3300414			4	BUSHING-PLASTIC 3/8IDx1/2OD
5	3300558			2	KNOB-PLASTIC TAPERED #145 BLACK
6	3301147			2	SCR-5/16 ACME THD, WING HEAD,
7	3301155			2	CLIPNUT-5/16-18
8	3301156			2	RETAINER-CAPTIVE SCREW (FOR THUMB SCR)
9	3301447			1	CLEVIS WITH PIN AND COTTER
10	3301669			1	PLUG-PLASTIC, 11/16 DIA
11	3305398			2	CLAMP-HYD HOSE, PLATED
12	3307614			1	WELD-PIVOT SB LIFT
13	3307846			1	INSULATION-CONSOLE TOP
14	3307847			1	INSULATION-DRIVER COMP SIDE
15	3321179			1	CABLE-THROTTLE (Diesel Only Special) (N/A on standard diesel)
16	3323529			1	PLUG-CARLING CONTURA SWITCH
17	3333672			1	SPACER-MB LIFT ROD
18	3334984			1	ROD-MAIN BROOM, LOWER
19	3334987			1	WELD-ROD, MAIN BROOM, UPPER
20	3335001			1	WELD-ROD, SIDE BROOM, UPPER
21	3335112			1	WELD-LIFT ARM, MAIN BROOM,
22	3335320			1	SUB-LIGHTS, RTR INDICATOR (Includes Lights & Harness)
23	N/A	N/A	3335703	1	SUB-LIGHTS, INDICATOR 9XV DSL (Incl. 2 Red Lights & Harness)
	3335321			1	SUB-LIGHTS, INDICATOR GAS/LP, Incl. 2 Red, 1 Amber Light & Harness
24	3335800	3337349	3335800	1	ID PLATE-SERIAL # INFO
25	3342273			1	COVER-SWITCH, CARLING, BLACK WITH LENS
26	3342703			1	SWITCH-ROCKER, DPDT CONTURA NO LENS (DIESEL)
	3343912			1	SWITCH-ROCKER, CONT. DPDT ON-OFF NO LENS (LPG/GAS)
27	3400033			2	SCR-HEX, 5/16-18X1.50
28	3400080			3	NUT-HEX 5/16-18 ES
29	3400084			1	NUT-WING 1/2-13
30	3400113			4	WASHER-FLAT 3/8 STANDARD
33	3400125			4	PIN-COTTER 3/8 RUE-RING
34	3400185			2	PIN-CLEVIS 5/16x1-1/4
35	3500118				EDGING-VINYL TRIM 1/8" X 250' (Sold Per Foot)
36	3307554			1	COVER BROOM ADJ
37	3335003			1	WELD-CONSOLE, DRIVER SIDE,

NOTE: Where N/A is indicated as the part number the item is not applicable to that particular model.

NOTE: Part numbers that span more than one column apply to the models listed in the heading of the columns.

SEAT, FLOOR PAN & TAIL LIGHT

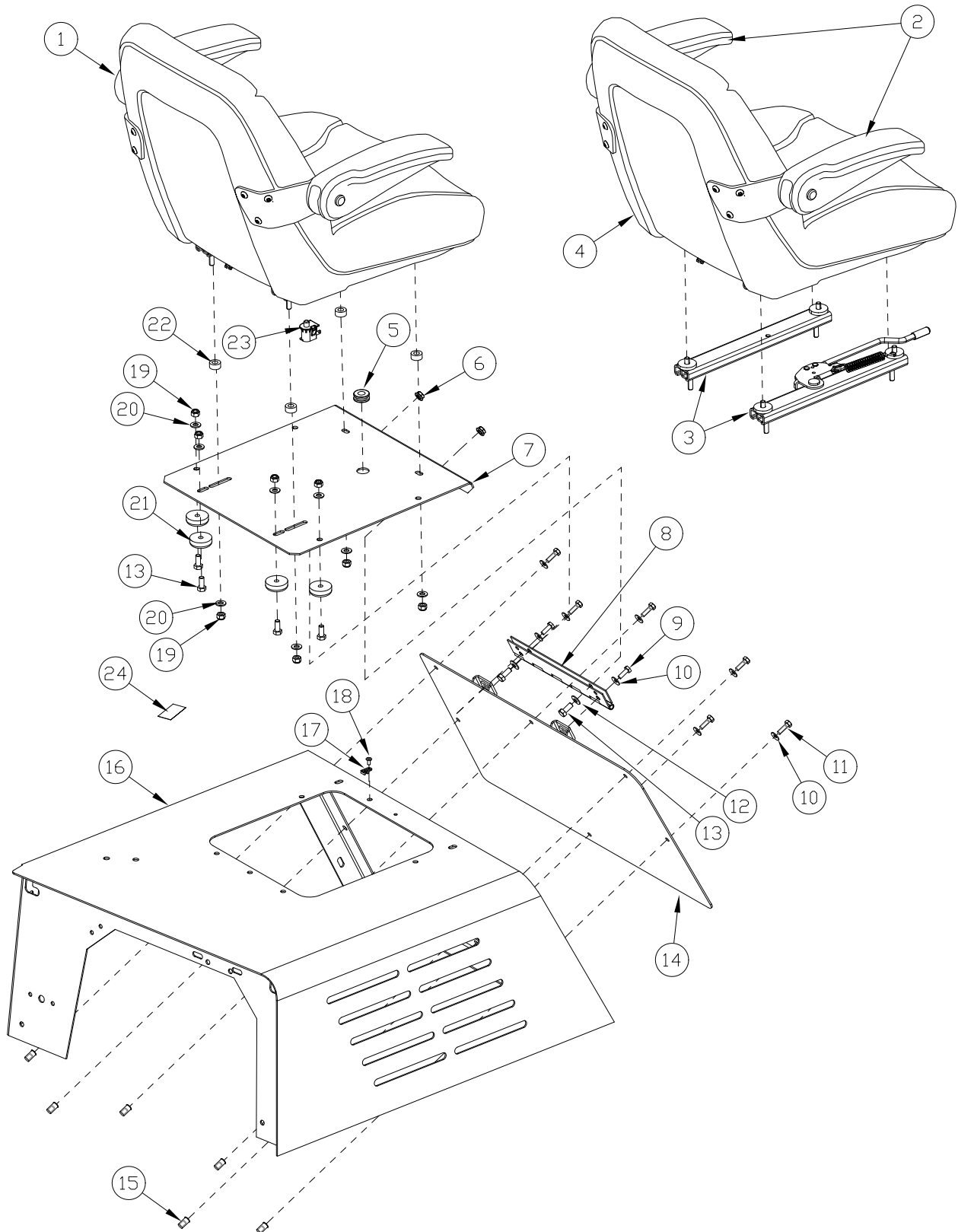


SEAT, FLOOR PAN & TAIL LIGHT					
ITEM	PART NO.			REQ'D	DESCRIPTION
	9XR	9XR Europe	9XV		
1	3312417	N/A	3312417	1	ASSEMBLY-SEAT V818 ADJ W/ARMREST
2	3315245	N/A	3315245	1	ARMREST KIT-THREE HOLE
3	3316891	N/A	3316891	1	KIT-ADJUSTABLE SEAT TRACK
4	3309028	N/A	3309028	1	HINGE-SEAT MOUNT UNIVERSAL
	N/A	N/A	3307420	1	HINGE-SEAT MOUNT LH (9XV)
	N/A	N/A	3307419	1	HINGE-SEAT MOUNT RH(9XV)
5	3333729	N/A	3333729	1	MOUNT-SEAT (9XR SHOWN)
6	3302482	N/A	3302482	4	BUMPER-RUBBER, 1.5" DIA, 5/8 THK (QTY OF 2 ON 9XV)
7	3333733	N/A	3333733	1	WELDMENT-ACCESS PLATE SEAT CLIP
8	3316902	N/A	3316902	1	WELDMENT-SEAT CLIP
9	3309716			1	PANEL-REAR COVER
10	3343413			1	CAP- FUEL TANK w/TETHER
11	3335386			1	WELD-FUEL FILL
12	3303204			2	LIGHT-COMBINATION TAIL, 12V
13	3307588			1	FLOOR MAT-LARGE
14	3307587			1	FLOOR MAT-SMALL
15	3307302			1	WELDMENT-FLOOR PAN
16	3334346	N/A	3334346	1	STRAP-LATCH MOUNT LP TANK
17	281075	N/A	281075	1	LATCH-
18	3334347	N/A	3334347	1	MOUNT-LP LATCH KEEPER
19	3334345	N/A	3334345	1	STRAP-CATCH MOUNT LP TANK
20	3334344	N/A	3334344	1	WELD-LPG TANK MOUNT,
-	3307912	N/A	3307912	1	ASSEMBLY-LP TANK MOUNT SUB, (INCLUDES 16, 17, 18, 19 & 20)

NOTE: Where N/A is indicated as the part number the item is not applicable to that particular model.

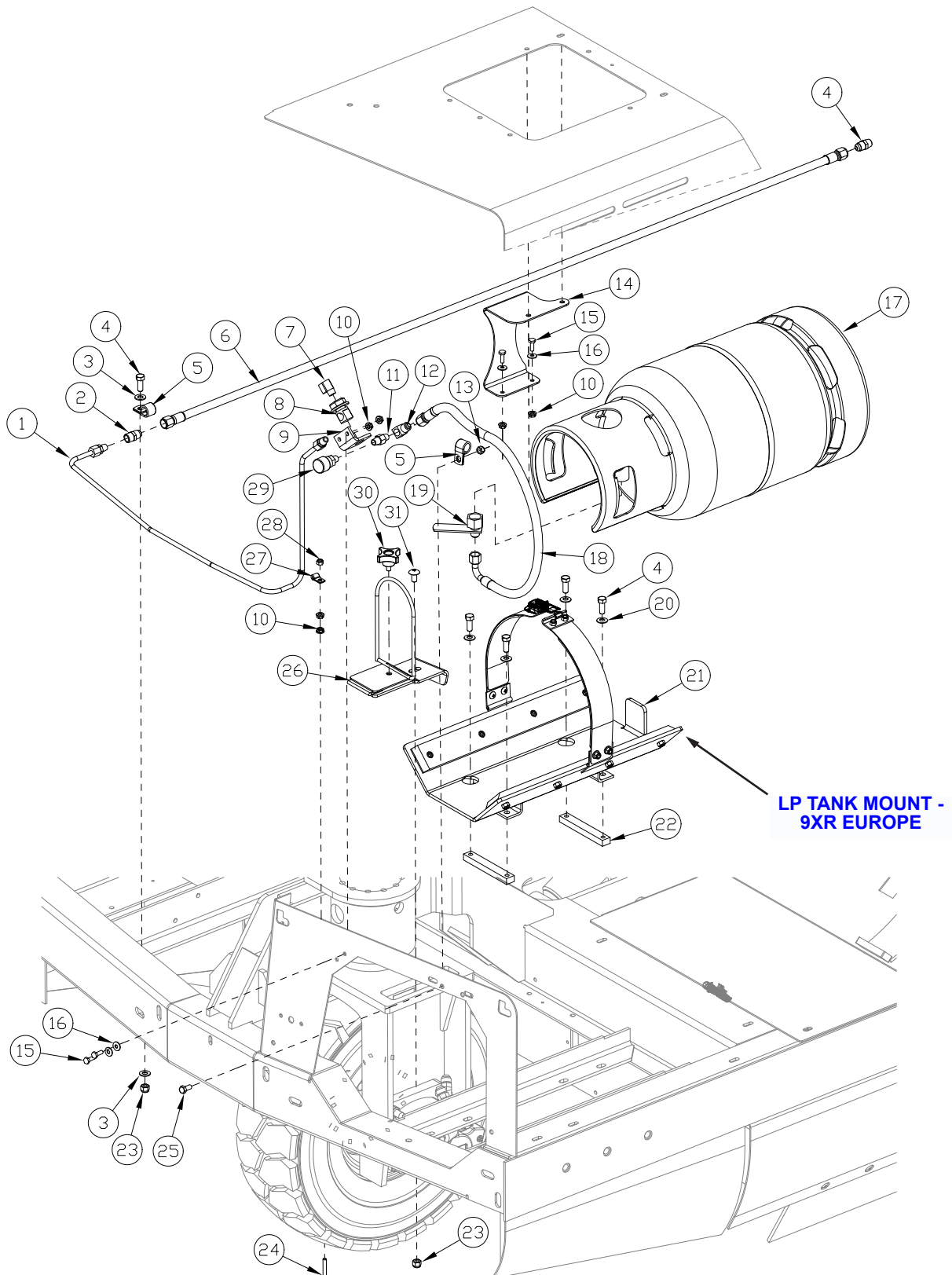
NOTE: Part numbers that span more than one column apply to the models listed in the heading of the columns.

SEAT ASSEMBLY 9XR EUROPE



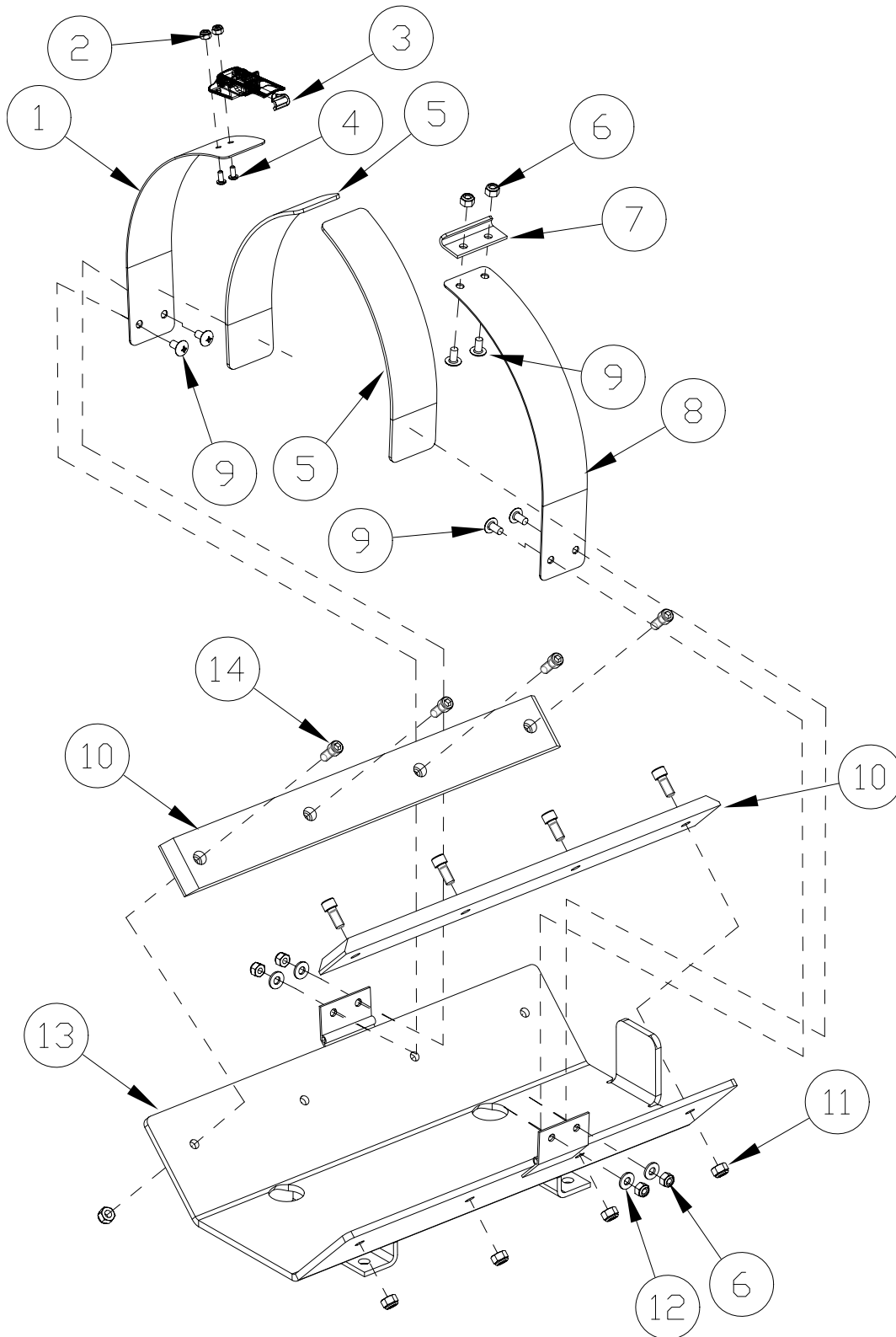
SEAT ASSEMBLY 9XR EUROPE			
ITEM	PART NO.	REQ'D	DESCRIPTION
	9XR Europe		
1	3312417	1	ASSY- SEAT V818 ADJ W/ARMREST (includes items 2 through 4)
2	3343777	2	ASSY-ARMREST SEAT 3343778(MICHI: 16876 & 16877)
3	3316891	1	KIT-ADJUSTABLE SEAT TRACK
4	3343778	1	ASSY-SEAT (MICHI V-2805 SERIES)
5	3311564	1	GROMMET-RUBBER, 1/2 ID
6	3400390	2	NUT-FLANGE LOCK 5/16-18
7	3333729	1	MNT-SEAT SW/9XR
8	3335033	1	HINGE-UNIVERSAL SEAT MNT RAW
9	3400042	2	SCR-HEX,1/4-20X0.75 ZP
10	3400383	8	WASHER-CONICAL SPRING 1/4
11	3400041	6	SCR-HEX,1/4-20X0.88 ZP
12	3400384	2	WASHER-CONICAL SPRING 5/16
13	3400036	6	SCR-HEX, 5/16-18x0.75 ZP
14	3333733	1	PLATE-ACCESS SEAT CLIP
15	3322188	6	INSERT-1/4-20 UNC THREADED
16	3335027	1	CLIP, 9X
17	3302472	1	MOUNT-WIRE TIE LOW PROFILE
18	3400484	1	RIVET-AVDEL 3/16 X .602
19	3400080	8	NUT-HEX 5/16-18 ES ZP
20	3400088	8	WASHER-FLAT 5/16 IDx.688 ODx.065 THK
21	3302482	4	BUMPER-RUBBER, 1.5" DIA, 5/8 THK
22	3301085	4	SPACER-FRONT BUMPER PLTD
23	3343783	1	SWITCH - SAFETY SNAP MOUNT N/O REF. 3342103
24	3303495	1	DECAL-QUALITY CHECK, VINYL

LP TANK HOSES AND FITTINGS - 9XR EUROPE



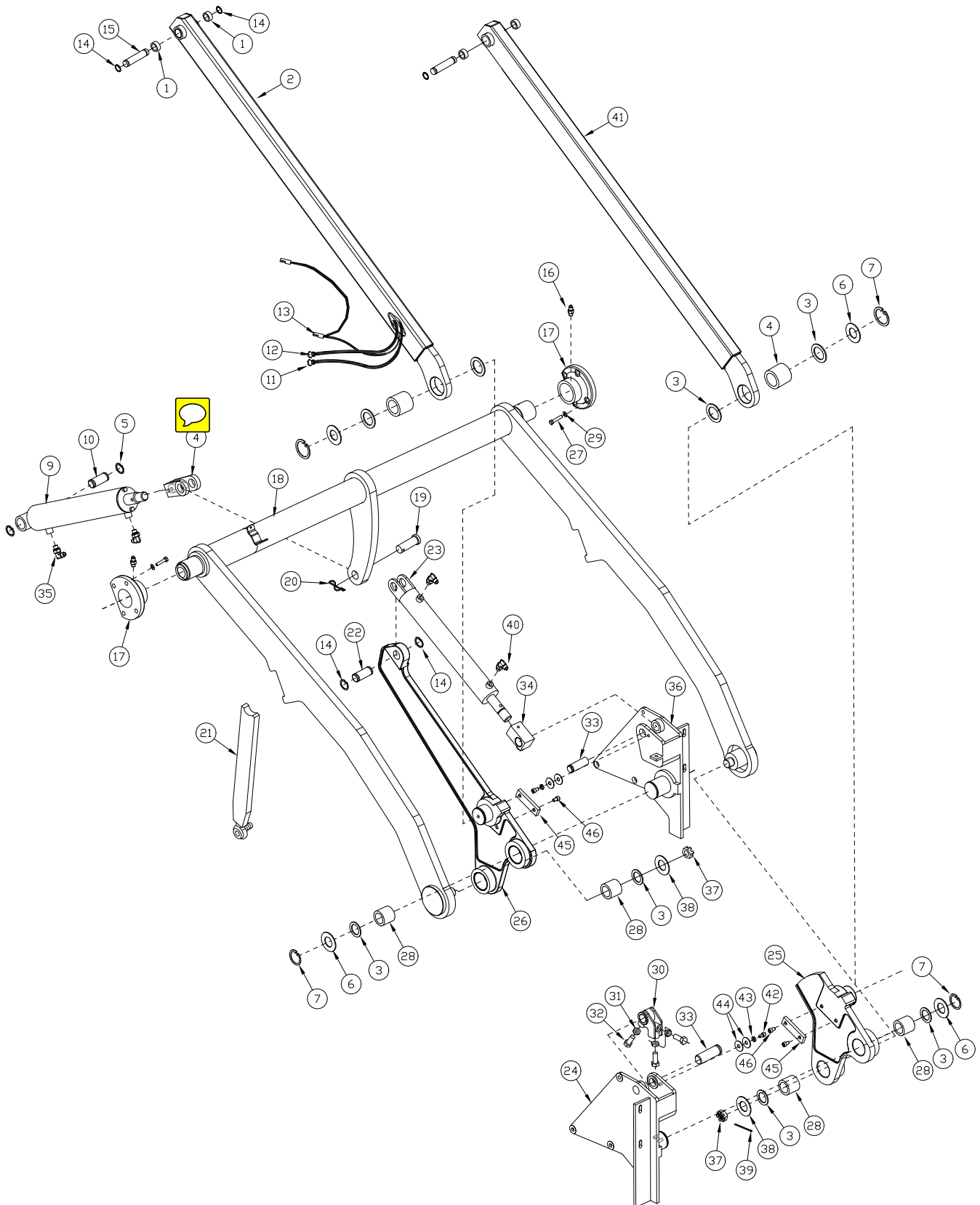
LP TANK HOSES AND FITTINGS - 9XR EUROPE			
ITEM	PART NO.	REQ'D	DESCRIPTION
	9XR Europe		
1	3335891	1	ASSY-LPG FUEL LINE, HARD TUBE
2	3401025	1	FTG-LP FILTER 46 X 6
3	3400087	2	WASHER-FLAT 3/8 STANDARD ZP
4	3400030	5	SCR-HEX,3/8-16X1.00 ZP
5	3301158	2	CLAMP-CABLE 3/4
6	3335978	1	HOSE-LP FUEL, 5/16"ID X 11/16"OD X 77" LG
7	3400260	1	FTG-90 ELL 1¼ MPT TO 1¼ FPT
8	3316511	1	BULKHEAD-62 LP
9	3307934	1	MNT-LPG SAFETY VALVE PNTD
10	3400063	6	NUT-FLANGE LOCK 1/4-20 ZP
11	3342629	1	FTG-1/4NPTx1/4NPT LPG CHECK VALVE
12	3401455	1	FTG-90°, 1/4"NPT F x 3/8 SAE M
13	3400080	1	NUT-HEX 5/16-18 ES ZP
14	3335912	1	BRKT-SUPPORT, HYDR FULL NECK
15	3400042	4	SCR-HEX,1/4-20X0.75 ZP
16	3400383	4	WASHER-CONICAL SPRING 1/4
17	220400	1	NLA---PROPANE TANK EUROPE
18	3335889	1	HOSE-LP FUEL, 5/16 ID X 11/16 OD X 28" LG
19	3342983	1	FTG-HAKO, LP BOTTLE 3/8 SAE X M20
20	3400385	4	WASHER-CONICAL SPRING 3/8
21	3335979	1	ASSY- TANK MOUNT LPG PNTD, GERMAN
22	3307931	2	RETAINER-LP TANK MNT
23	3400079	2	NUT-HEX 3/8-16 ES ZP
24	3401518	1	SCR-HEX, TAP 1/4-20X2.00 ZP
25	3400036	1	SCR-HEX, 5/16-18x0.75 ZP
26	3335929	1	TANK RETAINER, LP, GERMAN
27	3301558	1	CLAMP-FUEL LINE
28	3400081	1	NUT-HEX 1/4-20 ES ZP
29	3400862	1	VALVE-LP RELIEF
30	3335980	1	KNOB-5/16-18 x .5"L THRD, 2"OD, 4 FLUTE
31	3402066	1	TRUSS HD SCR-3/8-16 X .75 PH

LP TANK MOUNT - 9XR EUROPE



LP TANK MOUNT - 9XR EUROPE			
ITEM	PART NO.	REQ'D	DESCRIPTION
	9XR Europe		
1	3336600	1	STRAP-LATCH, LP TANK MOUNT
2	711372	2	NUT-NYLOC 8-32
3	281075	1	LATCH-ZP
4	711133	2	SCR-ST-F 8 X .37 ZINC
5	3336601	2	STRAP-RUBBER LINER, LPG TANK MNT
6	3400081	6	NUT-HEX 1/4-20 ES ZP
7	3334347	1	MNT-LP LATCH KEEPER
8	3336599	1	STRAP-CATCH, LP TANKI MOUNT
9	710178	6	SCR-MC TR HD 1/4-20 X .50 ZINC
10	3335930	2	SLIDE-LP TANK, NYLON
11	3400080	8	NUT-HEX 5/16-18 ES ZP
12	3400089	4	WASHER-FLAT 1/4 STANDARD ZP
13	3336005	1	TANK MNT LPG PNTD, GERMAN
14	3400047	8	SCR-SOC,5/16-18X0.75 ZP

LIFT & ROTATION CYLINDERS, HYDRAULIC HOSES

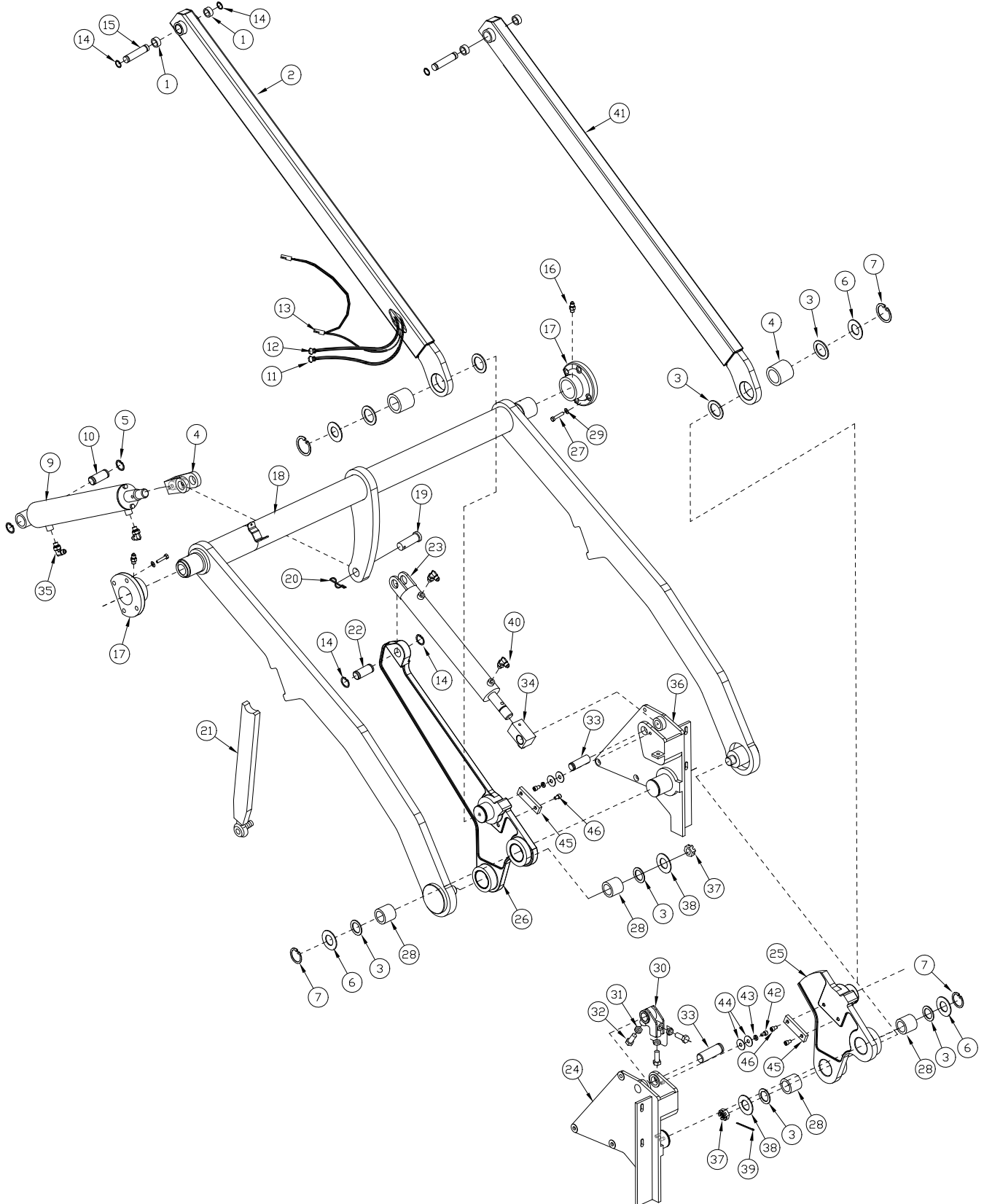


LIFT & ROTATION CYLINDERS, HYDRAULIC HOSES					
ITEM	PART NO.			REQ'D	DESCRIPTION
	9XR	9XR Europe	9XV		
1	3300837			4	BEARING-1.12 ODx1.00 IDx.75
2	3334557			1	ASSEMBLY-RH SECONDARY ARM 9XR & 9XV (Includes bearings & hoses)
	3334551			1	WELDMENT-RH SECONDARY ARM (Arm Only)
3	3400177			10	BEARING-THRUST 2.06 IDx3.25 OD
4	3300836			2	BEARING-2.18 ODx2.00 IDx.75
5	3307431			2	RING-RETAINING EXT LIFT CYL
6	3300882			6	WASHER-HD 3.25 ODx2.00 ID
7	3301709			4	RING-RETAINING, EXT 2.00 DIA
8	3301370			1	CLEVIS-HYD CYLINDER,
9	3307243			1	CYLINDER-HYD HOPPER LIFT
10	3307408			1	PIN-LOWER LIFT CYLINDER,
11	3307675			1	HOSE-HYD, 1/4 AR 98.00 ST#5 90S#4
12	3307674			1	HOSE-HYD, 1/4 AR 108.00 ST#5 90S#4
13	3332772			1	HARNESS-WIRING LIFT
14	3301998			6	RING-RETAINING, EXT .940 DIA
15	3307430			2	PIN-UPPER LIFT ARM, .998 DIA,
16	3400012			2	FTG-GREASE 3/16
17	3307605			2	ASSEMBLY-DUMP ARM MOUNT
18	3307305			1	WELDMENT-HOPPER LIFT ARM
19	3400107			1	PIN-CLEVIS 1.00 DIAx2-5/8 LG,
20	3400120			1	PIN-COTTER 5/32 DIAx2.00 LG,
21	3331359			1	ASSEMBLY-SAFETY ARM W/BALL JOINT
22	3307607			1	PIN-ROTATION CYL, .998 DIA,
23	3316890		N/A	1	CYLINDER-HYD, ROTATION SINGLE SW/9XR ONLY
	N/A	N/A	3307323	2	CYLINDER-HYD, ROTATION DUEL SW/9XV ONLY
24	3317363			1	PIVOT-HOPPER LH
25	3332416		3335363	1	HOPPER ROT. HYD CYLINDER MOUNT SUB (Includes Bearings)
	3332415		3335362	1	ARM-HOPPER ROTATION, (9XR Shown)
26	3307074			1	ASSEMBLY-RH HYD CYLINDER MOUNT, SUB (Includes Bearings)
	3317366			1	ARM-HOPPER ROTATION, ARMA RH (No Bearings)
27	3400025			8	SCR-HEX,7/16-14X1.25 ZP
28	3300840			6	BEARING-2.18 ODx2.00 IDx1.50
29	3400099			8	WASHER-LOCK 7/16 SPLIT ZP
30	3336997			1	WELD - HOPPER ROTATE STOP

NOTE: Where N/A is indicated as the part number the item is not applicable to that particular model.

NOTE: Part numbers that span more than one column apply to the models listed in the heading of the columns.

LIFT & ROTATION CYLINDERS, HYDRAULIC HOSES (CONTINUED)



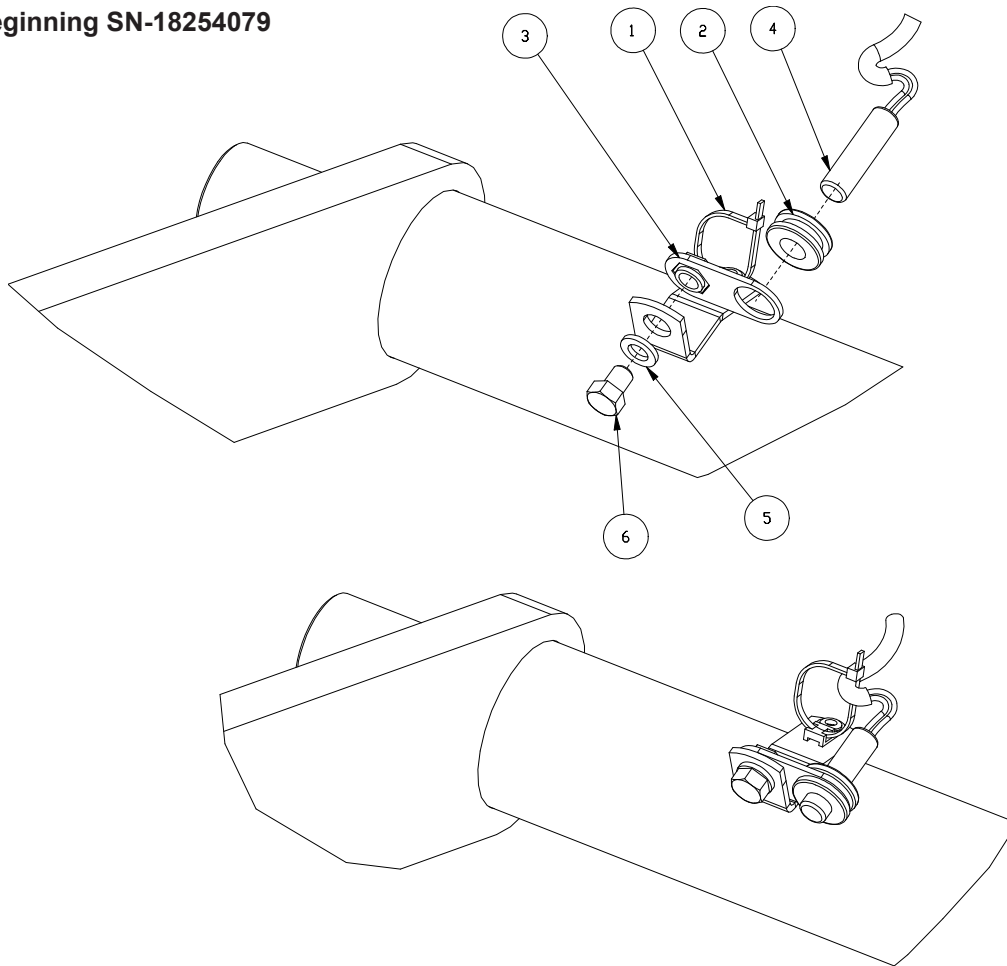
LIFT & ROTATION CYLINDERS, HYDRAULIC HOSES (CONTINUED)					
ITEM	PART NO.			REQ'D	DESCRIPTION
	9XR	9XR CE	9XV		
31	3400449			3	NUT-HEX JAM 1/2-20 ES
32	3400306			3	SCR-HEX,1/2-20X1.00 ZP
33	3307606			1	PIN-FRONT ROTATION CYL, .998 DIA,
34	3317119			1	BLOCK ROTATION RH SUB
	N/A	N/A	3317124	1	BLOCK ROTATION LH SUB (9XV Only)
35	3400152			2	FTG-90 1/2-20 TO #5
36	3317364			1	PIVOT-HOPPER RH
37	3400076			2	NUT-HEX JAM SLOTTED, 1-14
38	3300879			2	WASHER-HD 3.25 ODx1.00 ID
39	3400122			2	PIN-COTTER 1/8 X 2.00 ZP
40	3400966			2	FTG-90° #4 JICx7/16-20 ORING
41	3334496			1	LH SECONDARY ARM SW/9XR SUB (Includes Bearings)
41	N/A	N/A	3334554	1	LH SECONDARY ARM 9XV SUB (Includes Bearings & Hoses)
41	3334454			1	LH SECONDARY ARM ONLY No Bearings
41	N/A	N/A	3307664	1	HOSE-HYD, 1/4 AR 120.00 ST#5 S (Not Shown)
41	N/A	N/A	3307665	1	HOSE-HYD, 1/4 AR 104.00 ST#5 S (Not Shown)
42	3400219			2	SCR-SOC,5/16-18X0.50 ZP
43	3400102			2	WASHER-LOCK 5/16 SPLIT ZP
44	3400278			4	WASHER-FENDER 3/8 ZP
45	3336580			2	STOP-ROTATE CYL
46	3400790			4	SCREW-BHSCS .375-16 X 1

NOTE: Where N/A is indicated as the part number the item is not applicable to that particular model.

NOTE: Part numbers that span more than one column apply to the models listed in the heading of the columns.

RTR SWITCH DETAIL LIFT ARM

NOTE: Units beginning SN-18254079



RTR SWITCH DETAIL LIFT ARM					
ITEM	PART NO.			REQ'D	DESCRIPTION
	9XR	9XR Europe	9XV		
1	3302493	N/A	3302493	1	TIE-WIRE BLACK 8.00 IN.
2	3311564	N/A	3311564	1	GROMMET-RUBBER, 1/2 ID
3	3336957	N/A	3336957	1	WELD - ROTATE SWITCH EXTENSION
4	3336963	N/A	3336963	1	HARNESS - LIFT ARM, ARMA TIER
5	3400101	N/A	3400101	1	WASHER-LOCK 3/8 SPLIT
6	3400226	N/A	3400226	1	SCREW - HHM 3/8-16 X .50 LG

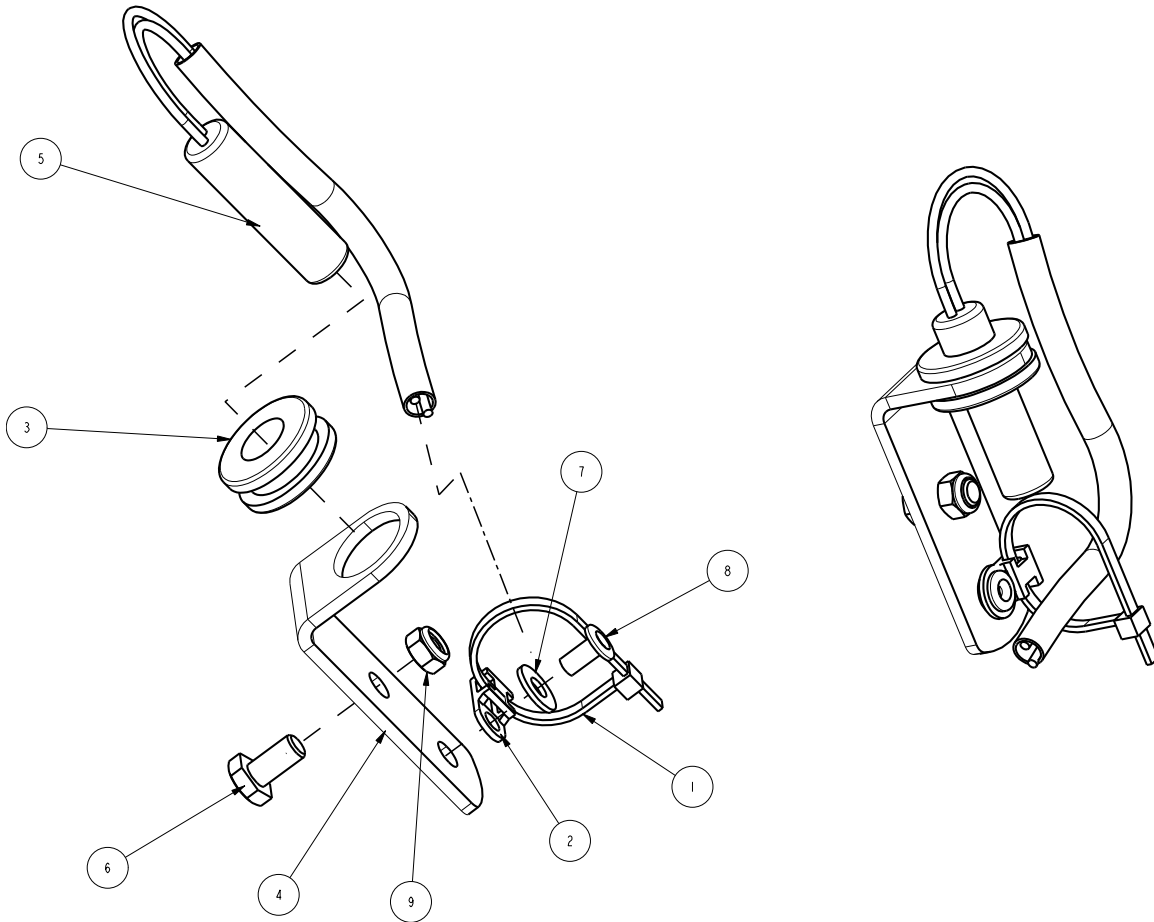
NOTE: Units before SN-18254079 Should use filed kit part number 3336961

NOTE: Where N/A is indicated as the part number the item is not applicable to that particular model.

NOTE: Part numbers that span more than one column apply to the models listed in the heading of the columns.

RTR SWITCH DETAIL HOPPER

NOTE: Units beginning SN-18254079



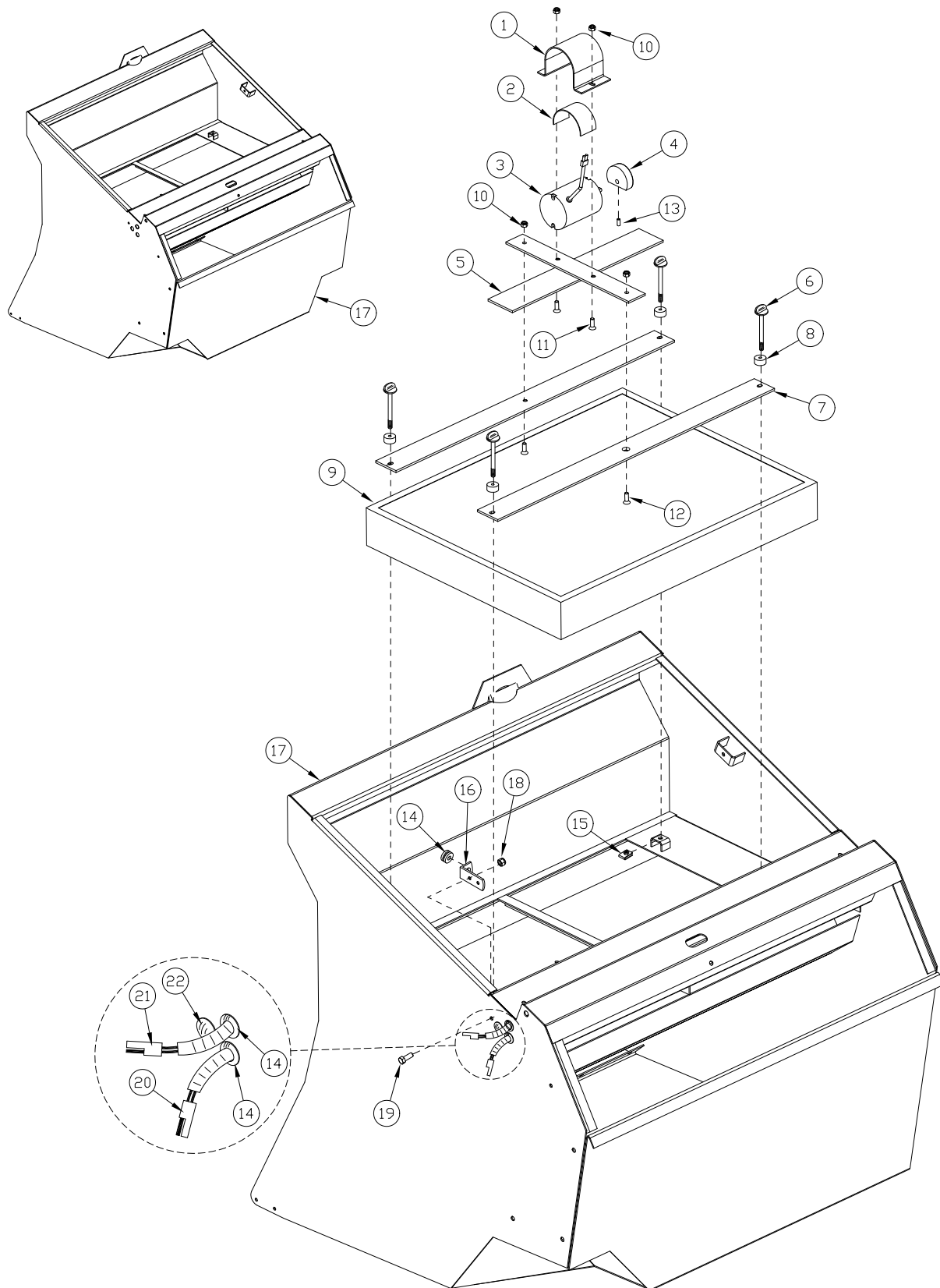
RTR SWITCH DETAIL HOPPER					
ITEM	PART NO.			REQ'D	DESCRIPTION
	9XR	9XR Europe	9XV		
1	3302493	N/A	3302493	1	TIE-WIRE BLACK 8.00 IN.
2	3302472	N/A	3302472	1	MOUNT-WIRE TIE LOW PROFILE
3	3311564	N/A	3311564	1	GROMMET-RUBBER, 1/2 ID
4	3336778	N/A	3336778	1	BRACKET - UPPER SWITCH MOUNT
5	3336964	N/A	3336964	1	HARNESS - HOPPER, ARMA TIER II
6	3400043	N/A	3400043	1	SCR-HH 1/4-20 X .50 ZINC
7	3400095	N/A	3400095	1	WASHER-FLAT #10
8	3400484	N/A	3400484	1	RIVET-AVDEL 3/16 X .602
9	3401569	N/A	3401569	1	NUT-HEX JAM 1/4-20 ES

NOTE: Units before SN-18254079 Should use filed kit part number 3336962

NOTE: Where N/A is indicated as the part number the item is not applicable to that particular model.

NOTE: Part numbers that span more than one column apply to the models listed in the heading of the columns.

HOPPER - FILTER AND SHAKER MOTOR COMPONENTS - 9XR & 9XR EUROPE



HOPPER - FILTER AND SHAKER MOTOR COMPONENTS - 9XR & 9XR EUROPE

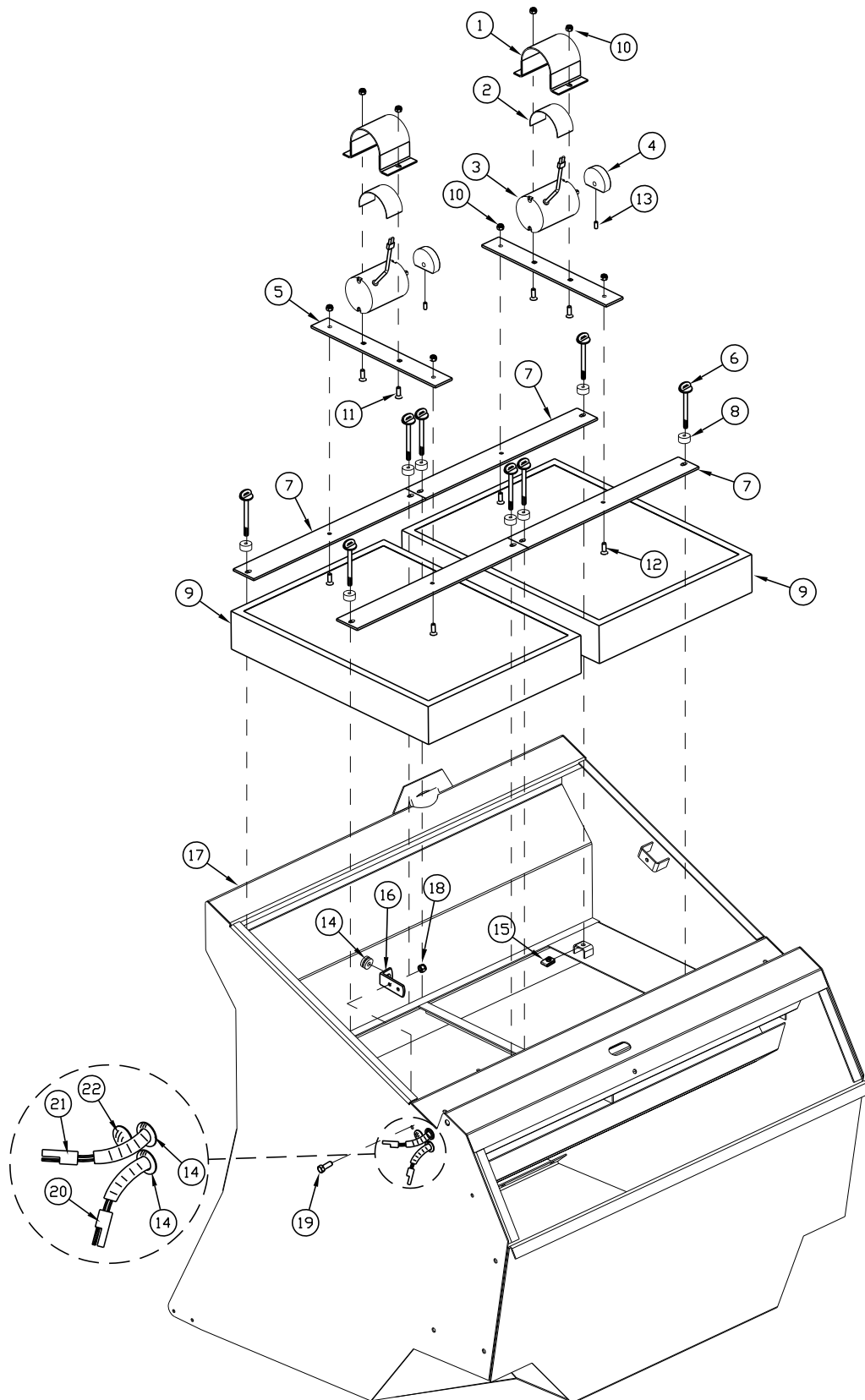
ITEM	PART NO.		REQ'D	DESCRIPTION
	9XR	9XR Europe		
1	3300915		1	RETAINER-SHAKER MOTOR
2	3300904		1	ISOLATOR-NEOPRENE, SHAKER MOTOR
3	3342894		1	MOTOR-SHAKER FILTER, 12V
4	3301053		1	WEIGHT-SHAKER MOTOR ECCENTRIC,
5	3322519		1	BAR-FILTER RETAINER
6	3400962		4	SCR-THUMB, 5/16-18x4,
7	3309724		2	BAR-FILTER SHAKER
8	3307850		4	ISOLATOR-RUBBER, .25IDx1ODx.50THK,
9	3334165		1	FILTER-POLYESTER HOPPER 9XR (31x24x3.19)
10	3400080		4	NUT-HEX 5/16-18 ES ZP
11	3400009		2	SCR-CAR,5/16-18X1.00 ZP
12	3400329		2	SCR-FLT,5/16-18X.75,SLT ZP
13	3400826		1	SCR-SOC HD CAP 1/4-28 X 1/4
14	3311564		3	GROMMET-RUBBER, 1/2 ID
-	3336964		1	SWITCH-BALL & HARNESS 12V, FOR RTR LIGHTS (Not Shown see RTR Detail)
15	3306424		4	CLIPNUT-5/16-18 FULLBODY
16	3336778		1	BRACKET- FOR SWITCH BALL (# 2 RTR LIGHT)
17	3333723	N/A	1	WELDMENT-HOPPER SW/9X
	3333916		1	HOPPER 9XR DUAL C-BRM ORANGE (OPTIONAL ON 9XR)
	3317231		1	HOPPER 9XR DUAL C-BRM, DUAL FILTER ORANGE (OPTIONAL)
	3307440		1	HOPPER 9XR SINGLE C-BRM, DUAL FILTER ORANGE (OPTIONAL ON 9XR)
	3307440-SS		1	HOPPER 9XR SINGLE C-BRM STAINLESS STEEL ORANGE (OPTIONAL ON 9XR)
19	3400081		1	NUT-HEX 1/4-20 ES ZP
20	3400042		1	SCR-HEX,1/4-20X0.75 ZP
21	3332773		1	HARNESS-RTR SENSOR, HOPPER
22	3302033		1	HARNESS-HD GROUP WIRE
23	3301669		1	PLUG-PLASTIC, 11/16 DIA

NOTE: Where N/A is indicated as the part number the item is not applicable to that particular model.

NOTE: Part numbers that span more than one column apply to the models listed in the heading of the columns.



HOPPER - FILTER AND SHAKER MOTOR COMPONENTS - 9XV

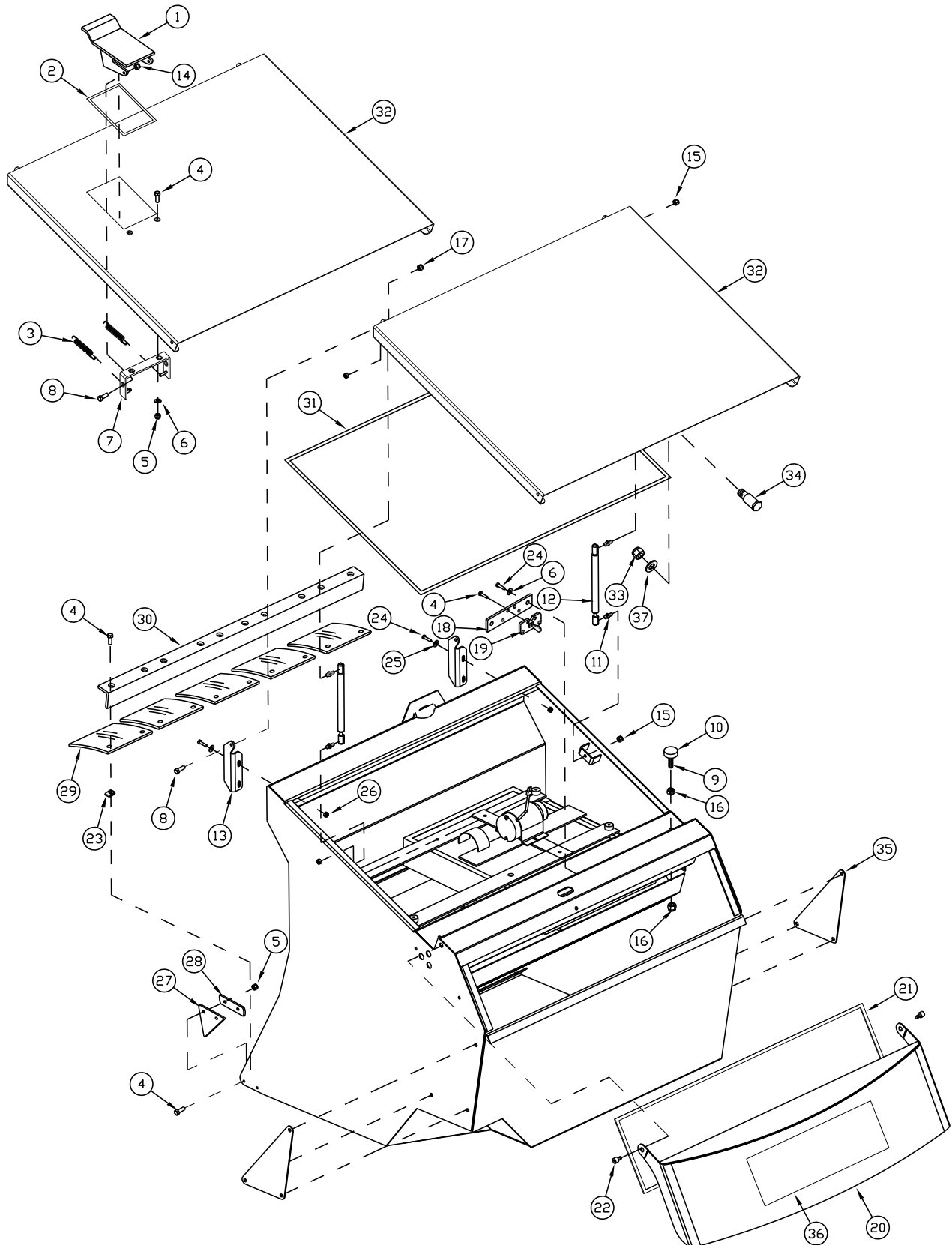


HOPPER - FILTER AND SHAKER MOTOR COMPONENTS - 9XV

ITEM	PART NO.	REQ'D	DESCRIPTION
	9XV		
1	3300915	2	RETAINER-SHAKER MOTOR
2	3300904	2	ISOLATOR-NEOPRENE, SHAKER MOTOR
3	3342894	2	MOTOR-SHAKER FILTER, 12V
4	3301053	2	WEIGHT-SHAKER MOTOR ECCENTRIC,
5	3300917	2	BAR-FILTER RETAINER
6	3400962	8	SCR-THUMB, 5/16-18x4,
7	3300919	4	BAR-FILTER SHAKER
8	3307850	8	ISOLATOR-RUBBER, .25IDx1ODx.50THK,
9	3334070	2	FILTER-POLYESTER HOPPER 9XR (31x24x3.19)
10	3400080	8	NUT-HEX 5/16-18 ES ZP
11	3400009	4	SCR-CAR,5/16-18X1.00 ZP
12	3400329	4	SCR-FLT,5/16-18X.75,SLT ZP
13	3400826	2	SCR-SOC HD CAP 1/4-28 X 1/4
14	3311564	3	GROMMET-RUBBER, 1/2 ID
-	3336964	1	SWITCH-BALL & HARNESS 12V, FOR RTR LIGHTS (Not Shown see RTR Detail)
15	3306424	8	CLIPNUT-5/16-18 FULLBODY
16	3336778	1	BRACKET- FOR SWITCH BALL (# 2 RTR LIGHT)
17	3333316	1	HOPPER 9XR DUAL C-BRM ORANGE
18	3400081	1	NUT-HEX 1/4-20 ES ZP
19	3400042	1	SCR-HEX,1/4-20X0.75 ZP
20	3332773	1	HARNESS-RTR SENSOR, HOPPER
21	3302033	1	HARNESS-HD GROUP WIRE
22	3301669	1	PLUG-PLASTIC, 11/16 DIA



HOPPER - COVERS, FLAP, AND LATCH COMPONENTS

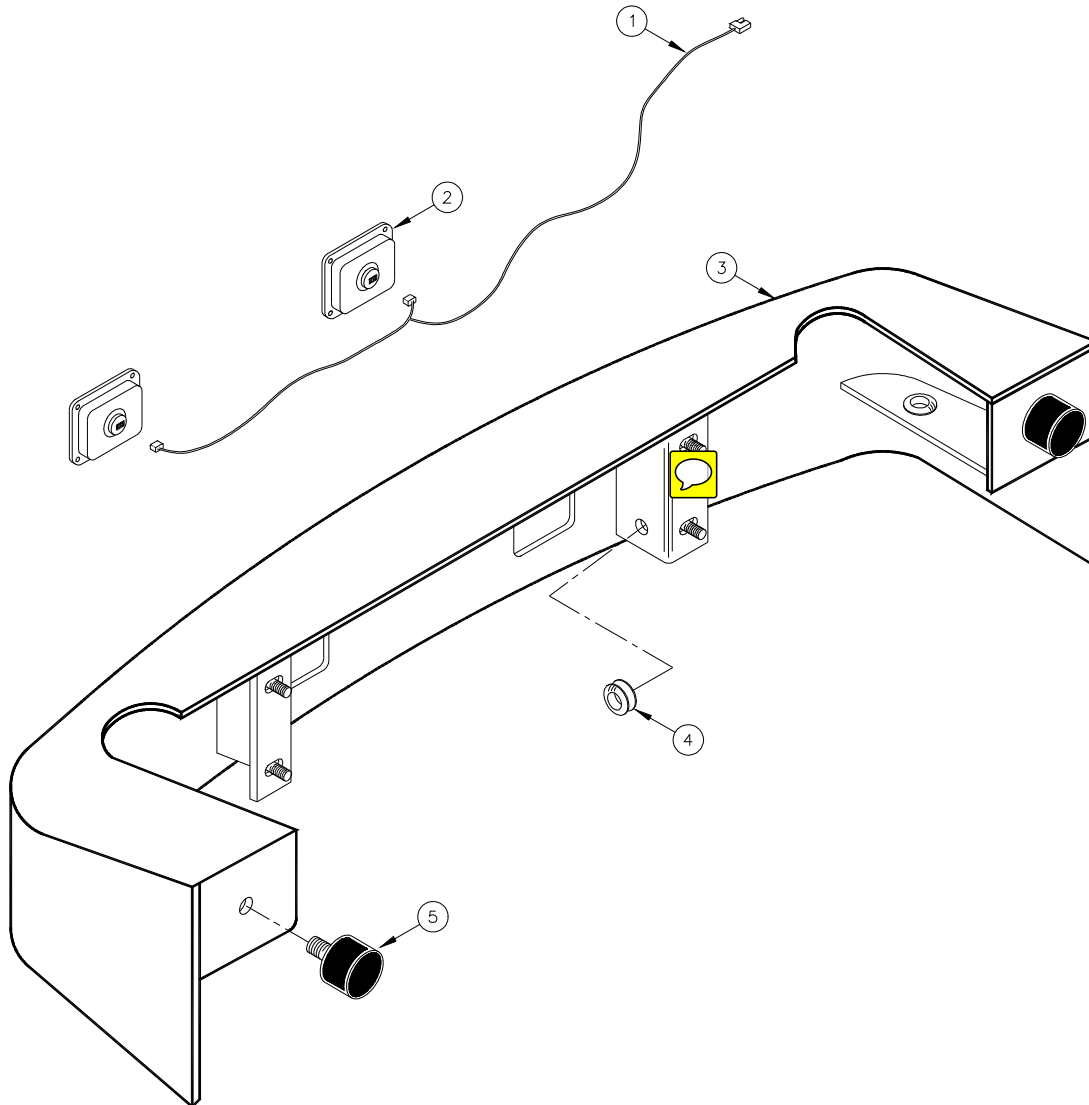


HOPPER - COVERS, FLAP, AND LATCH COMPONENTS					
ITEM	PART NO.			REQ'D	DESCRIPTION
	9XR	9XR Europe	9XV		
1	3302273	N/A	N/A	1	COVER WET SWEEP ORANGE
-	3302312	N/A	N/A	1	LATCH-WET SWEEP SPRING
2	3302317	N/A	N/A	1	GASKET-WET SWEEP
3	3304160	N/A	N/A	2	SPRING-EXTENTION, 2.00
4	3400059	N/A	N/A	22	SCR-THM 1/4-20 X .75 SS
5	3400198	N/A	N/A	2	NUT-HEX 1/4-20 SS
6	3400321	N/A	N/A	2	WASHER-LOCK-1/4 SPLIT SS
7	3302269	N/A	N/A	1	MNT-BRKT W/SW
8	3400052	N/A	N/A	2	SCR 5/16 X 1/4 SHOULDER BOLT ZP
9	3400355			2	SCR-LEVEL BOLT, 3/8-16x2.50
10	3304624			2	CAP-RUBBER BUMPER, (USED WITH #10 ABOVE)
11	3300376			4	STUD-BALL, GAS SPRING, 5/16-18 THRD, .391 DIA.
12	3305006			2	SPRING-GAS 5" STROKE, 14.5" EXTENDED (100 LBF)
13	3307469			2	HINGE-FILTER COVER, ,
14	3400081	N/A	N/A	2	NUT-HEX 1/4-20 ES ZP
15	3400070			4	NUT-HEX 5/16-18 ZP
16	3400392			2	NUT-FLANGE LOCK 3/8-16
17	3401021			2	NUT-HEX ELASTIC JAM 1/4-20 #8 ZP
18	3307468			1	BAR-FILTER LATCH, ,
19	3307247			1	LATCH-RH BROOM DOOR
20	3333726		3316862	1	HOPPER LID SW/9X ORANGE
21	3318739			120"	WEATHERSTRIPPING-RUBBER SPONGE
22	3400170			2	SCR-HSS 1/2x.31,
23	3301146			10	CLIPNUT-1/4-20 ZP
24	3400036			4	SCR-HEX, 5/16-18x0.75 ZP
25	3400384			4	WASHER-CONICAL SPRING 5/16
26	3400390			4	NUT-FLANGE LOCK 5/16-18
27	3307842			2	FLAP-HOPPER SIDE
28	3307843			2	RETAINER-FLAP HOPPER SIDE
29	3307720			5	FLAP-HOPPER FRONT
30	3307721			1	RETAINER-HOPPER FLAP
31	3500198			134"	SEAL-TRIM 90 DEG. MOUNT
32	3333724	3307460		1	HOOD HOPPER ORANGE
33	3400394			1	NUT-FLANGE LOCK 7/16-14
34	3307248			1	BOLT-STRIKER BROOM DOOR LATCH
35	3307743			2	PLATE HOPPER BACKING
36	3307581			1	DECAL-"POWERBOSS" LOGO
37	3400386			1	WASHER-CONICAL SPRING 7/16

NOTE: Where N/A is indicated as the part number the item is not applicable to that particular model.

NOTE: Part numbers that span more than one column apply to the models listed in the heading of the columns.

FRONT BUMPER ASSEMBLY

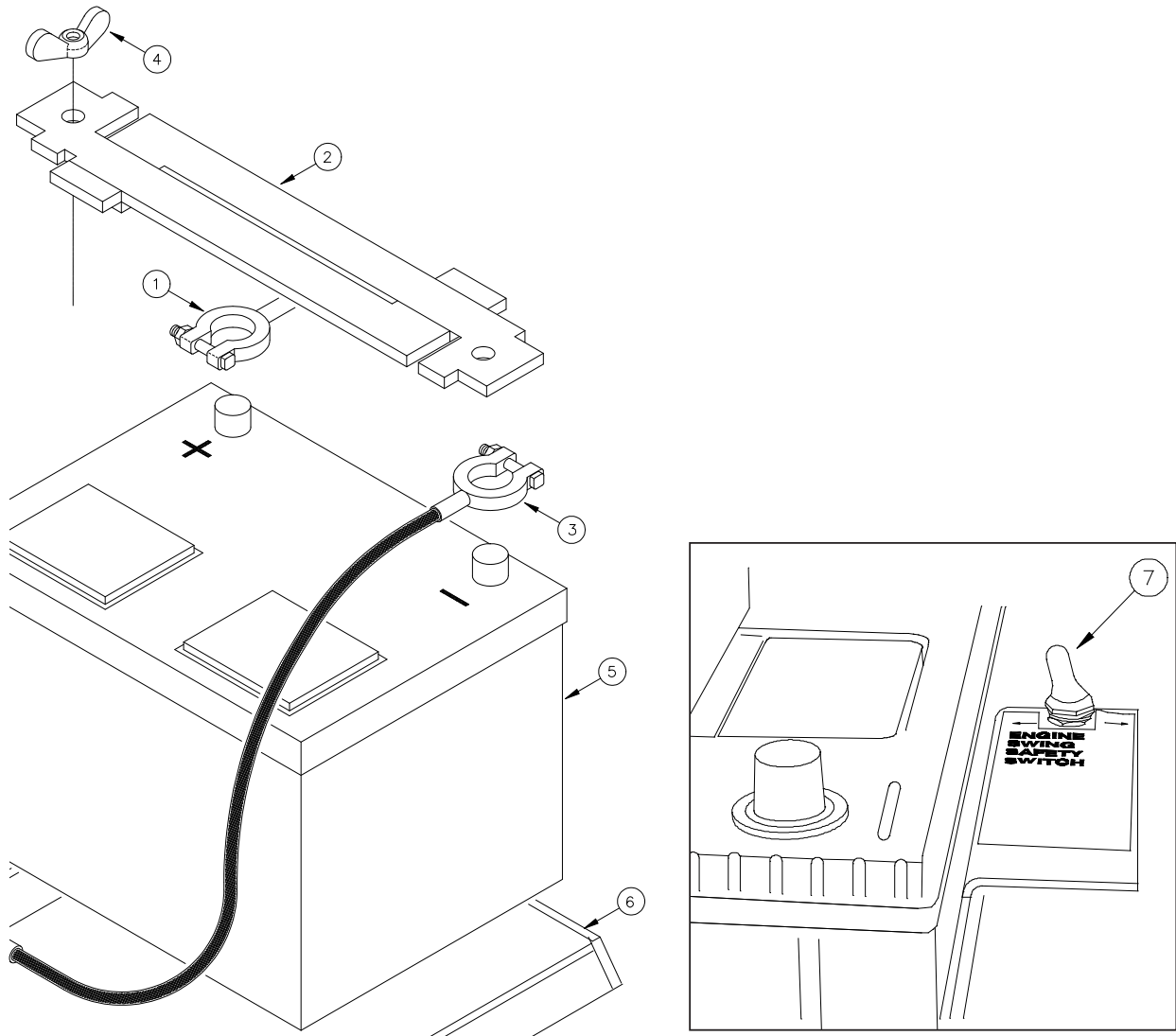


FRONT BUMPER ASSEMBLY					
ITEM	PART NO.			REQ'D	DESCRIPTION
	9XR	9XR Europe	9XV		
1		3335094		1	HARNESS-FRONT BUMPER HEADLIGHT
2		3315839		2	HEADLIGHT-HALOGEN 12V, FLUSH MOUNT
-		3315869		-	BULB-HALOGEN REPLACEMENT (NOT SHOWN)
3		3316865		1	BUMPER-WELDMENT FRONT
4		3311564		2	GROMMET-1/2" ID RUBBER
5		3316871		2	BUMPER-RUBBER, 1.50" DIA

NOTE: Where N/A is indicated as the part number the item is not applicable to that particular model.

NOTE: Part numbers that span more than one column apply to the models listed in the heading of the columns.

BATTERY COMPONENTS

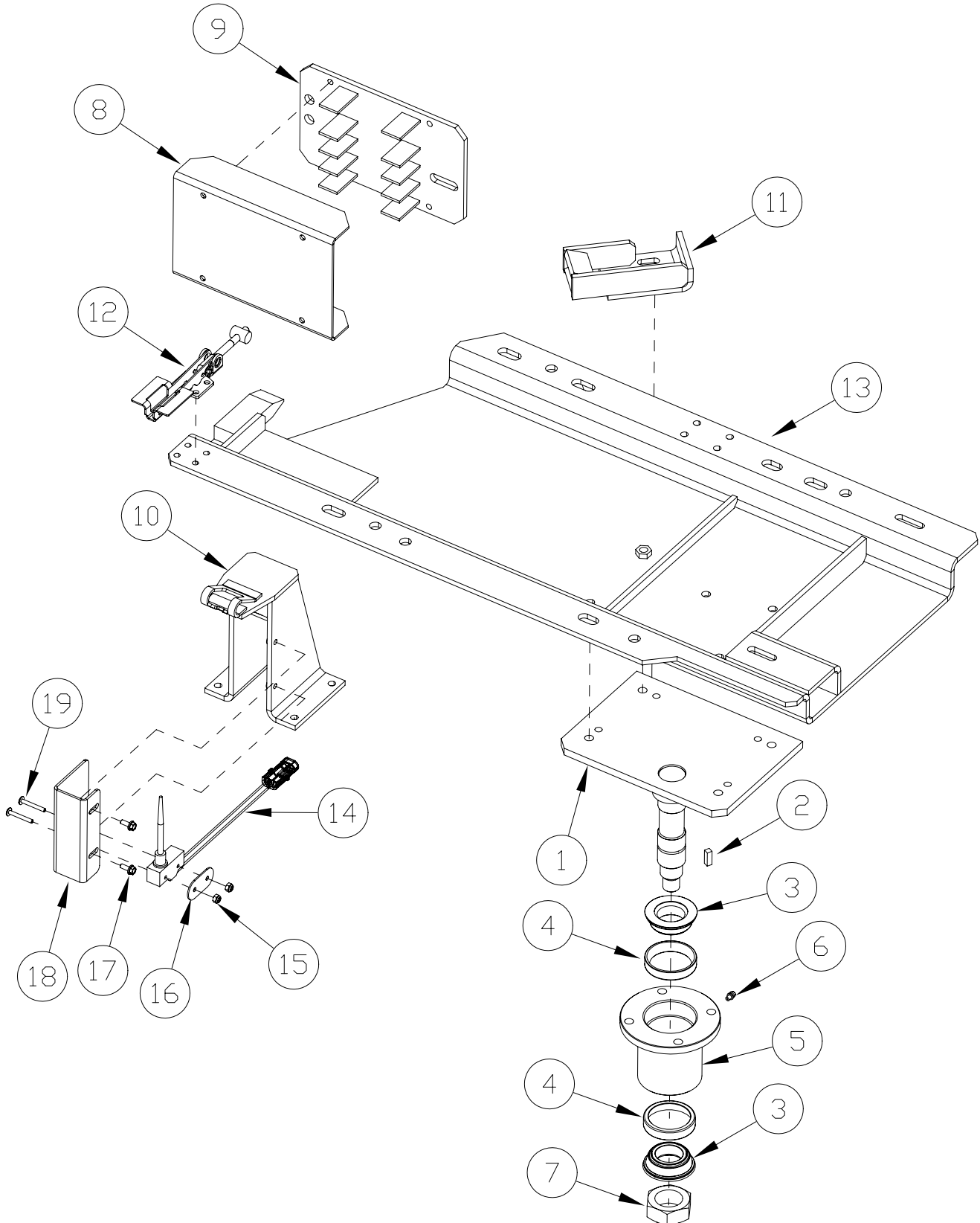


BATTERY COMPONENTS					
ITEM	PART NO.			REQ'D	DESCRIPTION
	9XR	9XR Europe	9XV		
1		3307939		1	CABLE-BATTERY POSITIVE DIESEL ENGINE
		3307633			CABLE-BATTERY POSITIVE GAS AND LP ENGINE
2		3301076		1	HOLD DOWN-BATTERY 2-PIECE
3		3307634		1	CABLE BATTERY NEGATIVE
4		3400085		2	NUT-WING 1/4-20
5		3300440		1	BATTERY-GAS/LP/DIESEL, 12V, 650 CCA, 125 MIN RESERVE
6		3321296		1	WELD-BATTERY BOX
7	3329812	N/A	3329812	1	SWITCH-TOGGLE SPDT

NOTE: Where N/A is indicated as the part number the item is not applicable to that particular model.

NOTE: Part numbers that span more than one column apply to the models listed in the heading of the columns.

ENGINE PAN, HYDRAULIC HOSE RETAINER & LATCH

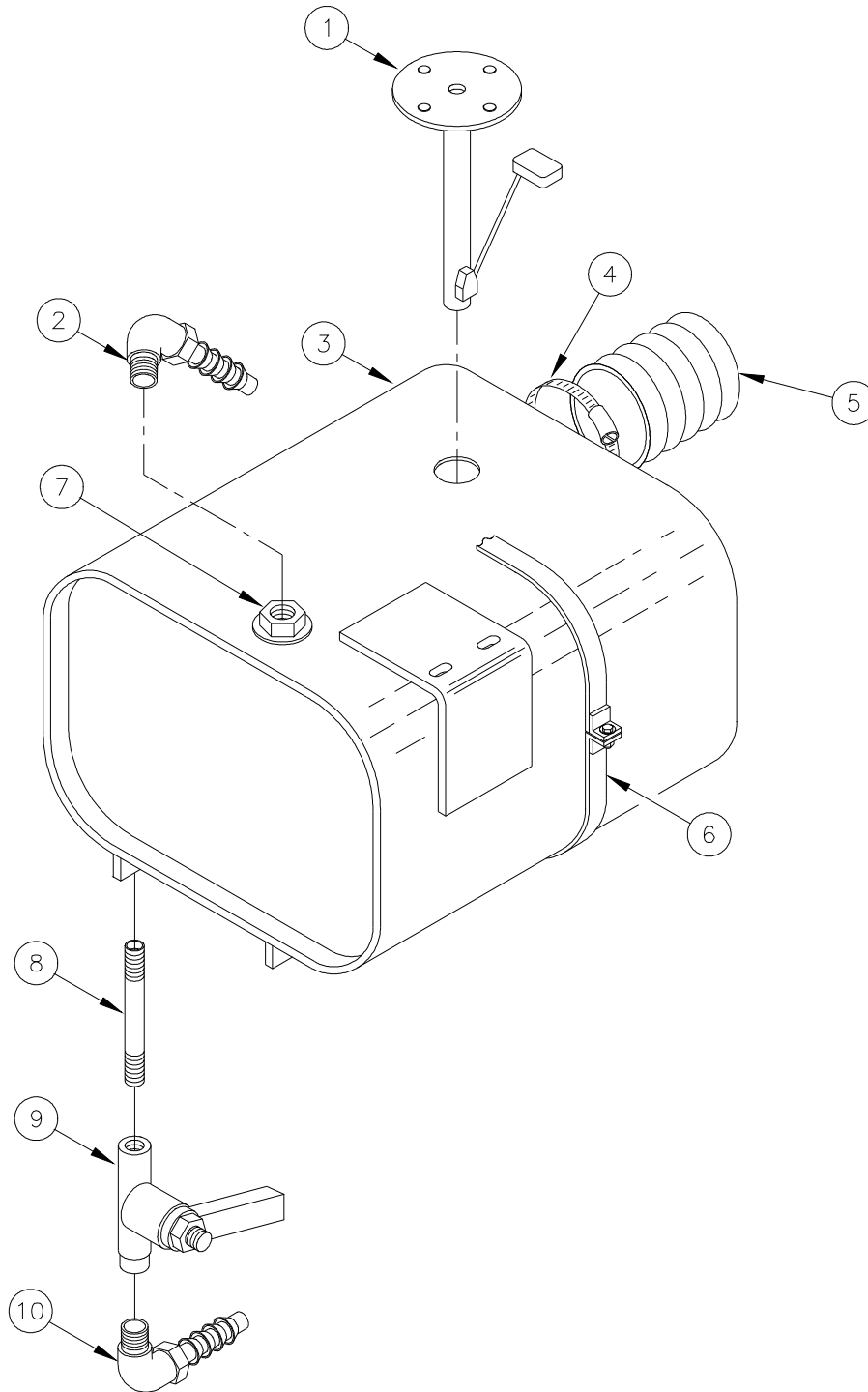


ENGINE PAN, HYDRAULIC HOSE RETAINER & LATCH					
ITEM	PART NO.			REQ'D	DESCRIPTION
	9XR	9XR Europe	9XV		
1	3334951			1	WELDMENT-ENGINE PIVOT
2	3301718			1	KEY-1/4x1/4x.75
3	3300471			1	BEARING-TAPERED ROLCONE W/SEAL
4	3300470			1	BEARING-TAPERED ROL CUP
5	3307326			1	BEARING MOUNT-ENGINE PIVOT
6	3400012			1	FTG-GREASE, φ3/16
7	3400083			1	NUT-HEX JAM, 1 1/4-12 ES
8	3333303			1	COVER-HOSE RETAINER SHORT
9	3333302			1	WELDMENT-HOSE RETAINER
10	3335208	3335706	3335208	1	WELDMENT-ENGINE CATCH OUTER
11	3335183			1	WELDMENT-ENGINE CATCH INNER
12	3307377			1	LATCH-ENGINE ,
13	3334994			1	WELD-ENGINE PAN,
14	3335480	N/A	N/A	1	HARNESS-EXT, 2 PIN CONN TO #10 RING
15	3400082	N/A	N/A	2	NUT-HEX #8-32 ES ZP
16	3335351	N/A	N/A	1	CLAMP-SWITCH, WHISKER
17	3400315	N/A	N/A	2	SCR-HEX,#10-32X0.50 ZP
18	3334879	N/A	N/A	1	MNT-9X ENGINE SWITCH
19	3400454	N/A	N/A	2	SCR-THM #8-32 X 1.25 ZP
20	3342546	N/A	N/A	1	SWITCH-12V WHISKER

NOTE: Where N/A is indicated as the part number the item is not applicable to that particular model.

NOTE: Part numbers that span more than one column apply to the models listed in the heading of the columns.

FUEL TANK GASOLINE AND DIESEL



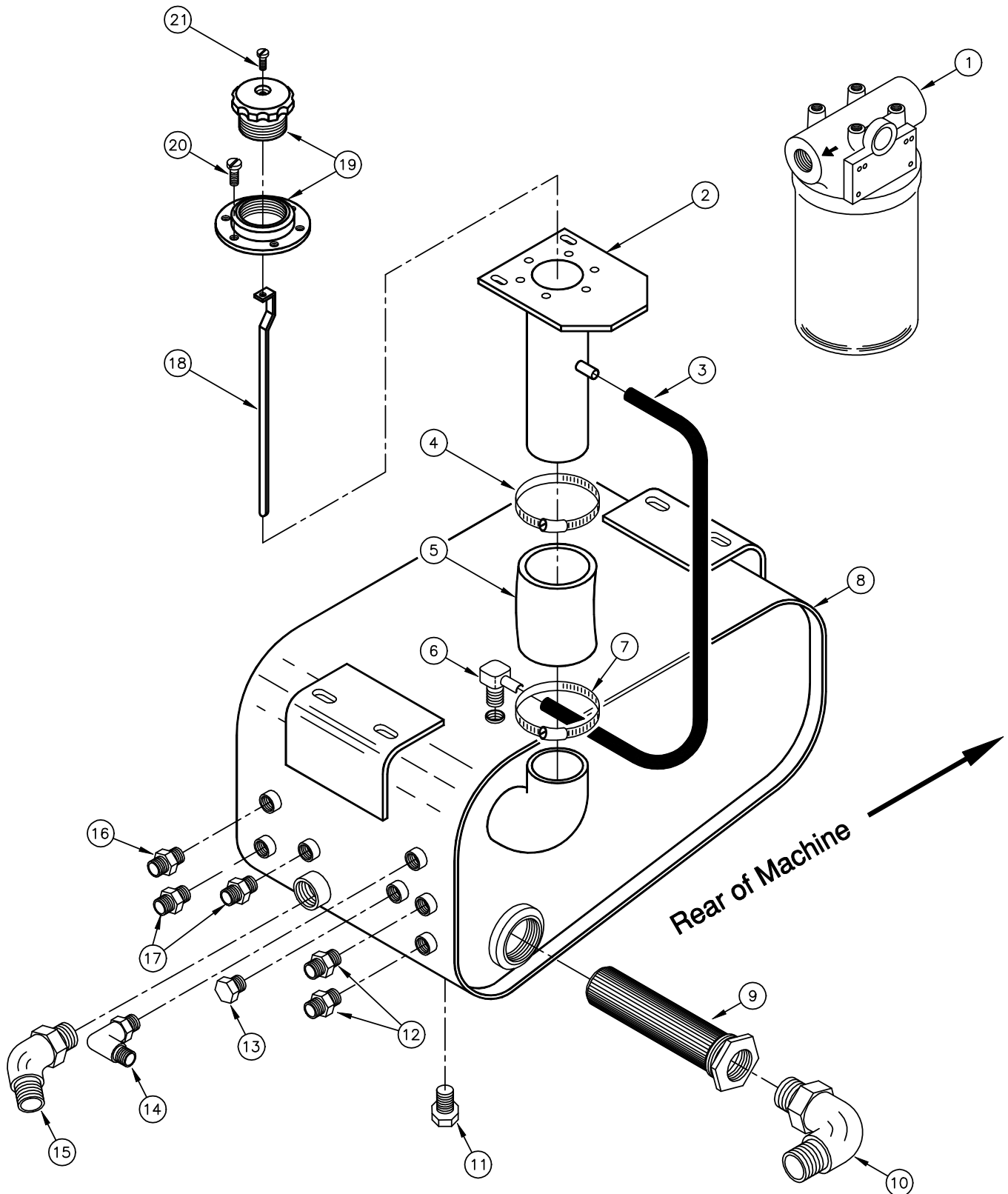
FUEL TANK GASOLINE AND DIESEL				
ITEM	PART NO.		REQ'D	DESCRIPTION
	Diesel	Gasoline		
1	3300388		1	SENDER-FUEL W/CORK GASKET
2	N/A	3402006	1	FTG-90 ELL 5/16 HOSE X 1/8 NPT
2	3402022		1	FTG-90 1/4 MPT X 1/4 HOSE BARB
3	3307575		1	TANK-FUEL, 7.64 US GAL,
4	3044112		1	CLAMP-HOSE, SS, 2.50 MAX
5	3303577		1	HOSE-RUBBER, 2.00IDx3.50 LG
6	3307731		1	STRAP-FUEL TANK ()
7	3304622		1	FTG-REDUCER 1/4 MPTx1/8 FPT
8	3400498		1	FTG-BRASS NIPPLE, 1/4 NPTx2.0 LG
9	3400499		1	VALVE-MINATURE 1/4 FPT BALL
10	3400793		1	FTG-90° 3/8 BARBx1/4 NPT
*	3307066	3307081	1	SUB ASSEMBLY (INCLUDES ITEMS 1-10)

NOTE: Where N/A is indicated as the part number the item is not applicable to that particular model.

NOTE: Part numbers that span more than one column apply to the models listed in the heading of the columns.

NOTE: The 9XR and 9XV models are available with kubota v1505 diesel and GM1.6L gasoline engines. The 9XR Europe model is available with the kubota v1505 diesel.

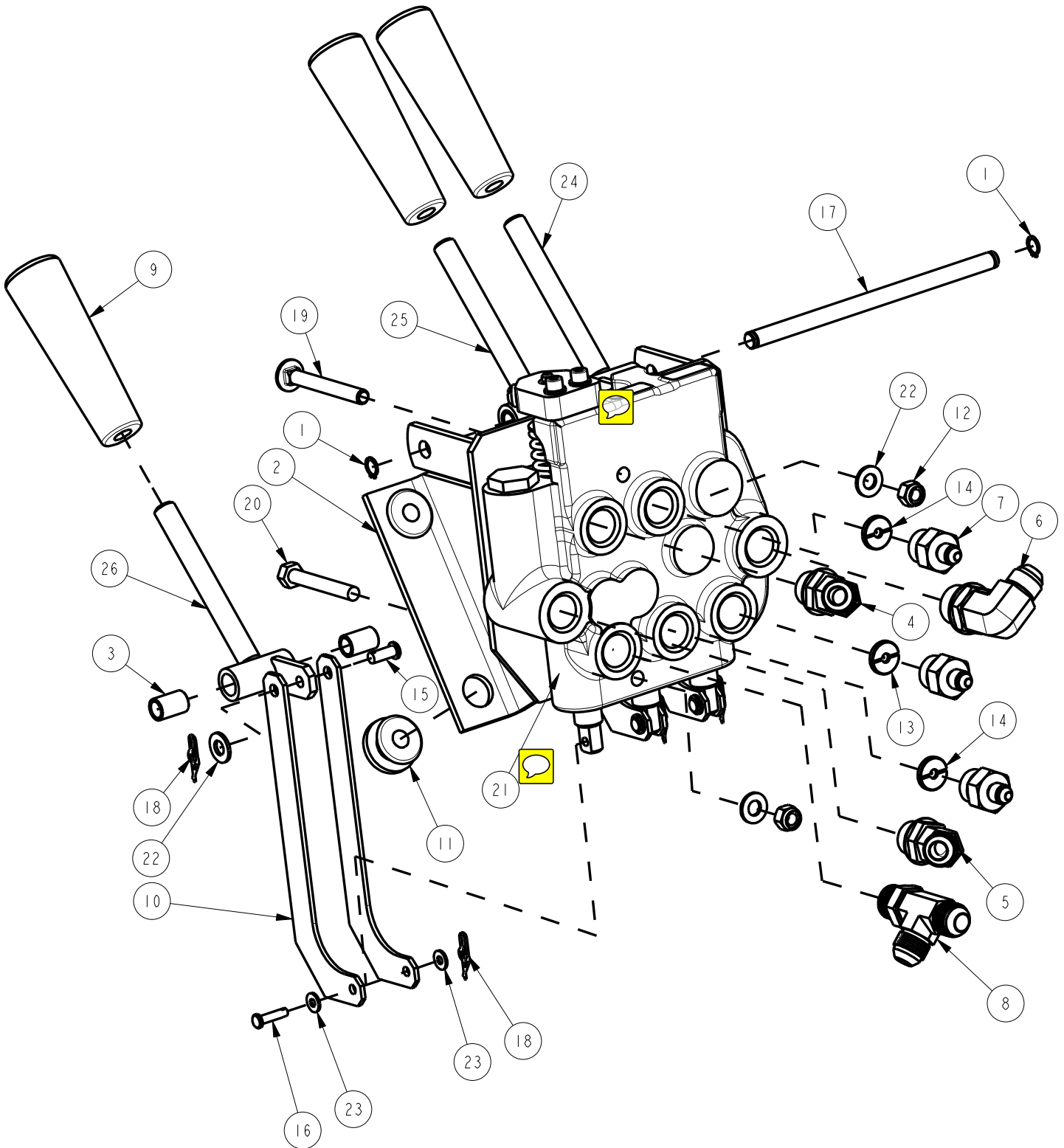
HYDRAULIC RESERVOIR ASSEMBLY



HYDRAULIC RESERVOIR ASSEMBLY					
ITEM	PART NO.			REQ'D	DESCRIPTION
	9XR	9XR Europe	9XV		
1	3300358			1	SUB-HYD FILTER SW/9X (FILTER, MOUNT & FITTINGS)
-	3300359			1	FILTER-HYDRUALIC OIL (FILTER ONLY)
-	3304899			1	FTG-ADAPTER, 3/4-16 TO 1/2 OD TUBE (NOT SHOWN)
-	3400167			1	FTG-ADAPTER, 1 1/6-12 EXT TO (NOT SHOWN)
-	3400632			1	FTG-ADAPTER, RUN TEE 1-1/16-12 (NOT SHOWN)
-	3400636			1	FTG-ADAPTER, SWIVEL NUT 90° ELBOW (NOT SHOWN)
2	3310072			1	WELDMENT-HYD FILL TUBE
3	3302703			1	HOSE-VACUUM LINE, 1/8
4	3044112			1	CLAMP-HOSE, SS, 2.50 MAX WORM
5	3303577			1	HOSE-RUBBER, 2.00IDx3.50 LG
6	3307778			1	FTG-90° 1/8MPTx1/4 BARB
7	3044112			1	CLAMP-HOSE, SS, 2.50 MAX WORM
8	3335759			1	RESERVOIR-HYDRAULIC, 7.5 US GAL (8X,9X,10X)
9	3343836			1	STRAINER-HYDRAULIC TM-14
10	3400917			1	FTG-90° DEG MALE ELBOW
11	3400164			1	FTG-PLUG 3/4-16 O RING
12	3304899			2	FTG-ADAPTER 3/4-16 TO 1/2 OD TUBE
13	3400453			1	FTG-PLUG 9/16-18 O-RING STEEL
14	3400152			1	FTG-90° 1/2-20 TO #5
15	3332571			1	FTG-STR THREAD O RING 45° EL
16	3400871			1	FTG-C5315 X 6 X 5
17	3306875			2	FTG-ADAPTOR 1/2-20 TO 5/16 OD
18	3307580			1	DIPSTICK-HYD RESEVOIR
19	3305576			1	ASSEMBLY-HYD OIL FILTER BREATHER
20	3400044			6	SCR-HEX,#10-32X0.75
21	3400045			1	SCR-PAN,#8-32X0.62,SLT
-	3335773			1	ASSY- HYDRAULIC RESERVOIR (Includes Items 6-21)

NOTE: Part numbers that span more than one column apply to the models listed in the heading of the columns.

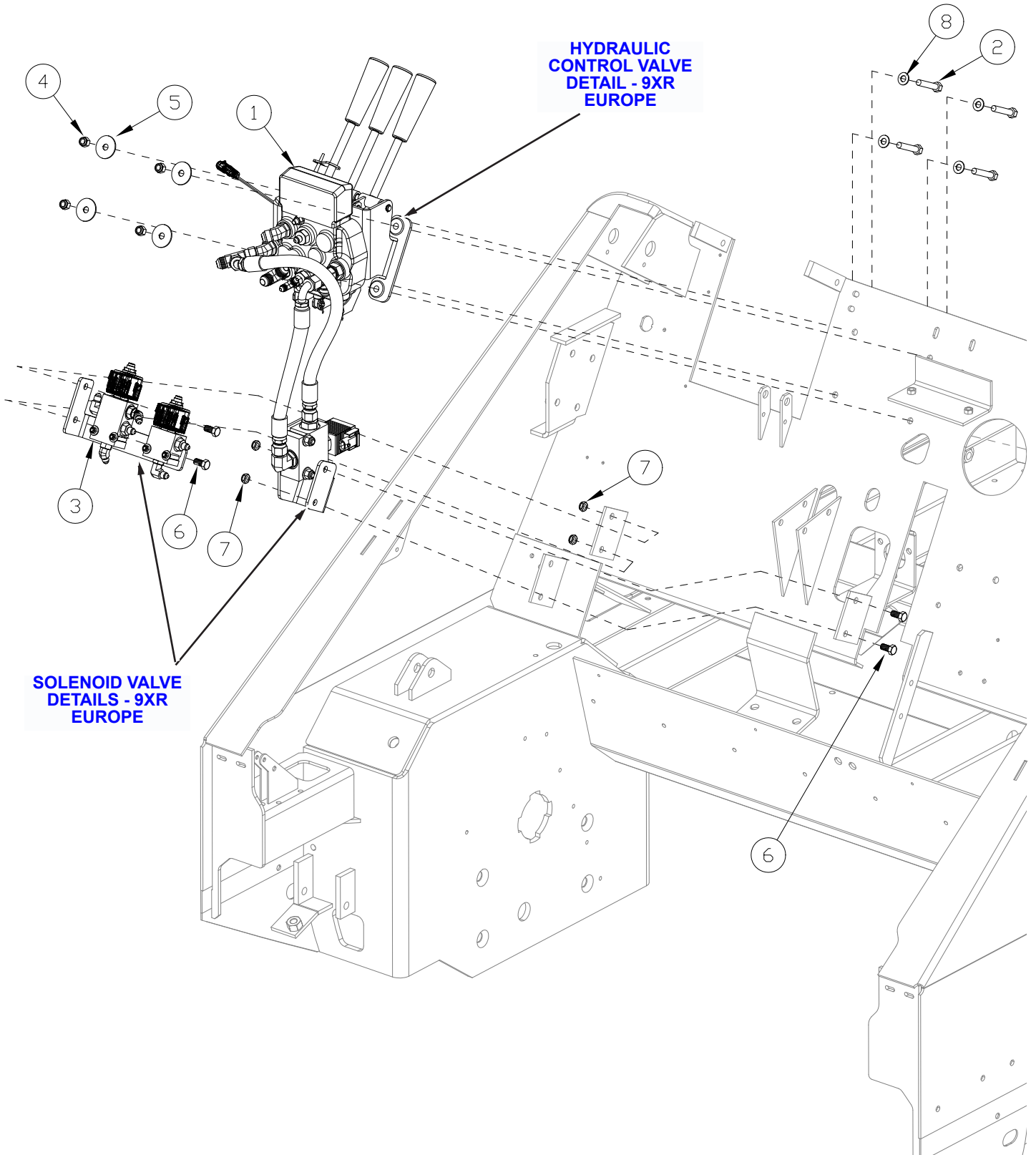
HYDRAULIC CONTROL VALVE ASSEMBLY - 9XR AND 9XV



HYDRAULIC CONTROL VALVE ASSEMBLY - 9XR AND 9XV				
ITEM	PART NO.		REQ'D	DESCRIPTION
	9XR	9XV		
1	3300548		2	3/8" RETAINING RING
2	3307196		1	ASSY - CNTRL VALVE MNT.
3	3303996		6	BEARING - PLASTIC 1/2" O.D. X 3/8" ID X .75 LG
4	3400157		1	FTG-45 3/4-16 TO #8
5	3400158		1	FTG-45 3/4-16 TO #8
6	3400155		1	FTG-90 EL 8JIC X 10MORB
7	3400150		3	FTG-ADAPTER STRAIGHT 4MJIC X 8MORB
8	3400163		1	FTG-TEE OFFSET 3/4-16 TO #8
9	3300558		3	KNOB-TAPERED #145 BLACK
10	3307206		6	LINK - HYD. VALVE
11	3300465		4	MOUNT-ISOLATOR
12	3400080		2	NUT-HEX 5/16-18 ES ZP
13	3309354		1	ORIFICE - BRASS #332, .041" DIA
14	3301683		2	ORIFICE - BRASS #334, .043" DIA
15	3400425		3	PIN-CLEVIS 1/2 X 5/8 ZP
16	3400426		3	PIN-CLEVIS 3/16 X 3/4
17	3300884		1	ROD - PIVOT CONTROL VAVLE
18	3400742		6	RUE RING-1/4 HEAVY ZP
19	3400369		1	SCR - CAR, 5/16-18X2.75 ZP
20	3400038		1	SCR-HEX 5/16-18X2.25
21	3307433		1	VALVE - HYD CONTROL 3-SPOOL
22	3400088		5	WASHER 5/16 ID .688 OD X .065 THK
23	3400096		6	WASHER-FLAT #8 ZP
24	3307201		1	WELD - HANDLE CONT VLV 1
25	3307202		1	WELD - HANDLE CONT VLV 2
26	3307203		1	WELD - HANDLE CONT VLV 3

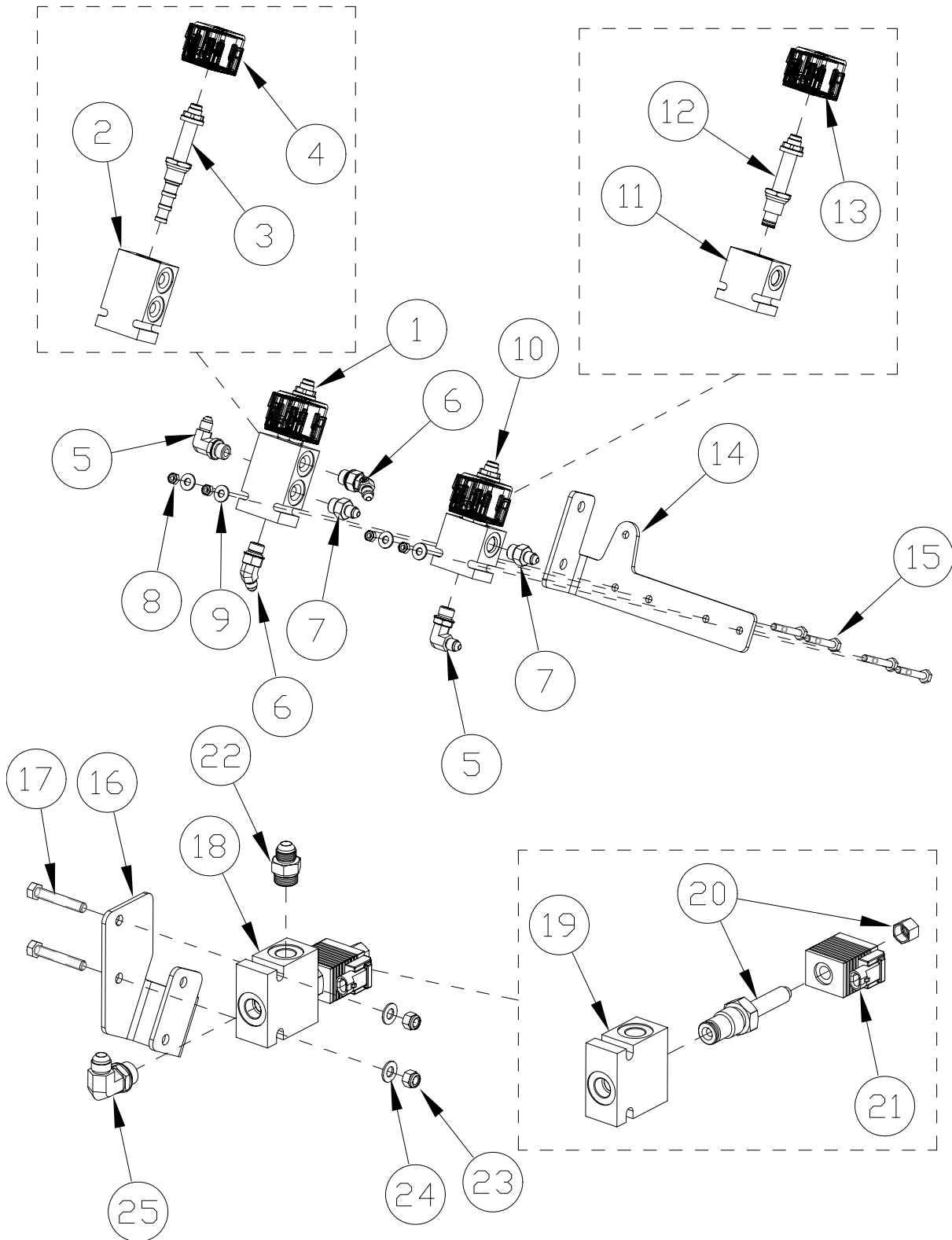
NOTE: Part numbers that span more than one column apply to the models listed in the heading of the columns.

SOLENOID AND HYDRAULIC CONTROL VALVE MOUNTING - 9XR EUROPE



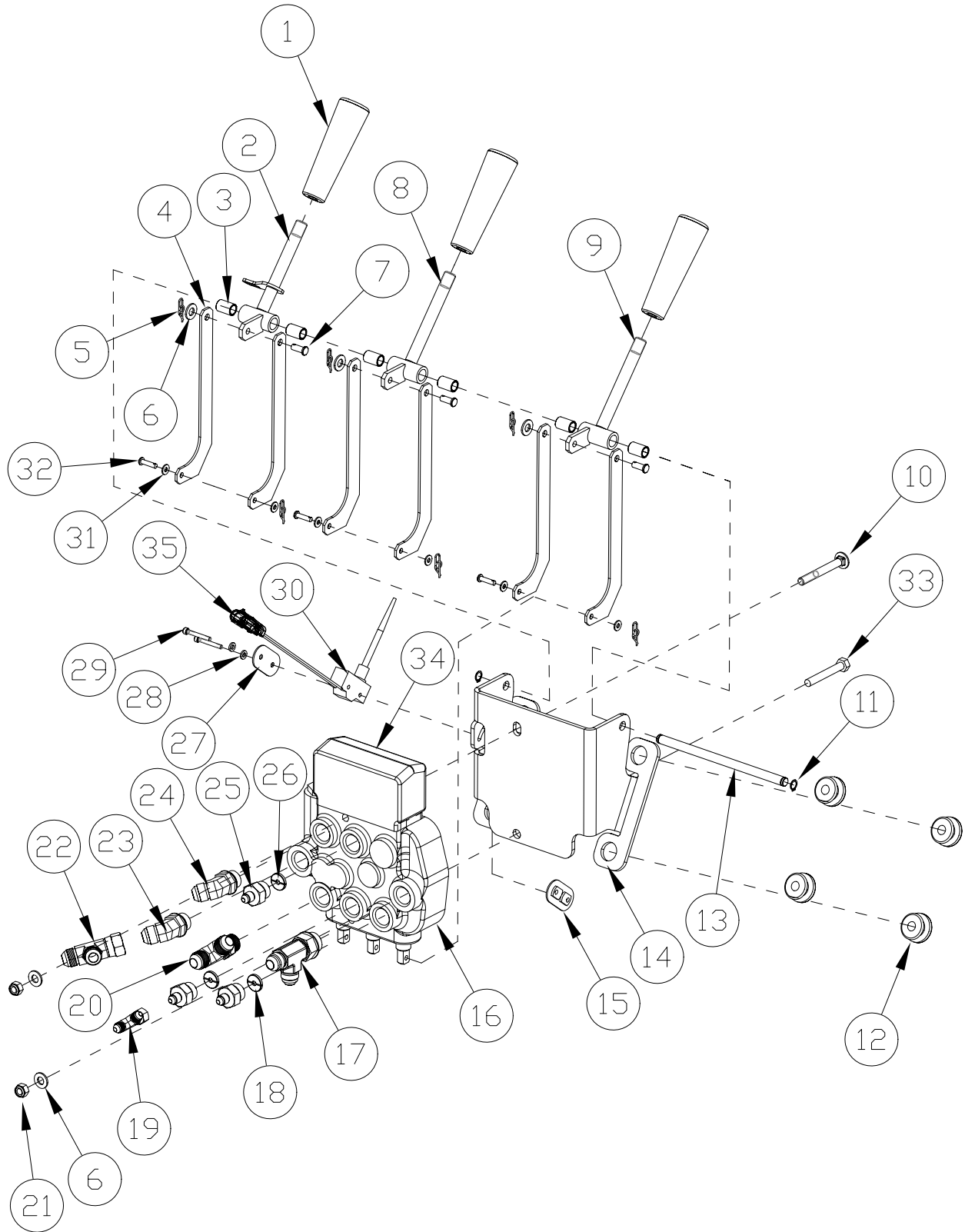
SOLENOID AND HYDRAULIC CONTROL VALVE MOUNTING - 9XR EUROPE			
ITEM	PART NO.	REQ'D	DESCRIPTION
	9XR Europe		
1	3337357	1	ASSY - HYD. CONTROL VALVE 9XR CE
2	3400031	4	SCR-HEX,3/8-16X2.00 ZP
3	3337358	1	ASSY - 9XR CE LIFT/ROTATE SOLENOID VALVES
4	3400079	4	NUT-HEX 3/8-16 ES ZP
5	3400092	4	WASHER-FENDER 3/8 ZP 1.50ODx.07THK
6	3400032	4	SCR-HEX,3/8-16X0.75 ZP
7	3401028	4	NUT, 3/8-16 ELASTIC STOP (ES) JAM
8	3400087	4	WASHER-FLAT 3/8 STANDARD ZP

SOLENOID VALVE DETAILS - 9XR EUROPE



SOLENOID VALVE DETAILS - 9XR EUROPE			
ITEM	PART NO.	REQ'D	DESCRIPTION
	9XR Europe		
1	3337372	1	SOLENOID VALVE - (NC), 4-WAY #6, 3300 PSI, 12VDC
2	3337371	1	HOUSING - ALUM. 4-WAY, SAE#6
3	3337369	1	SOLENOID - (NC), 3300 PSI MAX, 2 GPM [FLOW @ 100PSI]
4	3337366	1	COIL TERMINAL - 12VDC, 16W
5	3400470	2	FTG-90° 9/16-18 TO #4 JIC
6	3401050	2	FTG-45 DEG 9/16-18 TO #4
7	3400264	2	FTG-MALE CONNECTOR 9/16 TO #4
8	3401569	4	NUT-HEX JAM 1/4-20 ES ZP
9	3400089	4	WASHER-FLAT 1/4 STANDARD ZP
10	3337368	1	SOLENOID VALVE - (NC), 2-WAY #6, 3300 PSI, 12VDC
11	3337367	1	HOUSING - ALUM. 2-WAY, SAE#6
12	3337365	1	SOLENOID - (NC), 3300 PSI MAX, 4 GPM [FLOW @ 100PSI]
13	3337366	1	COIL TERMINAL - 12VDC, 16W
14	3337346	1	PLT - 2X SOLENOID VALVE MOUNT
15	3400173	4	SCR-HEX,1/4-20X1.75 ZP
16	3337347	1	PLT - 1X SOLENOID VALVE MOUNT
17	3401601	2	SCR-BHCS 5/16-18 X 5/8 LG, STAIN STEEL
18	3337364	1	SOLENOID VALVE - (NO), 2-WAY #10, 3300 PSI, 12VDC
19	3337363	1	HOUSING - ALUM. 2-WAY, SAE#10
20	3335061	1	VALVE-SOLENOID, POPPET (SP)
21	3337362	1	COIL TERMINAL - 12VDC, 20W
22	3400151	1	FTG-STR 7/8-14 TO #8
23	3400079	2	NUT-HEX 3/8-16 ES ZP
24	3400087	2	WASHER-FLAT 3/8 STANDARD ZP
25	3400155	1	FTG-90° 7/8-14 TO #8

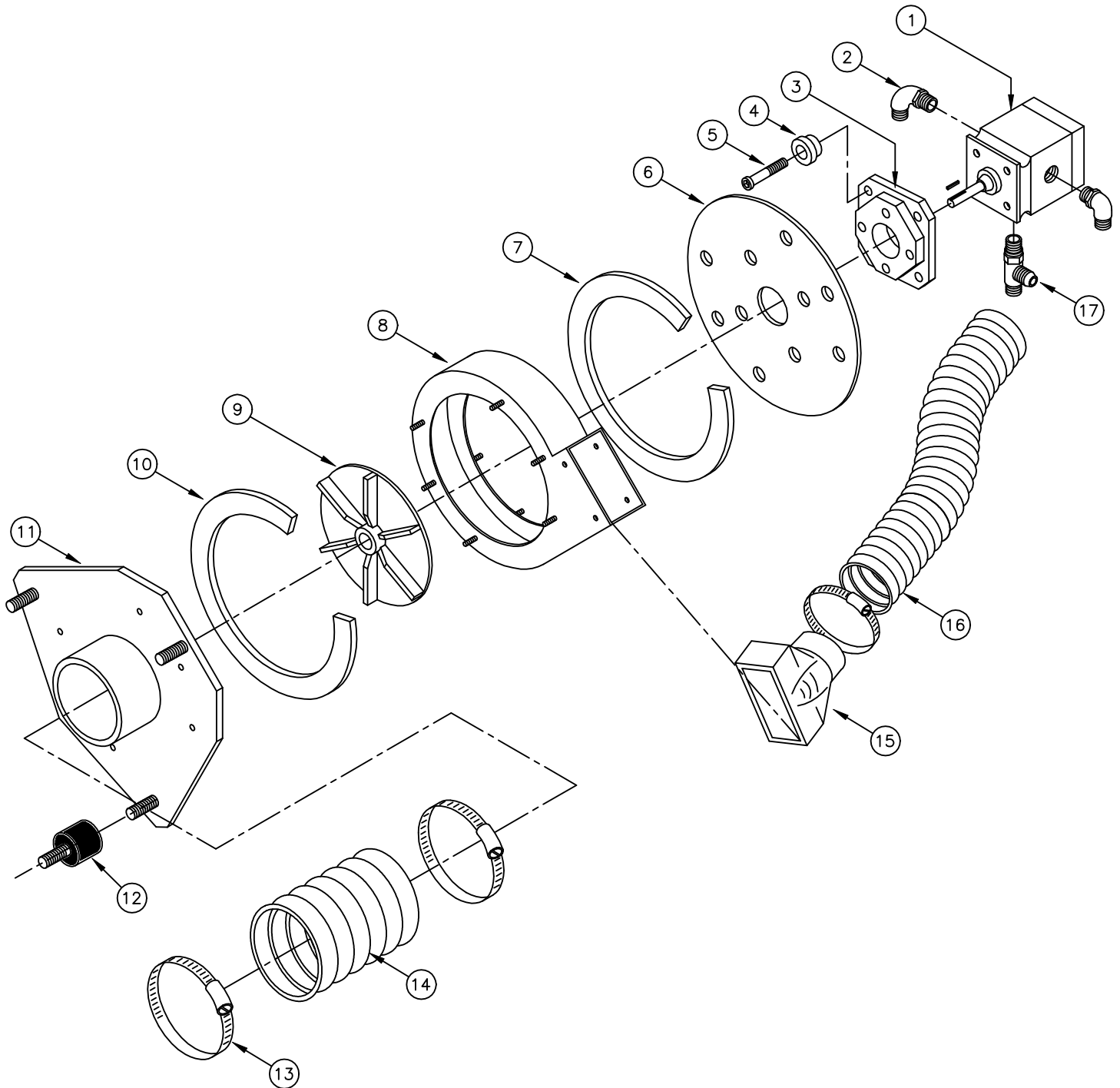
HYDRAULIC CONTROL VALVE DETAIL - 9XR EUROPE



HYDRAULIC CONTROL VALVE DETAIL - 9XR EUROPE

ITEM	PART NO.	REQ'D	DESCRIPTION
	9XR Europe		
1	3300558	3	KNOB-PLASTIC TAPERED #145 BLACK
2	3337377	1	WELD - HANDLE CONT VLV 3 PLTD
3	3303996	6	BEARING-PLASTIC 1/2X3/8X.75 LG
4	3307206	6	LINK-HYD VLV SW/A PLTD
5	3400742	6	RUE RING-1/4 HEAVY ZP
6	3400088	5	WASHER-FLAT 5/16 IDx.688 ODx.065 THK
7	3400425	3	PIN-CLEVIS 1/4 X 5/8 ZP
8	3307202	1	HANDLE CONT VLV 2 PLTD
9	3307201	1	HANDLE CONT VLV 1 PLTD
10	3400369	1	SCR-CAR,5/16-18X2.75 ZP
11	3300548	2	RING-RET EXT .38
12	3300465	4	ISOLATOR-RUBBER (.375IDx.81OD)
13	3300884	1	ROD-PIVOT CONTROL VALVE PLTD
14	3337356	1	MNT - HYD. SPOOL VALVE ARMA
15	3337374	1	WELDMENT - SWITCH NUT PLATE
16	3307433	1	VALVE-HYD CONTROL 3-SPOOL SW/A
17	3337370	1	FTG - HYD. TEE #8JIC X #10 ORB X #8JIC
18	3309354	2	ORIFICE-BRASS #332, .041" DIA, HYDRAULIC, 3/4-16 THD
19	3306819	1	FTG-TEE SWIVEL RUN #4 JIC ARMA
20	3400163	1	FTG-TEE OFFSET 3/4-16 TO #8
21	3400080	2	NUT-HEX 5/16-18 ES ZP
22	3400250	1	FTG-TEE SWIVEL 1/2 TUBE
23	3400158	1	FTG-45° 7/8-14 TO #8
24	3400157	1	FTG-45° 3/4-16 TO #8
25	3400150	2	FTG-STR 3/4-16 TO #4
26	3301683	1	ORIFICE-BRASS #334, .043" DIA, "A" HYDRAULIC, 3/4-16 THD
27	3335351	1	CLAMP-SWITCH, WHISKER
28	3400105	2	WASHER-LOCK #8 SPLIT ZP
29	3401604	2	SCR-SOC, #8-32 X 1.25, ZP
30	3342546	1	SWITCH-12V WHISKER
31	3400096	6	WASHER-FLAT #8 ZP
32	3400426	3	PIN-CLEVIS 3/16 X 3/4 ZP
33	3400038	1	SCR-HEX,5/16-18X2.25 ZP
34	3338128	1	VALVE COVER - BLACK VINYL
35	3335480	1	HARNESS-EXT, 2 PIN CONN TO #10 RING

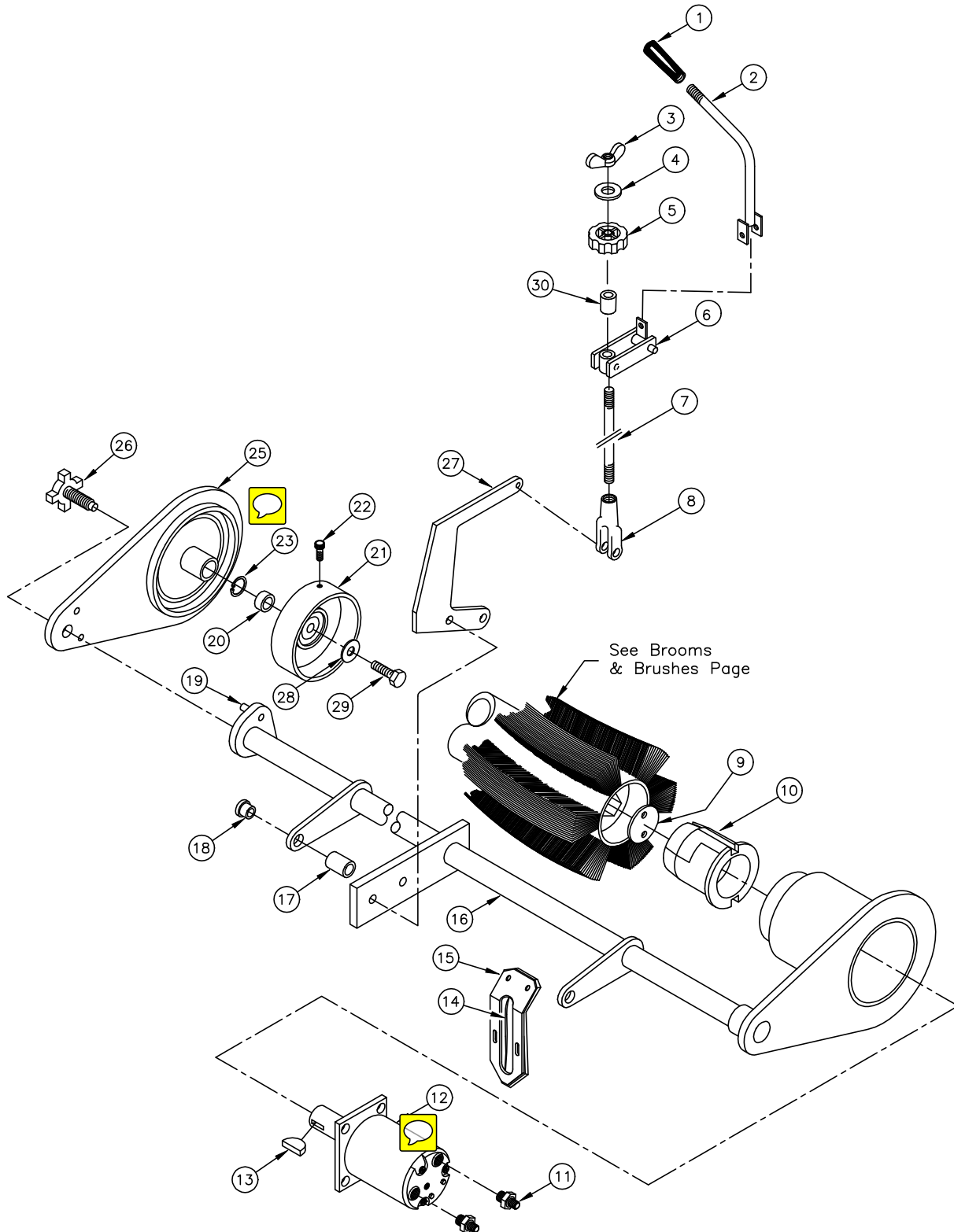
IMPELLER ASSEMBLY



IMPELLER ASSEMBLY					
ITEM	PART NO.			REQ'D	DESCRIPTION
	9XR	9XR Europe	9XV		
1	3316832			1	MOTOR-HYDRAULIC, .323CI, CCW ROTATION, IMPELLER
	3337905			1	SEAL KIT IMPELLER MOTOR
2	3400154			2	FTG-90° 3/4-16 TO #8
3	3307152			1	MOUNT-IMPELLER MOTOR
4	3300465			4	ISOLATOR-RUBBER, .375 IDx.81 OD
5	3400028			4	SCR-HEX 3/8-16x1.50"
6	3322121			1	MOUNT-IMPELLER MOTOR, CIRCULAR
7	3500246			2.5'	GASKET-OPEN CELL 1/8x3/4
8	3307004			1	SHROUD-IMPELLER,
9	3307003			1	IMPELLER-8.88" DIA, ARMA BALANCED
10	3500246			2.5'	GASKET-OPEN CELL 1/8x3/4
11	3308765			1	INTAKE-IMPELLER MOUNTING 9X
12	3333915			3	ISOLATOR-RUBBER, φ1.5x1" LG, 3/8-16 THREAD
13	3300351			3	CLAMP-HOSE, 4.5" DIA, SS
14	3307767			1	HOSE-IMPELLER, φ4"x7.5" LONG
15	3315347			1	TRANSITION-PLASTIC IMPELLER EXHAUST
16	3318203			1	HOSE-IMPELLER EXHAUST, 3.5"IDx62" LONG
17	3400844			1	FTG-STRAIGHT THREAD RUN TEE w/O-RING

NOTE: Part numbers that span more than one column apply to the models listed in the heading of the columns.

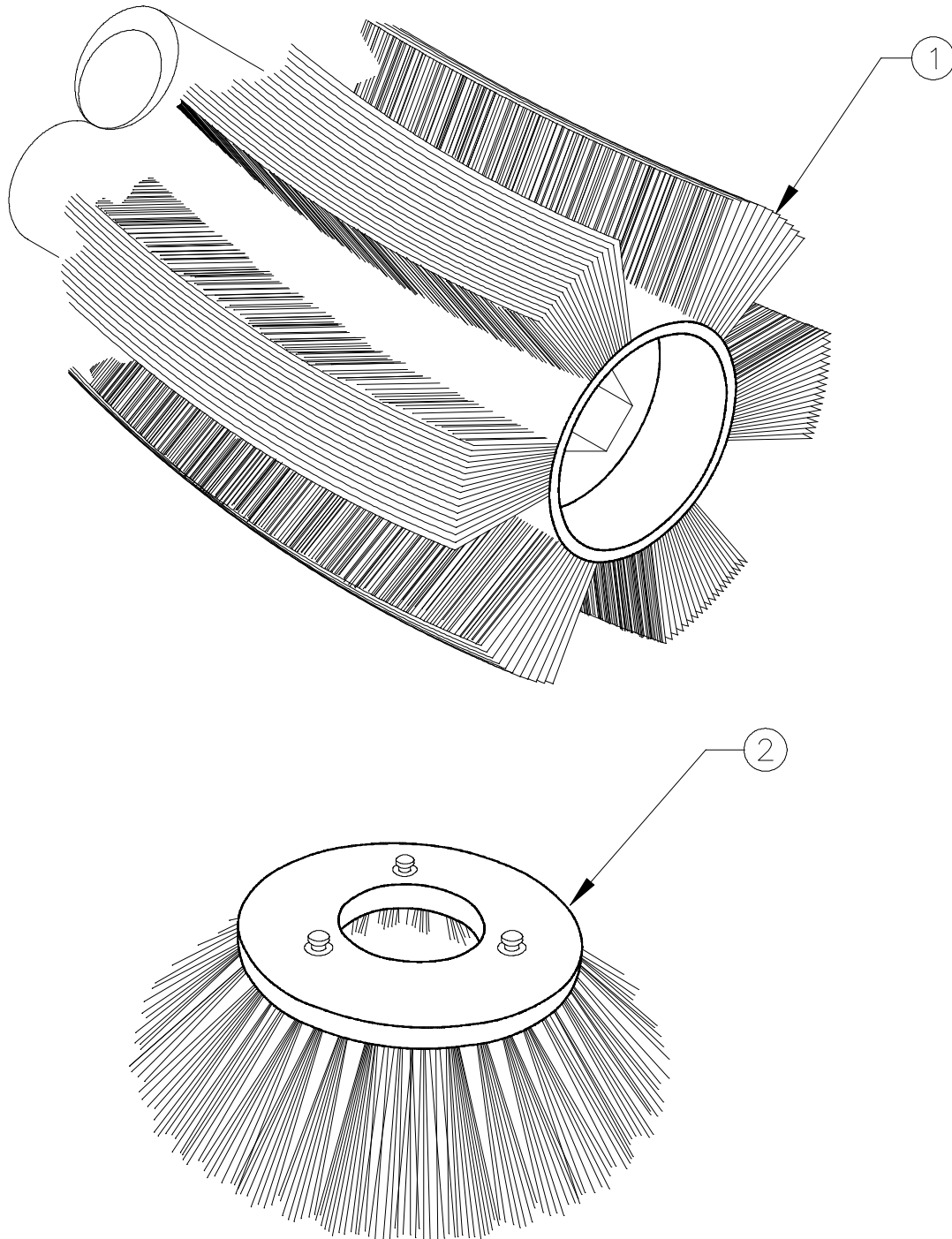
MAIN BROOM ASSEMBLY



MAIN BROOM ASSEMBLY					
ITEM	PART NO.			REQ'D	DESCRIPTION
	9XR	9XR Europe	9XV		
1	3300558			1	KNOB-PLASTIC TAPERED #145 BLACK
2	3334987			1	WELDMENT-MAIN BROOM LEVER
3	3400084			1	NUT-WING 1/2-13
4	3400091			1	WASHER-FENDER 1/2
5	3300352			1	KNOB-MAIN BROOOM LIFT ADJUST
6	3335112			1	WELDMENT-MAIN BROOM PIVOT LIFT
7	3334984			1	ROD-LIFT MAIN BROOM
8	3301447			1	CLEVIS-CABLECRAFT AC-218
9	3301285			1	RETAINER-MAIN BROOM DRIVER HUB
10	3301050			1	HUB-MAIN BROOM DRIVE
11	3400151			1	FTG-STRAIGHT 7/8-14 TO #8
12	3316898			1	MOTOR-HYD MAIN BROOM
13	3330338			1	KEY-SHAFT D-FOSS CB/MB/SC MOTORS
14	3307337			3'	GASKET-MAIN BROOM ARM
15	3307338			3'	RETAINER-GASKET MAIN BROOM ARM
16	3307207			1	WELDMENT-MAIN BROOM ARM
17	3307181			1	SPACER-MAIN BROOM
18	3300432			2	BUSHING-FL-52-4
19	3300021			2	PIN-DOWL ϕ .38x1.25 LONG
20	3305667			1	BEARING-MAIN BROOM
21	3305642			1	HUB-BROOM IDLER
22	3400047			1	SCR-SOCKET, 5/16-18x0.75
23	3305666			1	RING-RETAINING MAIN BROOM
25	3305795			1	WELDMENT-ARM MAIN BROOM IDLER WB
26	3400748			1	KNOB-HAND 1/2-13x1-1/2 DOG POINT
27	3307214			1	PLATE-LIFT ARM MAIN BROOM
28	3400091			1	WASHER-FENDER 1/2
29	3400022			1	SCR-HEX,1/2-13X1.25
30	3333672			1	SPACER-MB LIFT ROD

NOTE: Part numbers that span more than one column apply to the models listed in the heading of the columns.

SIDE BROOM & MAIN BROOM



SIDE BROOM & MAIN BROOM					
ITEM	PART NO.			REQ'D	DESCRIPTION
	9XR	9XR Europe	9XV		
1	3305818			1	BROOM-48"HIGH DEN FIBER & WIRE
	3305812			1	BROOM-48" NYLON
	3305665			1	BROOM-48" HIGH DENSITY NYLON
	3305814			1	BROOM-48" NYLON CHEVRON (PATROL)
	3315315			1	BROOM-48"STIFF NYLON
	3305663			1	BROOM-48" PROEX & WIRE
	3305824			1	BROOM-48" CRINKLE WIRE
	3332456			1	BROOM-48" STIFF POLY & WIRE
2	3300308			1	BROOM-SIDE 24" WHITE NYLON
	3300306			1	BROOM-SIDE 24" DIA. BLACK POLY
	3300309			1	BROOM-SIDE 26" WHITE NYLON
	3300307			1	BROOM-SIDE 26" BLACK POLY
	3300311			1	BROOM-SIDE 26" WIRE

NOTE: Part numbers that span more than one column apply to the models listed in the heading of the columns.

Main Broom User's Guide

Proex & Wire - Slightly encrusted soilage & dusty conditions. High heat.

Nylon - General purpose broom with long life bristles.

Poly Proex - All purpose broom that stands up well on rough surfaces.

High Density Nylon - Highly effective for small particle soilage. Severe dust environments.

Crinkle Wire - Stiff bristles for compacted grime, oil, grease or mud. Fair to good broom life.

Natural Fiber & Wire - Good all around broom. Good for high heat applications.

Side Broom User's Guide

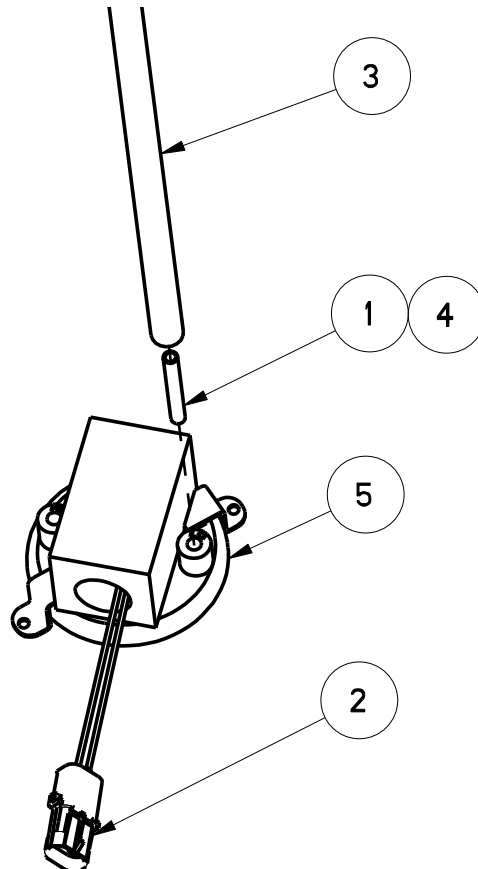
Poly - Stiff bristles for aggressive sweeping of mainly heavy litter. Not suited for high heat.

Nylon - Provides longest life. Recommended for tough sweeping jobs.

Wire (flat) - For areas of heavy grease build up or scarifying action. Used in high heat applications.

VACUUM SWITCH

NOTE: Standard on 9XV / Optional on 9XR AND 9XR Europe

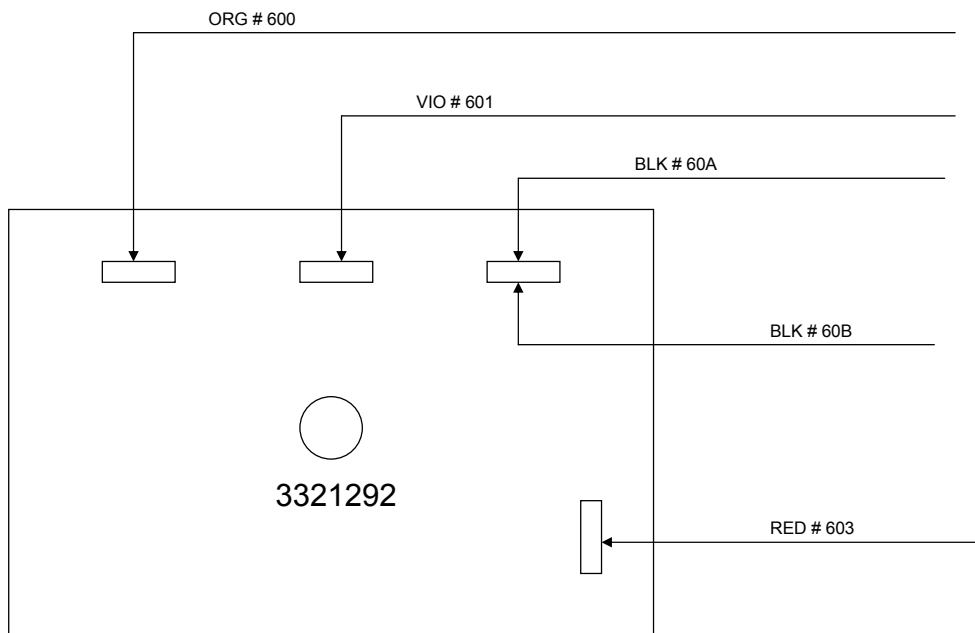
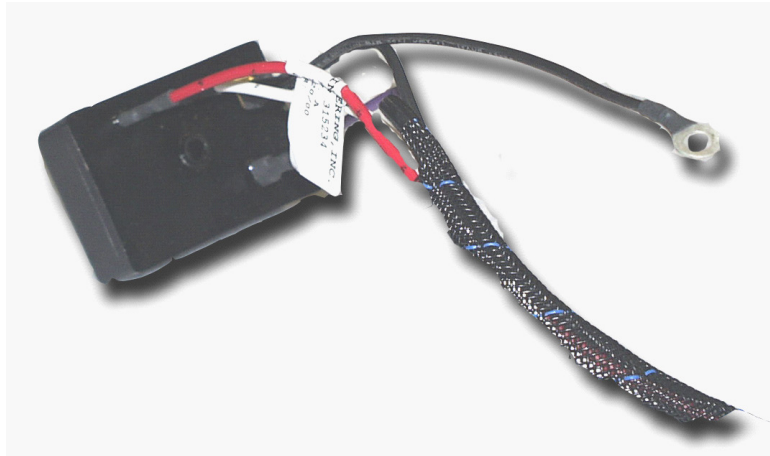


VACUUM SWITCH					
ITEM	PART NO.			REQ'D	DESCRIPTION
	9XR	9XR Europe	9XV		
1		3303105		1	FTG-NIPPLE 1/8"MPT X 2.00 LG
2		3335480		1	HARNESS-EXTENSION, 2 PIN CONN TO #10 RING (3310089)
3		3335532		1	HOSE-5/16 ID X 10.50 CLOGGED FILTER
4		3401122		0.1	SEALANT-THREADED PIPE, 565 PST
5		3303327		1	SWITCH-PRESSURE, SERIES
6		3400315		2	SCR-HEX,#10-32X0.50 (Not Shown)
7		3400172		2	NUT-HEX JAM #10-32 ES (Not Shown)

NOTE: Part numbers that span more than one column apply to the models listed in the heading of the columns.

TIMER-FILTER SHAKER SEALED

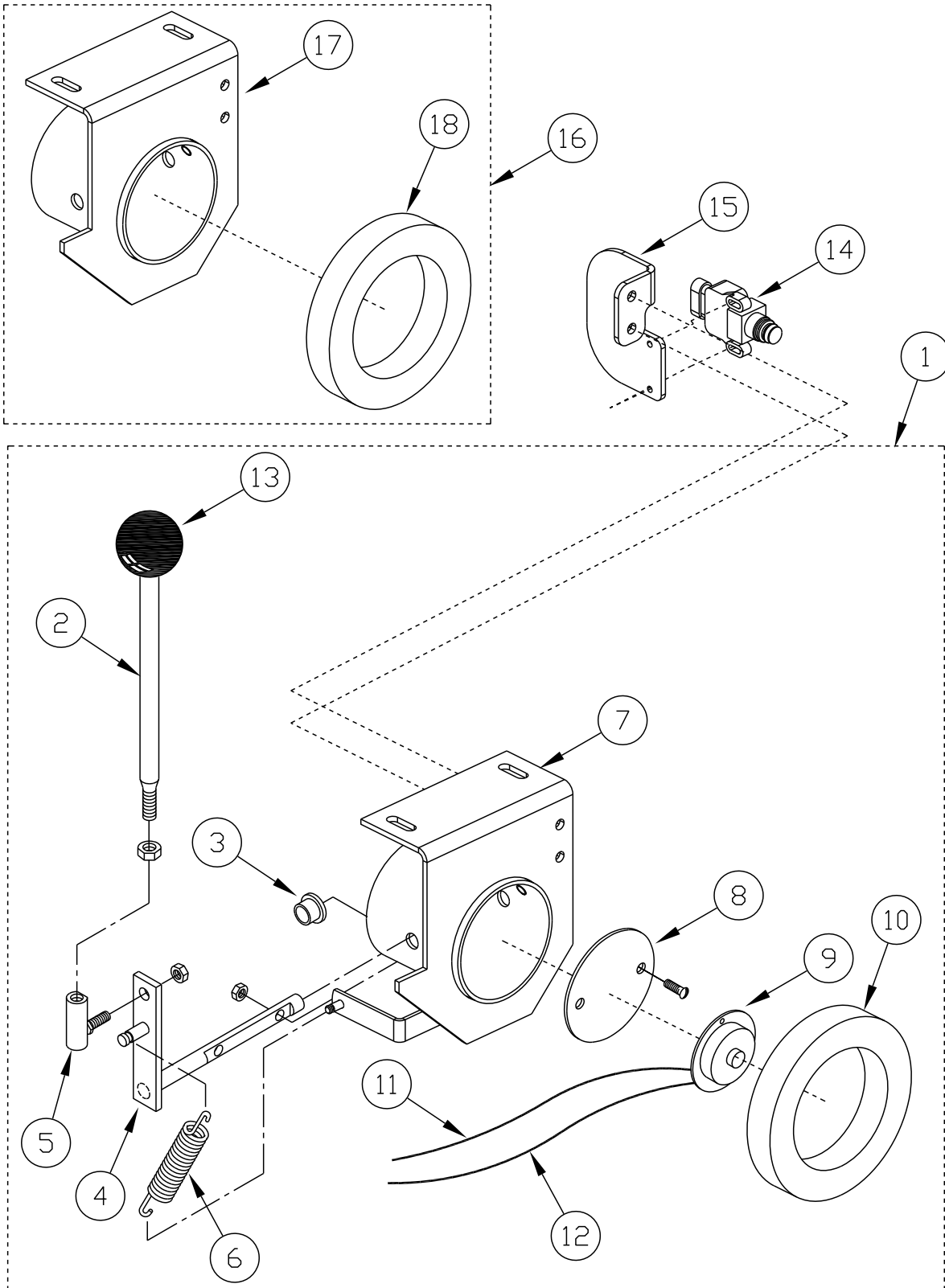
NOTE: Standard on 9XV / Optional on 9XR AND 9XR Europe



TIMER-FILTER SHAKER SEALED					
ITEM	PART NO.			REQ'D	DESCRIPTION
	9XR	9XR Europe	9XV		
1	3321292			1	TIMER-FILT SHAKER SEALED/MANUAL

NOTE: Part numbers that span more than one column apply to the models listed in the heading of the columns.

GASKET MOUNT ASSEMBLY



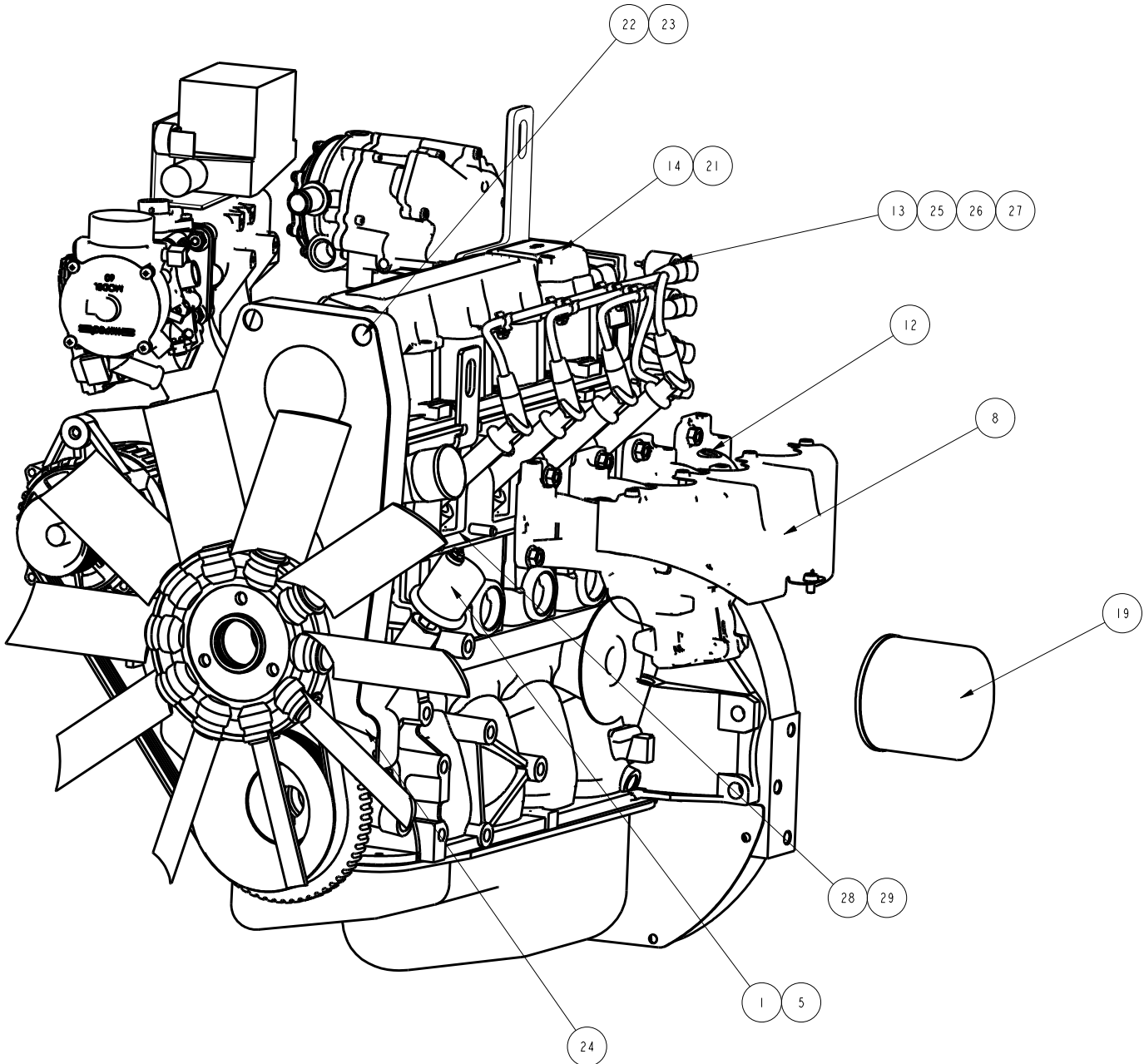
GASKET MOUNT ASSEMBLY					
ITEM	PART NO.			REQ'D	DESCRIPTION
	9XR	9XR Europe	9XV		
1	3307018			1	GASKET MOUNT SUB 9XV (Includes Items 1-13)
2	3307173			1	ROD-IMPELLER BAFFLE
3	3300414			2	BUSHING-PLASTIC, 3/8IDx1/2OD
4	3307155			1	WELDMENT ROD GASKET MOUNT BAFFLE
5	3301199			1	BALL JOINT-1/4-28
6	3304160			1	SPRING-EXTENSION, 2.00 LG
7	3307182			1	WELDMENT-GASKET MOUNT,
8	3301498			1	DAMPER-HOPPER SHUTOFF,
9	3303003			1	DETECTOR-HEAT, 135°F TRIP (57°C), THERMOSTATIC TYPE
10	3307005			1	GASKET-IMPELLER
11	3310099			1	HARNESS-FIRE IN HOPPER INDICATOR
12	3317148			1	HARNESS-FIRE IN HOPPER INDICATOR
-	3303729			1	GROMMET-RUBBER, .25IDx.56ODx.12 GROOVE (Not Shown)
13	3300563			1	KNOB-PLASTIC BALL 1" DIA, BLACK
14	N/A	3335945	N/A	1	SWITCH-COBO W/ AMP CONNECTOR
15	N/A	3337340	N/A	1	PLT - HOPPER POSITION SWITCH MOUNT
16	3333734	N/A	N/A	1	GASKET MOUNT SUB 9XR (Includes Items 17-18)
17	3318473	N/A	N/A	1	WELDMENT-GASKET MOUNT,
18	3307005	N/A	N/A	1	GASKET-IMPELLER

NOTE: Part numbers that span more than one column apply to the models listed in the heading of the columns.

NOTE: Item 16 is standard on model 9XR and item 1 is optional on model 9XR.

ENGINE GM 1.6L LPG & GASOLINE - OIL FILTER, PLUG WIRES & WATER PUMP

NOTE: LPG Engine Shown



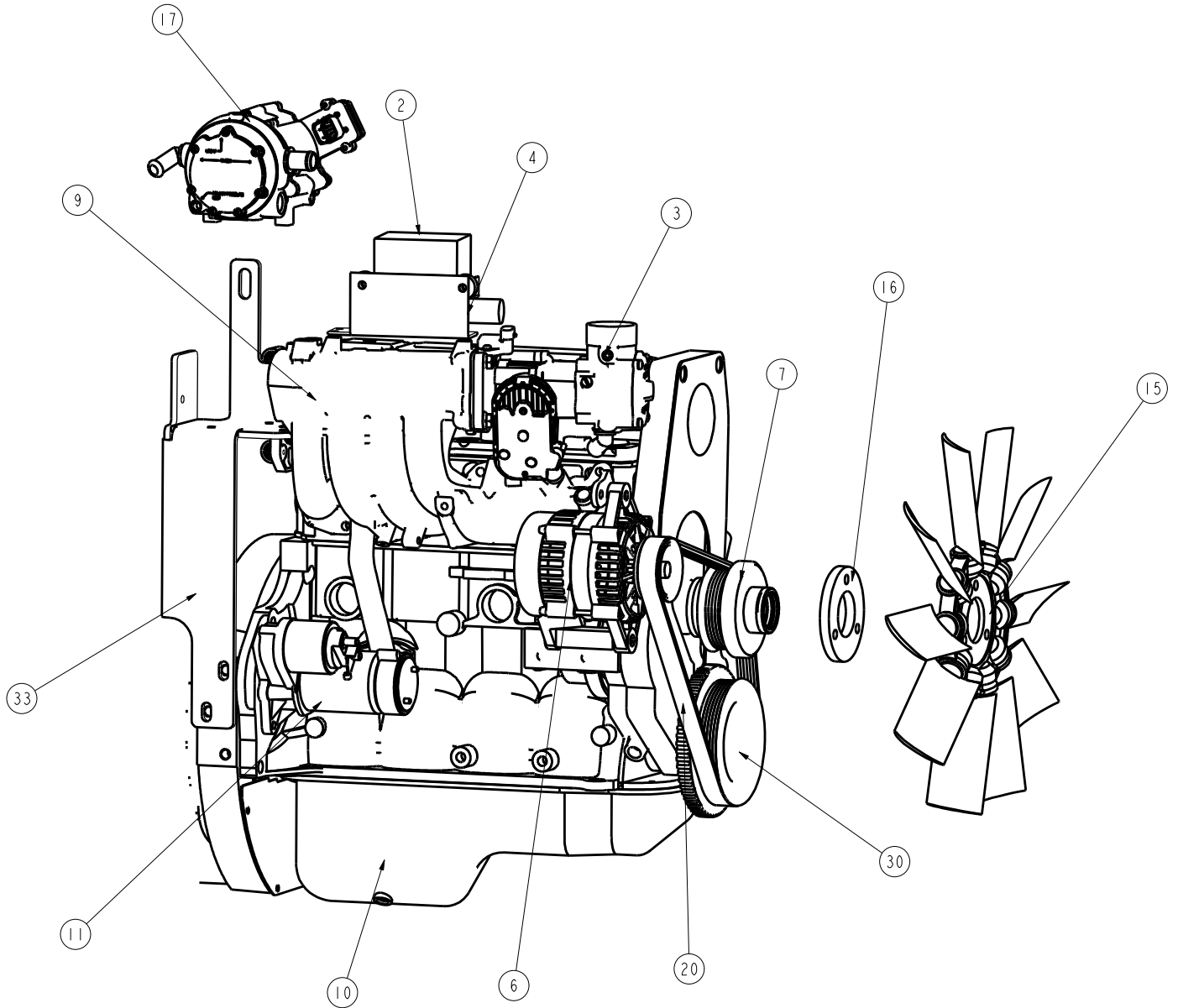
ENGINE GM 1.6L LPG & GASOLINE - OIL FILTER, PLUG WIRES & WATER PUMP				
ITEM	PART NO.		REQ'D	DESCRIPTION
	LPG	GASOLINE		
1	3342078		1	ADAPTER-1.6L GM OIL SENDER
5	3341069		1	SENDER-OIL PRESSURE 12V
8	3343864		1	SHIELD EXHAUST MANIFOLD
12	3343657		1	MANIFOLD-GM 1.6L EXHAUST
13	3342410		1	WIRE-SPLG #1CYL GM 1.6L
14	3342354		1	COVER-CM/SHF HSG GM 1.6L
19	3342201		1	FILTER-OIL (AC-DELCO)
21	3342356		1	GASKET-CAM/SHAFT HSG COVER GM 1.6L
22	3343656		1	FRONT COVER FOR TIMING BELT GM 1.6L
23	3342385		1	BELT-TMG (111 TEETH) GM 1.6L (Behind Cover Not Shown On Drawing)
24	3343668		1	WATER PUMP GM 1.6 Kit (Behind Cover Not Shown On Drawing)
25	3342411		1	WIRE-SPLG #2CYL GM 1.6L
26	3342412		1	WIRE-SPLG #3CYL GM 1.6L
27	3342413		1	WIRE-SPLG #4CYL GM 1.6L
28	3343660		1	CYLINDER HEAD-GM 1.6L
29	3342365		1	GASKET KIT FOR GM 1.6L CYLINDER HEAD

NOTE: Part numbers that span more than one column apply to the models listed in the heading of the columns.

NOTE: The 9XR and 9XV models are available with GM1.6L LPG and gasoline engines. The 9XR Europe model is available with the GM1.6L LPG engine.

ENGINE GM 1.6L LPG & GASOLINE - FAN, ALTERNATOR BELT & STARTER

NOTE: LPG Engine Shown



ENGINE GM 1.6L LPG & GASOLINE - FAN, ALTERNATOR BELT & STARTER				
ITEM	PART NO.		REQ'D	DESCRIPTION
	LPG	GASOLINE		
2	3343866		1	BOX-FUSE, 1.6 TIER 2
3	3343627		1	THROTTLE BODY-GM 1.6L BOSCH 40 (See Fuel System)
4	3343865		1	BRACKET-FUSE BOX, 1.6 TIER 2
6	3343633		1	ALTERNATOR-GM 1.6L 7SI (DF SUR-BELT)
7	3343611		1	PULLEY FOR FAN-GM 1.6L
9	3343645		1	KIT-GM 1.6L INTAKE MANIFOLD
10	3343662		1	PAN-GM 1.6L OIL
11	3342333		1	STARTER-(2.041) GM 1.6L Before Engine SN1P6L13151 and Earlier
11	3336742		1	STARTER After Engine SN1P6L13151 and Later
15	3342304		1	FAN-PUSHER 16" GM 1.6L
16	3343623		1	SPACER-GM 1.6L FAN PUSHER .85"
17	3339848		1	REGULATOR/EPR (See Fuel System)
20	3343634		1	BELT-GM 1.6L FAN POLY-6V 39"
22	3343656		1	GM 1.6L TIMING BELT FRONT
30	3342317		1	PULLEY-CR/SHF GM 1.6L
33	3339844		1	BRACKET, EPR
-	N/A	3343535	1	ECU- GM1.6L GASOLINE TIER 2 (NOT SHOWN)
-	3343519	N/A	1	ECU-GM1.6L, LP TIER 2 (NOT SHOWN)
-	N/A		1	ECU- GM1.6L GASOLINE TIER 3 (NOT SHOWN)
-		N/A	1	ECU-GM1.6L, LP TIER 3 (NOT SHOWN)

NOTE: Where N/A is indicated as the part number the item is not applicable to that particular model.

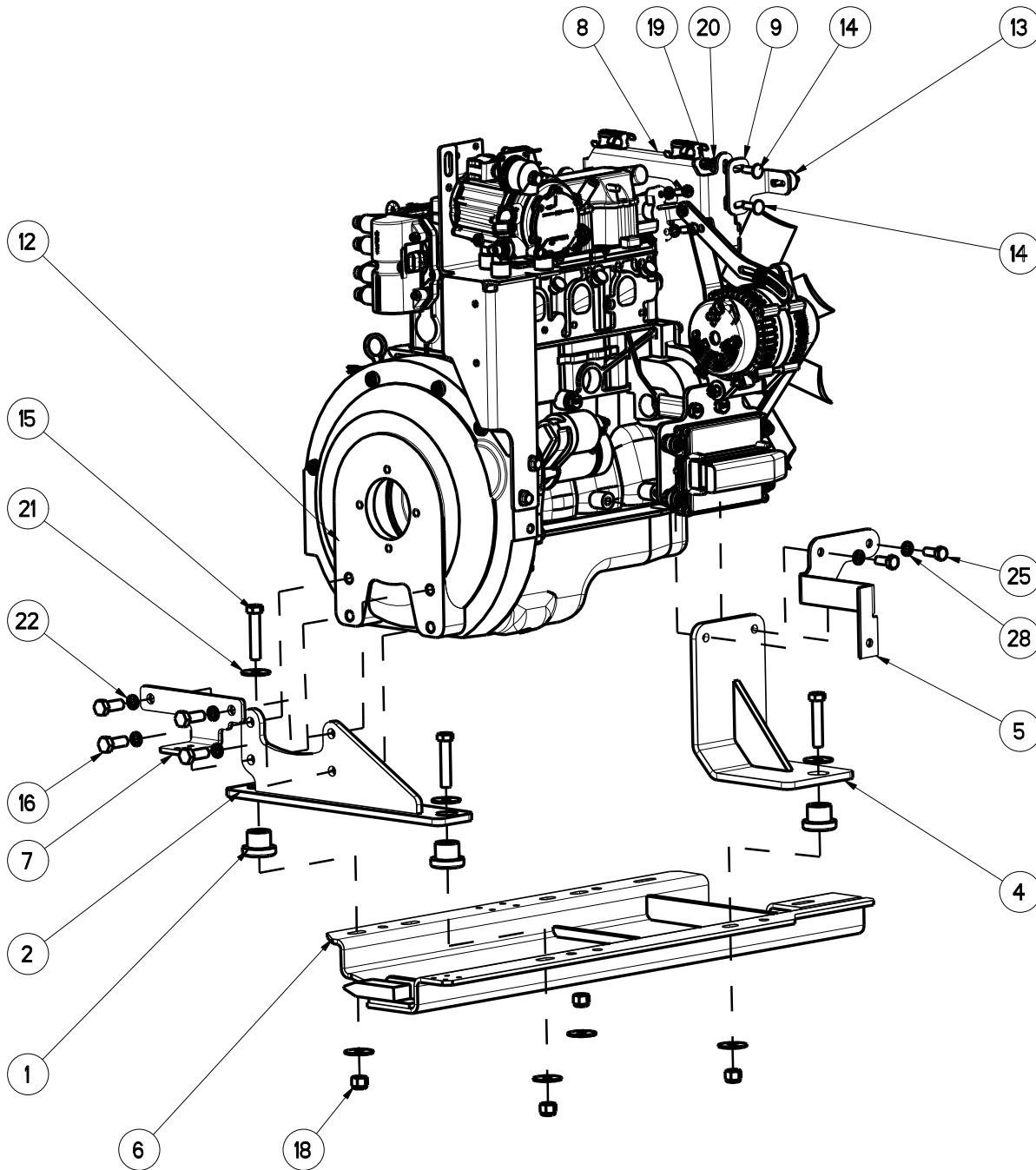
NOTE: Part numbers that span more than one column apply to the models listed in the heading of the columns.

NOTE: The 9XR and 9XV models are available with GM1.6L LPG and gasoline engines. The 9XR Europe model is available with the GM1.6L LPG engine.

ENGINE GM 1.6L LPG & GASOLINE - PAN, MOTOR MOUNTS & BRACKETS

NOTE: LPG Engine Shown

NOTE: Units beginning SN-18254079



ENGINE GM 1.6L LPG & GASOLINE - PAN, MOTOR MOUNTS & BRACKETS				
ITEM	PART NO.		REQ'D	DESCRIPTION
	LPG	GASOLINE		
1	3300464		4	ISOLATOR-RUBBER, 1.24 DIAx1.25
2	3334865		1	WELD-MNT, GM 1.6L, REAR, 9X
3	3334883		1	WELD-MNT, GM 1.6L, LF, 9X
4	3334885		1	WELD-MNT, GM 1.6L, RF, 9X
5	3334888		1	PLT-MOUNT, HOSE RETAINER, FRONT
6	3334994		1	WELD-ENGINE PAN, GM 1.6L,
7	3335883		1	BRKT-MOUNT, FWD/REV ADJUST
8	3336687		1	WELD - UPPER RAD. MOUNT BRKT
9	3336688		2	BRKT - UPPER ISOLATOR MNT
10	3336689		1	PLT - WD, RAD. RESERVOIR BRKT
11	3342611		2	RETAINER-HOSE, 5/8 DIA. (PLASTIC)
12	N/A	3343257	1	ENGINE-GASOLINE GM 1.6L TIER 2
12	3343256		1	ENGINE-LP GM1.6L TIER 2
13	3344112		2	ISOLATOR- CYLINDRICAL, 1 DIA X 3/4 X 1/4-20,
14	3400009		4	SCR-CAR,5/16-18X1.00
15	3400019		4	SCR-HEX,1/2-13X2.50
16	3400022		4	SCR-HEX,1/2-13X1.25
17	3400036		2	SCR-HEX, 5/16-18x0.75
18	3400078		4	NUT-HEX 1/2-13 ES
19	3400080		6	NUT-HEX 5/16-18 ES
20	3400088		6	WASHER-FLAT 5/16 IDx.688 ODx.0
21	3400091		8	WASHER-FENDER 1/2
22	3400098		4	WASHER-LOCK 1/2 SPLIT
23	3400103		2	WASHER-LOCK 1/4 SPLIT
24	3400399		2	NUT-HEX NYLON LOCK #10-24 SS
25	3400625		4	SCR-HHM 10MM X 25MM
26	3400737		2	SCR-HEX 6MM X 16MM
27	3401099		2	SCR-FLT, 10-24X1.25, SOC
28	3401458	N/A	3	WASHER-LOCK 10MM

NOTE: Where N/A is indicated as the part number the item is not applicable to that particular model.

NOTE: Part numbers that span more than one column apply to the models listed in the heading of the columns.

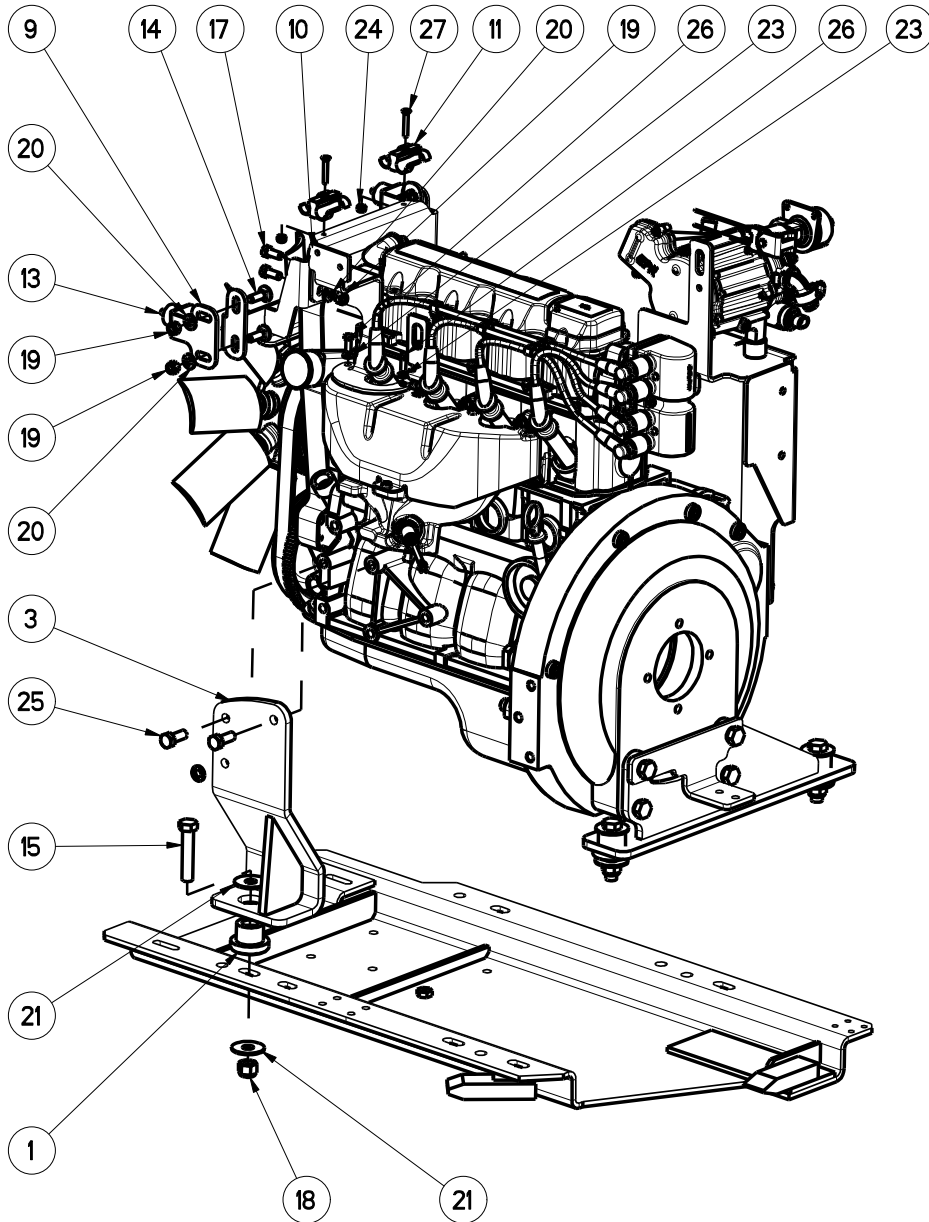
NOTE: The 9XR and 9XV models are available with GM1.6L LPG and gasoline engines. The 9XR Europe model is available with the GM1.6L LPG engine.

NOTE: Units beginning SN-18254079

ENGINE GM 1.6L LPG & GASOLINE - PAN, MOTOR MOUNTS & BRACKETS (CONTINUED)

NOTE: LPG Engine Shown

NOTE: Units beginning SN-18254079



ENGINE GM 1.6L LPG & GASOLINE - PAN, MOTOR MOUNTS & BRACKETS (CONTINUED)				
ITEM	PART NO.		REQ'D	DESCRIPTION
	LPG	GASOLINE		
1	3300464		4	ISOLATOR-RUBBER, 1.24 DIAx1.25
2	3334865		1	WELD-MNT, GM 1.6L, REAR, 9X
3	3334883		1	WELD-MNT, GM 1.6L, LF, 9X
4	3334885		1	WELD-MNT, GM 1.6L, RF, 9X
5	3334888		1	PLT-MOUNT, HOSE RETAINER, FRONT
6	3334994		1	WELD-ENGINE PAN, GM 1.6L,
7	3335883		1	BRKT-MOUNT, FWD/REV ADJUST
8	3336687		1	WELD - UPPER RAD. MOUNT BRKT
9	3336688		2	BRKT - UPPER ISOLATOR MNT
10	3336689		1	PLT - WD, RAD. RESERVOIR BRKT
11	3342611		2	RETAINER-HOSE, 5/8 DIA. (PLASTIC)
12	3343256		1	ENGINE-LP GM1.6L TIER 2
13	3344112		2	ISO-CYL, 1 DIA X 3/4 X 1/4-20,
14	3400009		4	SCR-CAR,5/16-18X1.00
15	3400019		4	SCR-HEX,1/2-13X2.50
16	3400022		4	SCR-HEX,1/2-13X1.25
17	3400036		2	SCR-HEX, 5/16-18x0.75
18	3400078		4	NUT-HEX 1/2-13 ES
19	3400080		6	NUT-HEX 5/16-18 ES
20	3400088		6	WASHER-FLAT 5/16 IDx.688 ODx.0
21	3400091		8	WASHER-FENDER 1/2
22	3400098		4	WASHER-LOCK 1/2 SPLIT
23	3400103		2	WASHER-LOCK 1/4 SPLIT
24	3400399		2	NUT-HEX NYLON LOCK #10-24 SS
25	3400625		4	SCR-HHM 10MM X 25MM
26	3400737		2	SCR-HEX 6MM X 16MM
27	3401099		2	SCR-FLT, 10-24X1.25, SOC

NOTE: Part numbers that span more than one column apply to the models listed in the heading of the columns.

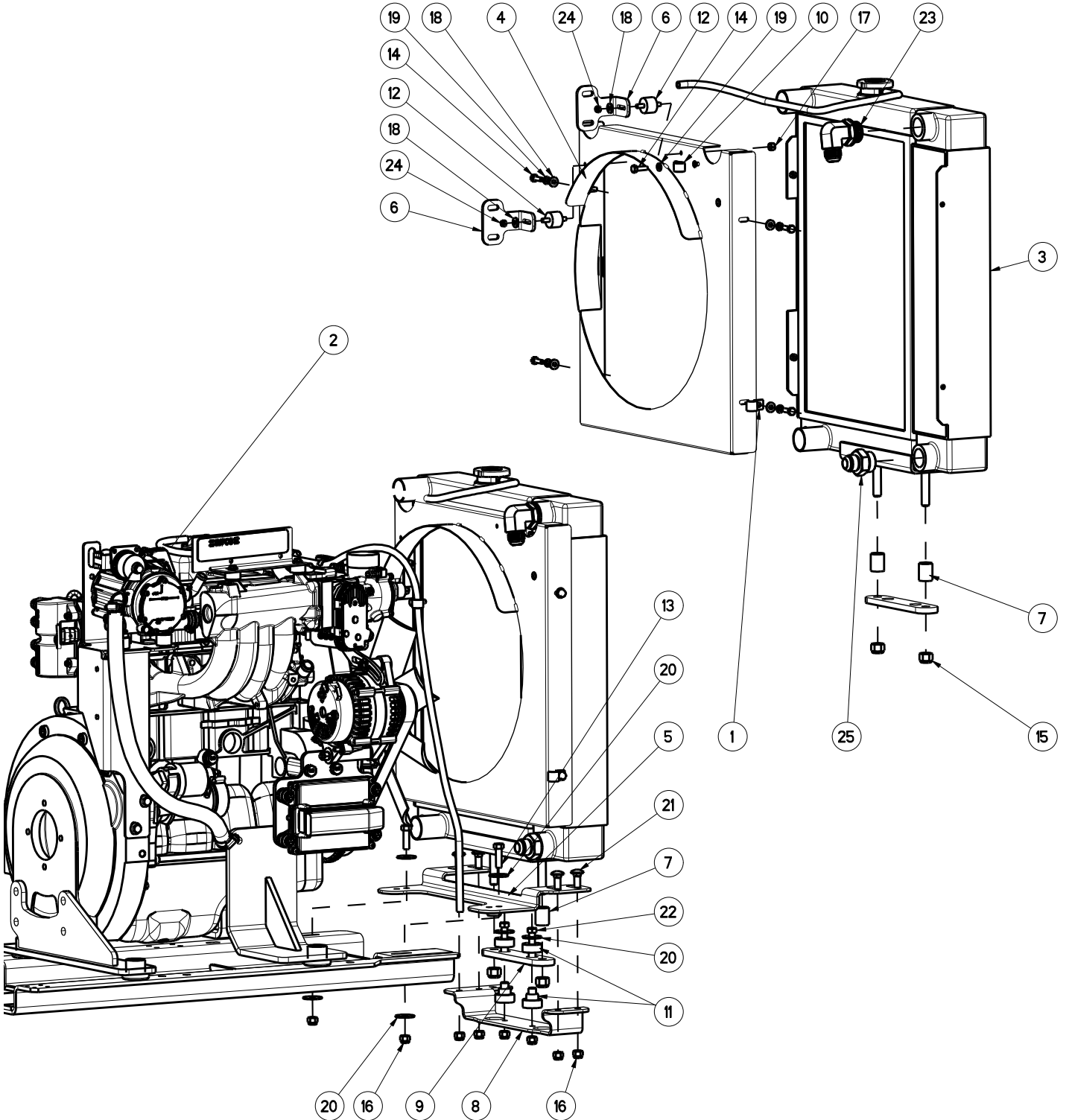
NOTE: The 9XR and 9XV models are available with GM1.6L LPG and gasoline engines. The 9XR Europe model is available with the GM1.6L LPG engine.

NOTE: Units beginning SN-18254079

ENGINE GM 1.6L LPG & GASOLINE - RADIATOR & BRACKETS

NOTE: LPG Engine Shown

NOTE: Units beginning SN-18168059



ENGINE GM 1.6L LPG & GASOLINE - RADIATOR & BRACKETS				
ITEM	PART NO.		REQ'D	DESCRIPTION
	LPG	GASOLINE		
1	3302543		1	CLAMP-SADDLE TYPE 5/16" DIA.
2	3318752		1	RESERVOIR - COOLANT OVRFLW 6.75" X 3.6" X 3.0"
3	3335476		1	RADIATOR-OIL COOLER,
4	3335726		1	WELD - SHROUD, RADIATOR,
5	3336626		2	PLT- BASE, RADIATOR MOUNT
6	3336688		2	BRKT - UPPER ISOLATOR MNT
7	3336690		2	WELD, RAD. RESERVOIR BRKT
8	3336703		1	PLT - RADIATOR MNT
9	3336704		1	PLT - BASE, RADIATOR MNT
10	3343082		1	CLAMP-PIPE, 9/16 DIA, INSULATE
11	3344110		2	ISOLATOR-BONDED BUSHING BOTTOM RADIATOR
12	3344112		2	ISO-CYL, 1 DIA X 3/4 X 1/4-20,
13	3400029		2	SCR-HEX, 3/8-16x1.25
14	3400041		5	SCR-HEX,1/4-20X0.88
15	3400078		2	NUT-HEX 1/2-13 ES
16	3400079		8	NUT-HEX 3/8-16 ES
17	3400081		4	NUT-HEX 1/4-20 ES
18	3400089		8	WASHER-FLAT 1/4 STANDARD
19	3400103		7	WASHER-LOCK 1/4 SPLIT
20	3400278		6	WASHER-FENDER 3/8
21	3400379		4	SCR-CAR,3/8-16X1.00
22	3401454		2	BOLT-HEX, TAP 3/8-16 X 2
23	3401495		1	FTG-90° 1 5/16-12 STOR X #12 JIC
24	3401569		2	NUT-HEX JAM 1/4-20 ES
25	3402003		1	FTG-ADAPTER STRAIGHT#12 TO #16

NOTE: Part numbers that span more than one column apply to the models listed in the heading of the columns.

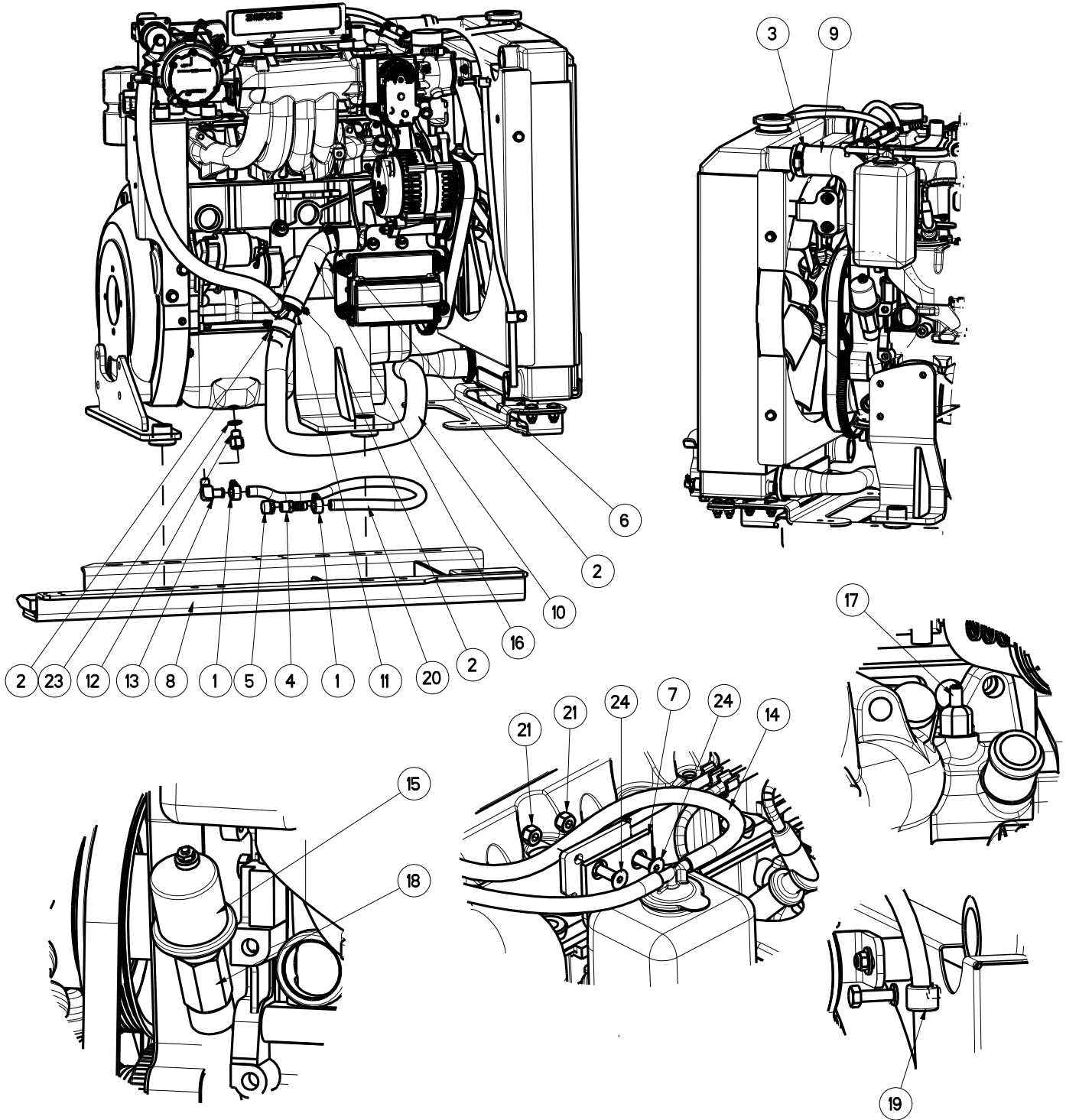
NOTE: The 9XR and 9XV models are available with GM1.6L LPG and gasoline engines. The 9XR Europe model is available with the GM1.6L LPG engine.

NOTE: Units beginning SN-18168059

ENGINE GM 1.6L LPG & GASOLINE - RADIATOR HOSES, SENDING UNITS & CLAMPS

NOTE: LPG Engine Shown

NOTE: Units beginning SN-18168059



ENGINE GM 1.6L LPG & GASOLINE - RADIATOR HOSES, SENDING UNITS & CLAMPS				
ITEM	PART NO.		REQ'D	DESCRIPTION
	LPG	GASOLINE		
1	3302144		2	CLAMP-HOSE 1½ NOM
2	3302193		3	CLAMP-HOSE 1.25 NOM
3	3303255		2	CLAMP-HOSE 1.75 DIA NOMINAL
4	3307829		1	FTG-HOSE BARB 1/2 X 3/8 MPT
5	3307830		1	FTG-CAP 3/8 FPT
6	3312189		1	CLAMP-HOSE 2" NOMINAL SS WORM
7	3318752		1	RESERVOIR - COOLANT OVERFLOW 6.75" X 3.6" X 3.0"
8	3334994		1	WELD-ENGINE PAN, GM 1.6L,
9	3335454		1	HOSE-RADIATOR, UPPER, ARMA
10	3335455		1	HOSE-RADIATOR, LOWER, ARMA
11	3336081		1	FTG-TEE HOSE, REDUC BARB, 1" X 5/8"
12	3336592		1	FTG-ADAPTOR, 14MM X 1.5 THREAD
13	3336593		1	FTG-BH BARB, 90° ELL, 1/4 MPT
14	3336719		1	HOSE - 1/4 ID, COOLANT OVERFLOW
15	3341069		1	SENDER-OIL PRESSURE 12V
16	3341793		1	HOSE-RADIATOR BTM SHORT
17	3341806		1	SENDER-TEMPERATURE 1/8 NPT
18	3342078		1	ADAPTER-1.6L GM OIL SENDER
19	3343082		1	CLAMP-PIPE, 9/16 DIA, INSULATE
20	3343108		1	HOSE-1/2 ID X 20 EEC-PCV
21	3400081		5	NUT-HEX 1/4-20 ES
22	3401122		0.400	565 PST.ThrdSlnt50ml (WHITE LOCTITE 565)
23	3401466		1	SEAL-OIL PAN DRAIN, GM1.6L ENG
24	3401542		2	SCR - FHSCS, 1/4-20 X 3/4 L, Z

NOTE: Part numbers that span more than one column apply to the models listed in the heading of the columns.

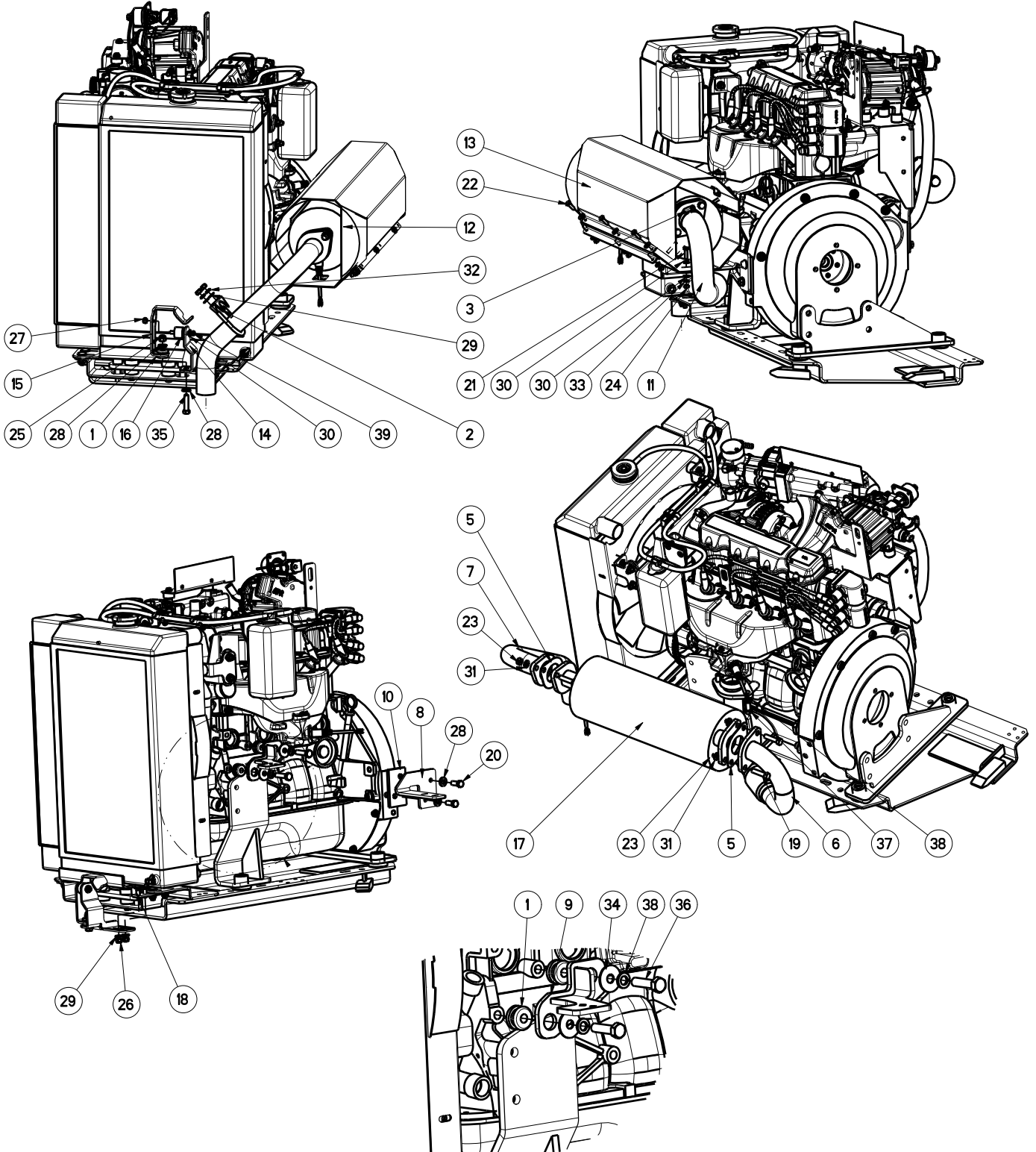
NOTE: The 9XR and 9XV models are available with GM1.6L LPG and gasoline engines. The 9XR Europe model is available with the GM1.6L LPG engine.

NOTE: Units beginning SN-18168059

ENGINE GM 1.6L LPG & GASOLINE - EXHAUST SYSTEM

NOTE: LPG Engine Shown

NOTE: Units beginning SN-18168059



ENGINE GM 1.6L LPG & GASOLINE - EXHAUST SYSTEM				
ITEM	PART NO.		REQ'D	DESCRIPTION
	LPG	GASOLINE		
1	3300465		3	ISOLATOR-RUBBER (.375IDx.81OD)
2	3301640		1	CLAMP-EXHAUST 1 3/4
3	3303255		2	CLAMP-HOSE 1.75 DIA NOMINAL
4	3318752		1	RESERVOIR - COOLANT OVRFLW 6.75" X 3.6" X 3.0"
5	3333656		2	GASKET-EXHAUST CATYLIST, 2" ID, 2 HOLE
6	3334890		1	WELD-EXHAUST, HEADER PIPE, ARM
7	3334891		1	WELD-EXHAUST, TAIL PIPE, ARMA
8	3335011		1	PLT-MNT, HEAT SHIELD, FRONT, ARMA
9	3335030		1	WELD- HEAT SHIELD MNT, FRONT,
10	3335193		1	ISOLATOR-RUBBER, SHIELD MOUNT,
11	3335884		1	PLT - WD, FRONT BAR, CENTER CONSOLE
12	3336029		1	PLT-HEAT SHIELD, EXHAUST, BOTTOM
13	3336030		1	WELD-HEAT SHIELD, EXHAUST, TOP
14	3336694		1	WELD - EXHAUST MNT, ISOLATOR BRKT
15	3336705		1	PLT - EXHAUST MNT BRKT ANGLED
16	3344112		3	ISO-CYL, 1 DIA X 3/4 X 1/4-20,
17	3350056		1	MUFFLER-GM 1/6 L TIER 2 CAT
18	3400009		6	SCR-CAR,5/16-18X1.00
19	3400028		4	SCR-HEX,3/8-16x1.50
20	3400030		2	SCR-HEX,3/8-16X1.00
21	3400041		5	SCR-HEX,1/4-20X0.88
22	3400042		5	SCR-HEX,1/4-20X0.75
23	3400068		4	NUT-HEX 3/8-16
24	3400071		9	NUT-HEX 1/4-20

NOTE: Part numbers that span more than one column apply to the models listed in the heading of the columns.

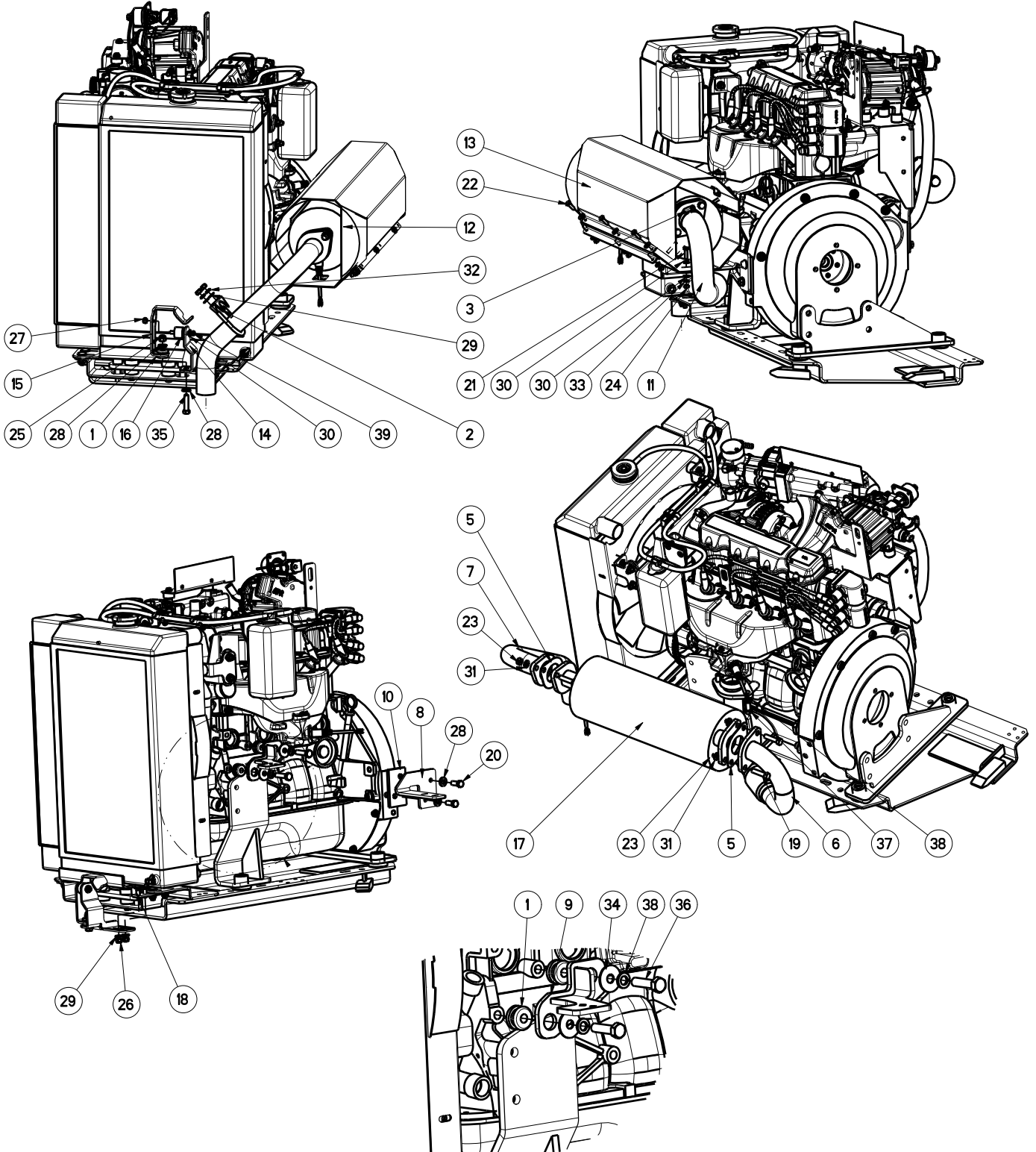
NOTE: The 9XR and 9XV models are available with GM1.6L LPG and gasoline engines. The 9XR Europe model is available with the GM1.6L LPG engine.

NOTE: Units beginning SN-18168059

ENGINE GM 1.6L LPG & GASOLINE - EXHAUST SYSTEM (CONTINUED)

NOTE: LPG Engine Shown

NOTE: Units beginning SN-18168059



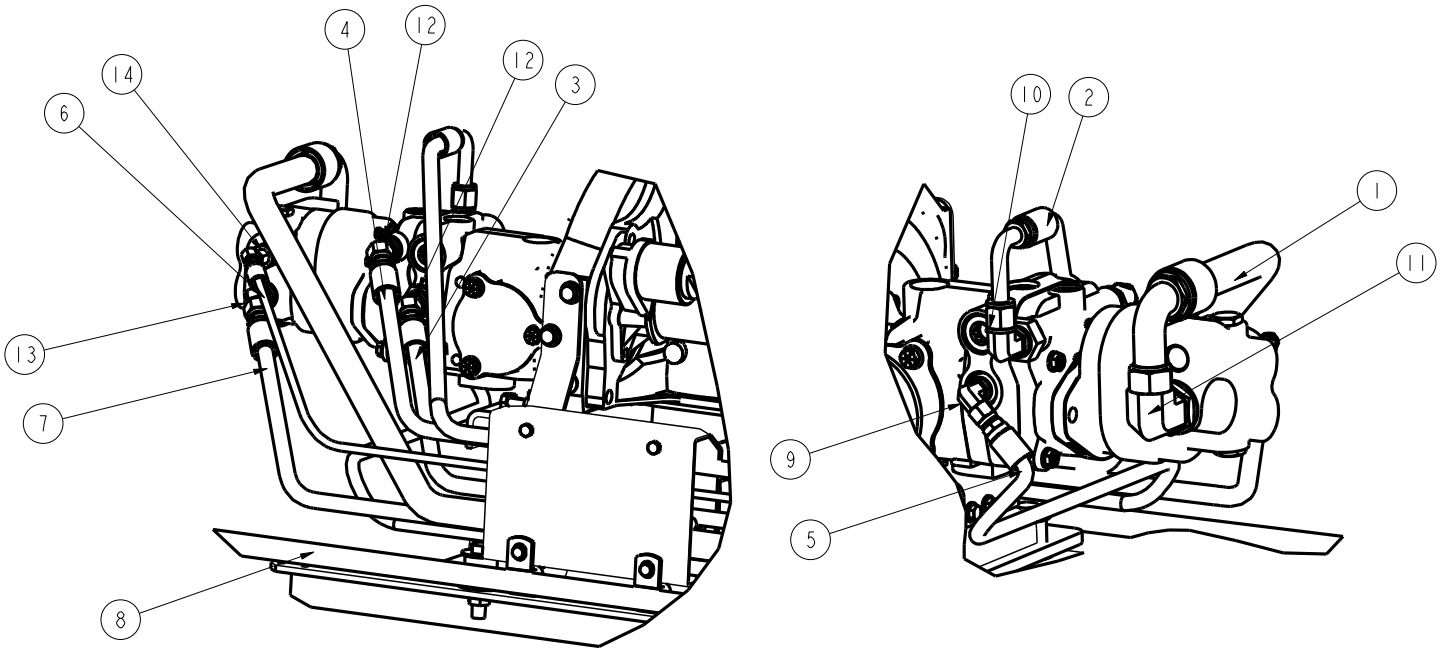
ENGINE GM 1.6L LPG & GASOLINE - EXHAUST SYSTEM (CONTINUED)				
ITEM	PART NO.		REQ'D	DESCRIPTION
	LPG	GASOLINE		
25	3400079		7	NUT-HEX 3/8-16 ES
26	3400080		8	NUT-HEX 5/16-18 ES
27	3400081		5	NUT-HEX 1/4-20 ES
28	3400087		4	WASHER-FLAT 3/8 STANDARD
29	3400088		10	WASHER-FLAT 5/16 IDx.688 ODx.0
30	3400089		16	WASHER-FLAT 1/4 STANDARD
31	3400101		4	WASHER-LOCK 3/8 SPLIT
32	3400102		2	WASHER-LOCK 5/16 SPLIT
33	3400103		12	WASHER-LOCK 1/4 SPLIT
34	3400278		4	WASHER-FENDER 3/8
35	3400455		1	SCR-HEX,3/8-16X1.50 SS
36	3400611		2	SCR-HHM 10 MM X 40 MM LG
37	3401051		2	SCR-M10-1.5 X 30 HEX HEAD GR 8.8
38	3401458		4	WASHER-LOCK 10MM
39	3401569		3	NUT-HEX JAM 1/4-20 ES

NOTE: Part numbers that span more than one column apply to the models listed in the heading of the columns.

NOTE: The 9XR and 9XV models are available with GM1.6L LPG and gasoline engines. The 9XR Europe model is available with the GM1.6L LPG engine.

NOTE: Units beginning SN-18168059

ENGINE GM 1.6L LPG & GASOLINE - HYDRAULIC HOSES & FITTINGS

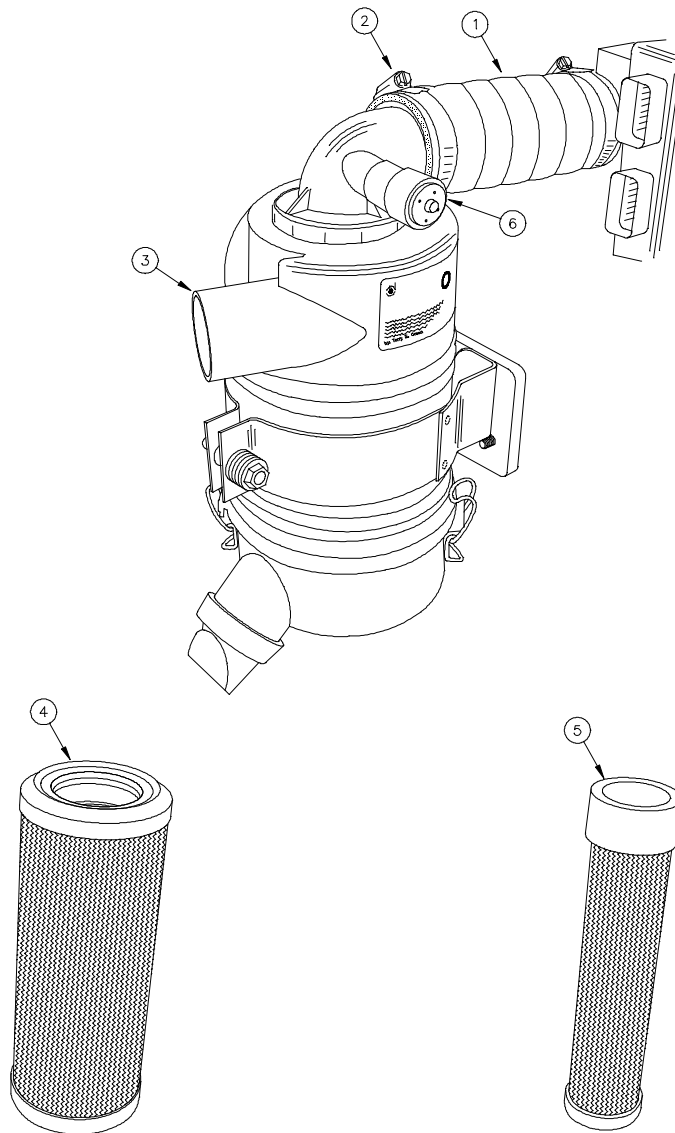


ENGINE GM 1.6L LPG & GASOLINE - HYDRAULIC HOSES & FITTINGS				
ITEM	PART NO.		REQ'D	DESCRIPTION
	LPG	GASOLINE		
1	3307669		1	HOSE-1.0 AR 160.00 ST#16 90L#16
2	3307682		1	HOSE-1/2 AR 178.00 ST#8 90L#8
3	3307684		1	HOSE-1/2 AR 168.50 ST#8 ST#8
4	3307685		1	HOSE-1/2 AR 151.50 ST#8 ST#8
5	3307686		1	HOSE-3/8 AR 160.50 ST#8 ST#6
6	3307687		1	HOSE-1/4 AR 151.00 ST#4 90L#4
7	3307688		1	HOSE-1/2 AR 152.00 ST#8 45#8
8	3334239		1	HOSE-3/4AR 163.00 #12ST #12ST
9	3400153		1	FTG-90 6MJIC X 6MORB
10	3400154		1	FTG-90 EL 3/4-16 MORB X -8JIC
11	3400156		1	FTG-90 #16 O-RING TO #12 JIC
12	3400157		2	FTG-45 3/4-16 TO #8
13	3400158		1	FTG-45 3/4-16 TO #8
14	3400248		1	FTG-SWIVEL 45 ELL #4JIC 1/4

NOTE: Part numbers that span more than one column apply to the models listed in the heading of the columns.

NOTE: The 9XR and 9XV models are available with GM1.6L LPG and gasoline engines. The 9XR Europe model is available with the GM1.6L LPG engine.

ENGINE GM 1.6L LPG & GASOLINE - AIR CLEANER



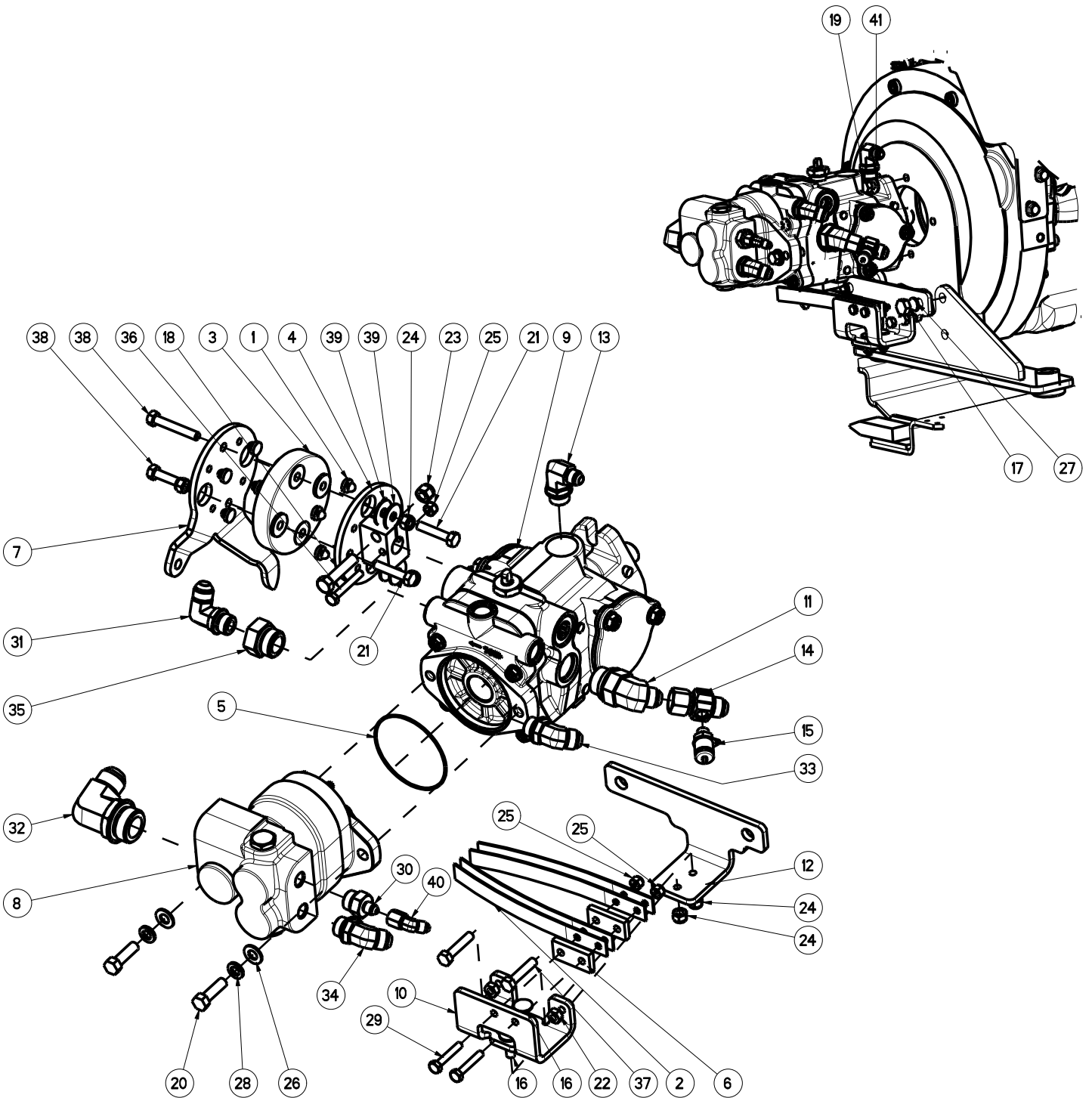
ENGINE GM 1.6L LPG & GASOLINE - AIR CLEANER				
ITEM	PART NO.		REQ'D	DESCRIPTION
	LPG	GASOLINE		
2	3312189		2	CLAMP-HOSE 2" NOMINAL SS WORM
3	3317917		1	AIR CLEANER-RADIAL SEAL FPG STYLE *Includes Items 3,4 & 5 *
4	3321143		1	ELEMENT-AIR CLEANER, PRIMARY
5	3322572		1	ELEMENT-AIR CLEANER, SAFETY
6	3303991		1	INDICATOR-AIR CLEANER RESTRICTION
*	3343708		1	MOUNTING BAND-AIR CLEANER (No Item Indicator Shown)

NOTE: Part numbers that span more than one column apply to the models listed in the heading of the columns.

NOTE: The 9XR and 9XV models are available with GM1.6L LPG and gasoline engines. The 9XR Europe model is available with the GM1.6L LPG engine.

ENGINE GM 1.6L - HYDRAULIC PUMP DETAILS

NOTE: Units beginning SN-18168059



ENGINE GM 1.6L - HYDRAULIC PUMP DETAILS				
ITEM	PART NO.		REQ'D	DESCRIPTION
	LPG	GASOLINE		
1		3300526	8	BUMPER-RUBBER 1/4 ID X 1/8 THK
2		3300543	4	SPRING-FWD/REV RETURN
3		3301507	2	COUPLING-RUBBER, DIR CONTROL
4		3301544	1	WELD-DISC FWD/REV
5		3303711	1	ORING-STATIC SEAL 3.239 ID
6		3303918	1	SPACER-FWD/REV BRACKET
7		3307219	2	PLT-DIRECTIONAL CONT PLTD
8		3321397	1	PUMP-HYDRAULIC AUX W/FLOW DIR
9		3335072	1	PUMP-PISTON, VARIABLE, 1.44 CID
10		3335301	1	BRACKET - FWD/REV . 9X
11		3335709	1	FTG-45° 1-1/16-12 X 1/2", STR#12-JIC37°#8
12		3335883	1	BRKT-MOUNT, FWD/REV ADJUST
13		3341130	1	FTG-90 3/4-16 TO #6
14		3342204	1	FTG-GAUGE PORT
15		3342205	1	COUPLING-TEST 4 MALE 0-ROMG (7/16-20)
16		3400009	2	SCR-CAR,5/16-18X1.00
17		3400022	2	SCR-HEX,1/2-13X1.25
18		3400027	1	SCR-HEX,3/8-16X1.75
19		3400028	2	SCR-HEX,3/8-16x1.50
20		3400029	2	SCR-HEX, 3/8-16x1.25
21		3400033	2	SCR-HEX,5/16-18X1.50
22		3400069	2	NUT-HEX 5/16-24
23		3400079	1	NUT-HEX 3/8-16 ES
24		3400080	6	NUT-HEX 5/16-18 ES
25		3400081	3	NUT-HEX 1/4-20 ES
26		3400087	2	WASHER-FLAT 3/8 STANDARD
27		3400098	2	WASHER-LOCK 1/2 SPLIT

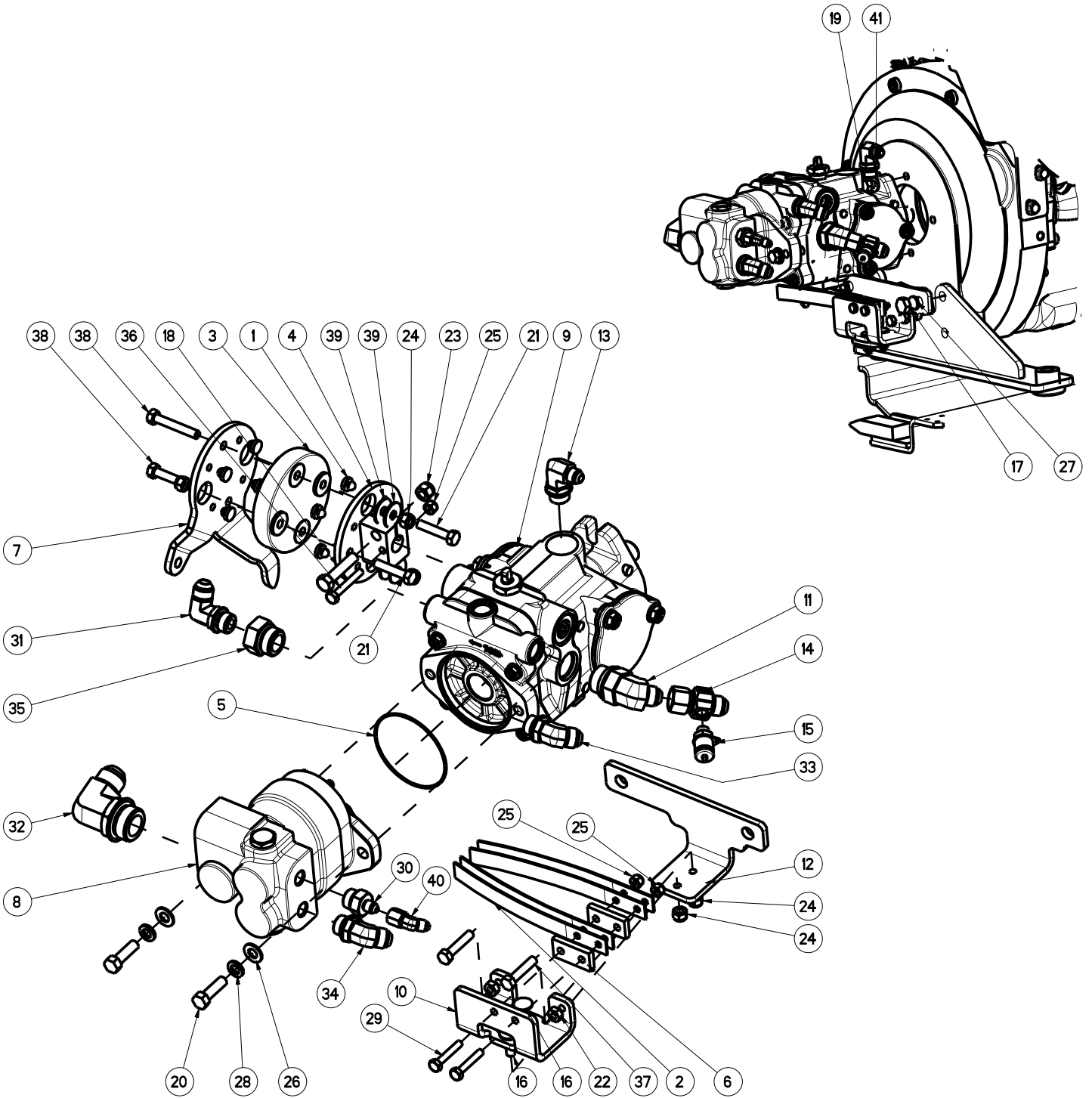
NOTE: Part numbers that span more than one column apply to the models listed in the heading of the columns.

NOTE:The 9XR and 9XV models are available with GM1.6L LPG and gasoline engines. The 9XR Europe model is available with the GM1.6L LPG engine.

NOTE: Units beginning SN-18168059

ENGINE GM 1.6L - HYDRAULIC PUMP DETAILS (CONTINUED)

NOTE: Units beginning SN-18168059



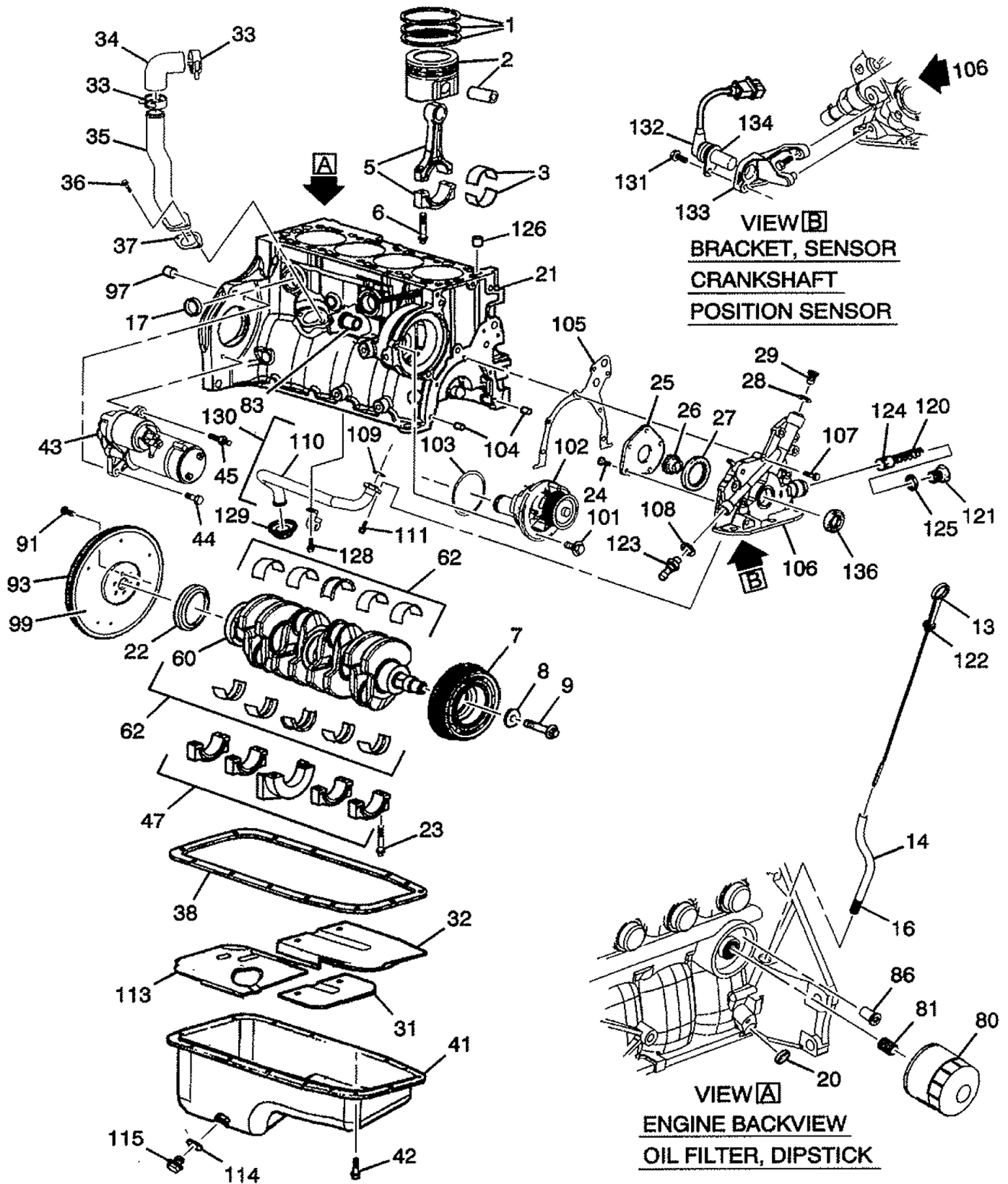
ENGINE GM 1.6L - HYDRAULIC PUMP DETAILS (CONTINUED)				
ITEM	PART NO.		REQ'D	DESCRIPTION
	LPG	GASOLINE		
28	3400101		2	WASHER-LOCK 3/8 SPLIT
29	3400149		2	SCR-HEX, 1/4-20x1.50
30	3400150		1	FTG-STR 3/4-16 TO #4
31	3400154		1	FTG-90 3/4-16 TO #8
32	3400156		1	FTG-90 1 5/16-12 TO #16
33	3400157		1	FTG-45° 3/4-16 TO #8
34	3400158		1	FTG-45° 7/8-14 TO #8
35	3400167		1	FTG-ADAPTER 1 1/6-12 EXT
36	3400173		1	SCR-HEX, 1/4-20X1.75
37	3400228		2	SCR-HEX, 5/16-24x1.5 FULL THD
38	3400231		2	SCR-HEX, 5/16-18X2.0
39	3400233		4	WASHER-FENDER 5/16 1.00 OD
40	3400248		1	FTG-SWIVEL 45 ELL #4JIC 1/4
41	3400385		2	WASHER-CONICAL SPRING 3/8

NOTE: Part numbers that span more than one column apply to the models listed in the heading of the columns.

NOTE: The 9XR and 9XV models are available with GM1.6L LPG and gasoline engines. The 9XR Europe model is available with the GM1.6L LPG engine.

NOTE: Units beginning SN-18168059

ENGINE GM 1.6L - ENGINE COMPONENT BREAKDOWN ILLUSTRATION 1



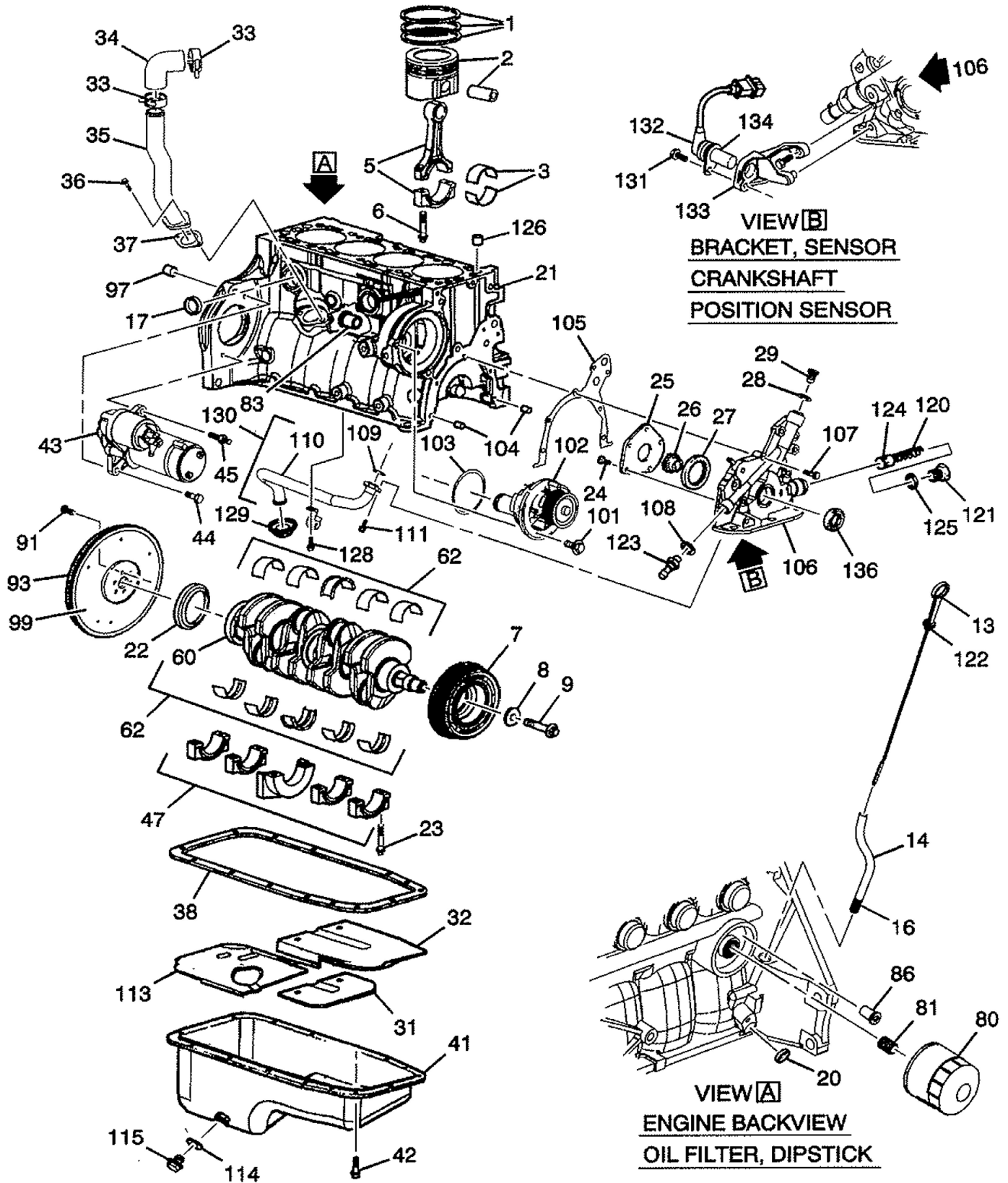
ENGINE GM 1.6L - ENGINE COMPONENT BREAKDOWN ILLUSTRATION 1

ITEM	PART NO.		REQ'D	DESCRIPTION
	LPG	GASOLINE		
1	3338733		4	RING KIT, PISTON (STD)
2	3338734		1	PISTON WFPIN (STD) (INELS 1,5,6)
3	3338735		1	BEARING KIT, CONNECTING ROD (STD)
5	3338736		1	ROD, CONNECTING (ALSO PART OF 2)
6	3338737		8	BOLT, CONNECTING ROD (ALSO PART OF 2)
7	3342317		1	PULLEY, CRANKSHAFT
8	3338738		1	WASHER, CRANKSHAFT PULLEY
9	3338739		1	BOLT, CRANKSHAFT PULLEY
13	3338740		1	DIPSTICK
14	3338741		1	TUBE, DIPSTICK
16	3338742		AR	SEALER, CAMSHAFT BEARING HOLD PLUG
17	3338743		6	PLUG, ENG BLOCK COOL DRAIN HOLE
20	3338744		AR	PLUG, ENG BLOCK CORE HOLE
21	3338745		1	ENGINE, SERVICE
22	3343659		1	SEAL, CRANKSHAFT REAR OIL
23	3338746		10	BOLT, CRANKSHAFT BEARING CAP
24	3338747		5	BOLT, OIL PUMP COVER (ALSO PART OF 106)
25	3338748		1	COVER, OIL PUMP (ALSO PART OF 106)
26	3338749		1	GEAR, OIL PUMP DRIVE (ALSO PART OF 106)
27	3337397		1	GEAR, OIL PUMP DRIVE (ALSO PART OF 106)
28	3342329		1	SEAL, OIL PUMP HOUSING
29	3338750		1	PLUG, OIL PUMP HOUSING
30	3338751		1	BAFFLE, OIL PAN
	3338752		1	BAFFLE, OIL PAN
31	N/A		-	PART OF ITEM 41
32	3338754		1	BAFFLE, OIL PAN (ALSO PART OF 41)
33	3338755		2	CLAMP, PCV HOSE
34	3343669		1	HOSE, PCV
35	3338756		1	TUBE, PCV
36	3338757		2	BOLL, PCV TUBE

NOTE: Part numbers that span more than one column apply to the models listed in the heading of the columns.

NOTE: The 9XR and 9XV models are available with GM1.6L LPG and gasoline engines. The 9XR Europe model is available with the GM1.6L LPG engine.

ENGINE GM 1.6L - ENGINE COMPONENT BREAKDOWN ILLUSTRATION 1 (CONTINUED)

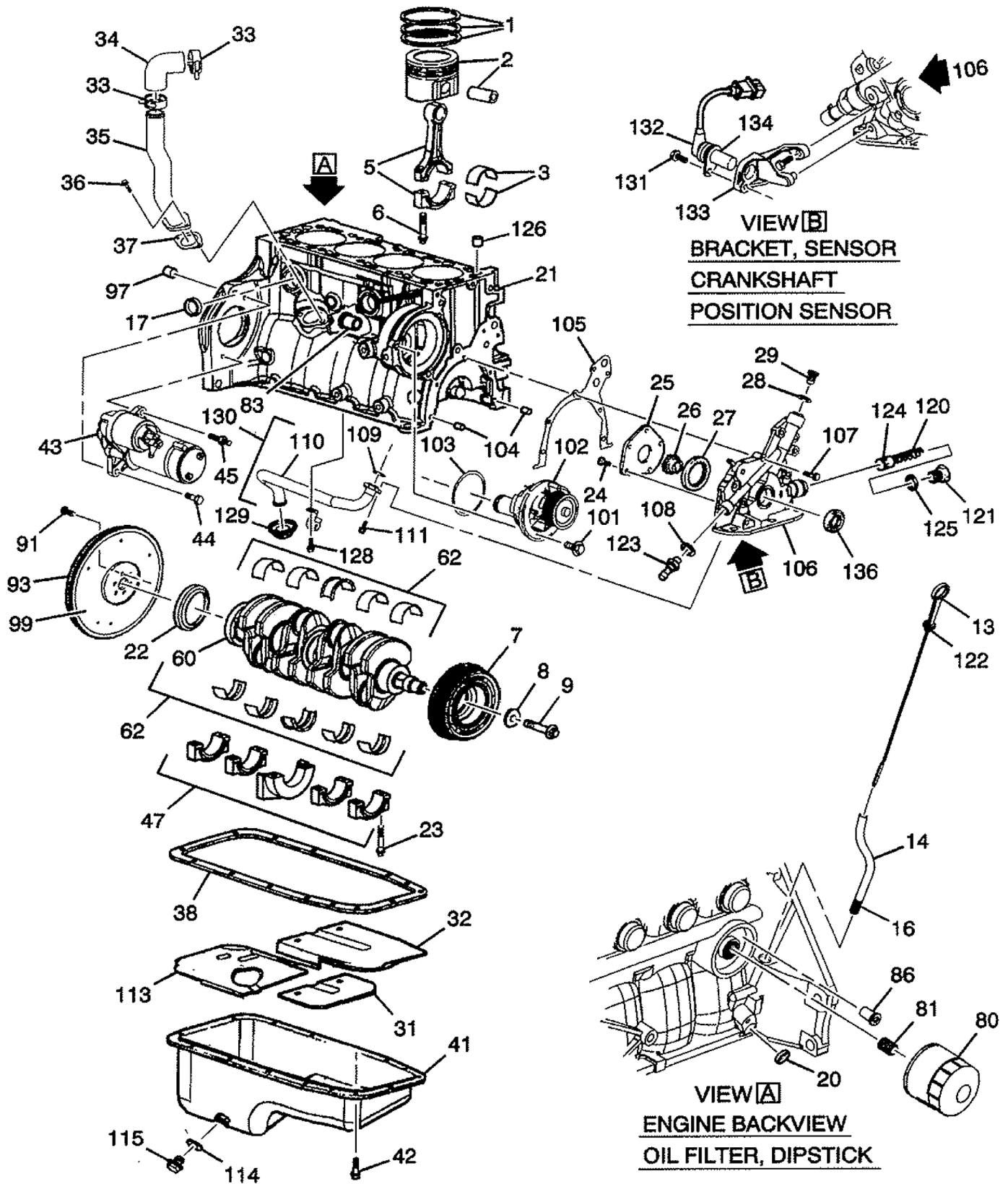


ENGINE GM 1.6L - ENGINE COMPONENT BREAKDOWN ILLUSTRATION 1 (CONTINUED)				
ITEM	PART NO.		REQ'D	DESCRIPTION
	LPG	GASOLINE		
37	3342331		1	GASKET, PCV TUBE
38	3338758		1	GASKET, OIL PAN
41	3343662		1	PAN, OIL (INCLS 31, 113,114,115)
42	3338759		15	BOLT, OIL PAN
43	3342333		1	STARTER (BOSCH TYPE), BEFORE S/N 1P6L1315
	3336742		1	STARTER (DELCO TYPE), AFTER S/N 1P6L1315
44	3343613		1	BOLT, STARTER
45	3343612		1	STUD, STARTER
60	3338760		1	CRANKSHAFT
62	3338761		4	BEARING KIT, CRANKSHAFT (POSN#1,2,4,5) (.25MM GREEN)
	3338762		4	BEARING KIT, CRANKSHAFT (POSN#3) (STD BROWN)
	3338763		4	BEARING KIT, CRANKSHAFT (POSN#1,2,3,4,5) (STD BRN/BLUE)
	3338764		4	BEARING KIT, CRANKSHAFT (POSN#4) (.50MM GREEN/BLUE)
	3338765		4	BEARING KIT, CRANKSHAFT (POSN#3) (STD GREEN)
	3338766		4	BEARING KIT, CRANKSHAFT (POSN# 1,2,4,5) (STD BROWN)
66	3338767		1	VALVE, OIL FILTER BYPASS
80	3342201		1	FILTER, OIL
81	3343655		1	FITTING, OIL FITTER
82	3338768		1	SPROCKET, WATER PUMP
91	3338769		6	BOLT, FLYWHEEL
97	3338770		2	PIN, TRANS LOCK
99	3338771		1	FLYWHEEL
101	3338772		3	BOLT, WATER PUMP COVER
102	3343668		1	PUMP KIT, WATER
103	3338773		1	SEAL, WATER PUMP COVER
104	3338774		2	PIN, OIL PUMP HOUSING LOCK
105	3337396		1	GASKET, OIL PUMP
106	3338775		1	PUMP, OIL (INCLS: 24,25,26,27,121,125)
107	3338776		6	BOLL. OIL PUMP
108	3338777		1	SEAL, OIL PAN DRAIN PLUG
109	3338778		1	SEAL, OIL PUMP SUE PIPE

NOTE: Part numbers that span more than one column apply to the models listed in the heading of the columns.

NOTE: The 9XR and 9XV models are available with GM1.6L LPG and gasoline engines. The 9XR Europe model is available with the GM1.6L LPG engine.

ENGINE GM 1.6L - ENGINE COMPONENT BREAKDOWN ILLUSTRATION 1 (CONTINUED)



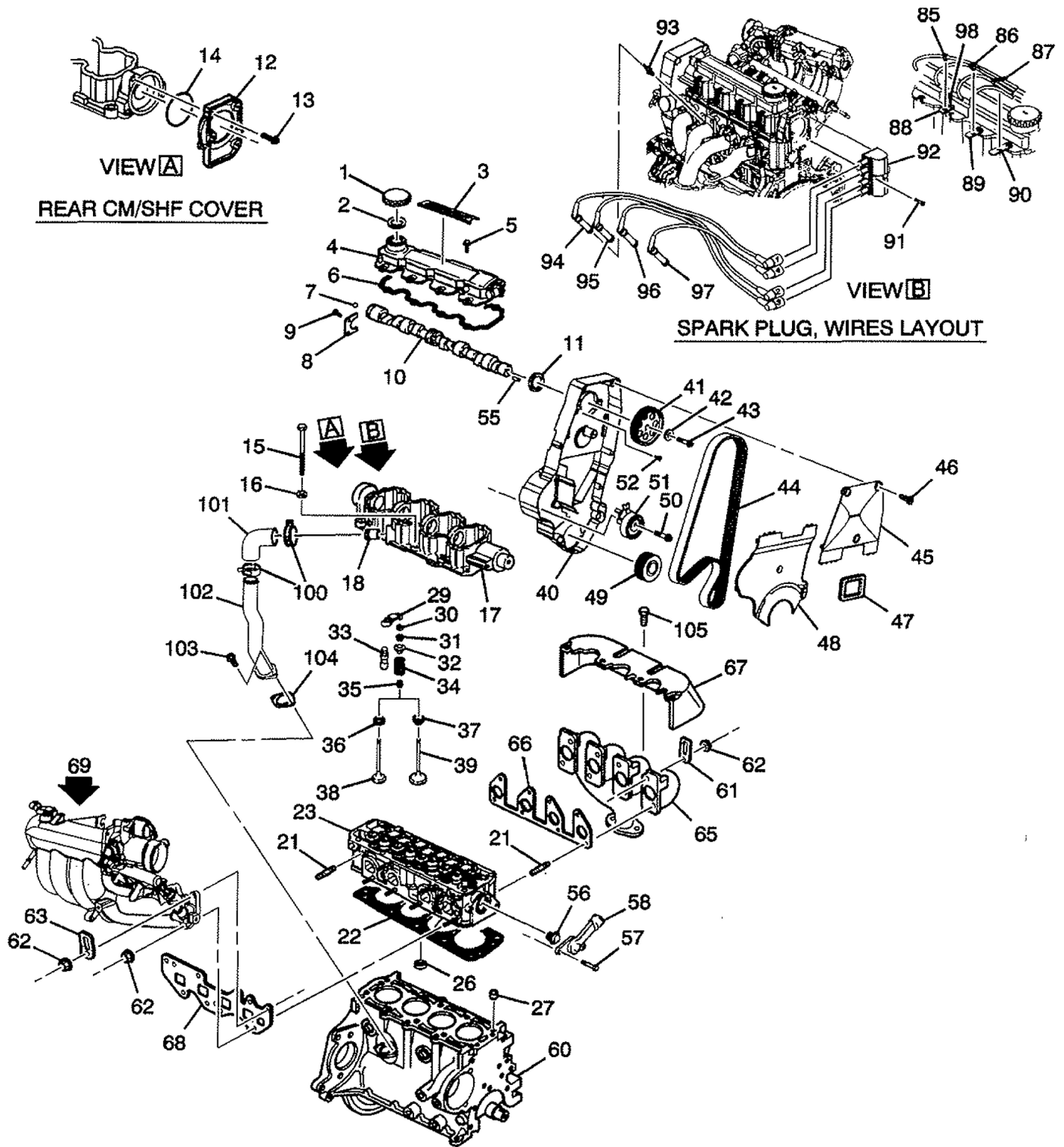
ENGINE GM 1.6L - ENGINE COMPONENT BREAKDOWN ILLUSTRATION 1 (CONTINUED)

ITEM	PART NO.		REQ'D	DESCRIPTION
	LPG	GASOLINE		
110	3338779		1	PIPE, OIL PUMP SUE (PART OF 130)
111	3338780		2	BOLL, OIL PUMP SCREEN
112	3338781		1	BOLT, OIL PUMP SCREEN BRACKET
113	3338782		1	BAFFLE, OIL PAN
	3338783		1	BAFFLE, OIL PAN
114	3338784		1	SEAL, OIL PAN DRAIN PLUG (ALSO PART OF 41)
115	3343651		1	PLUG, OIL PAN DRAIN (ALSO PART OF 41)
120	3338785		1	SPRING. OIL PRESSURE RELIEF VALVE (ALSO PART OF 106)
121	3338786		1	PLUG, OIL PRESSURE RELIEF VALVE BORE (PART OF 106)
122	3338787		1	SEAL, OIL FILLER CAP (PART OF 13)
123	3343661		1	SWITCH, ENG OIL PRESSURE INDICATOR
124	3338788		1	VALVE, OIL PRESSURE RELIEF
125	3338789		1	GASKET, OIL PRESSURE RELIEF VALVE BORE PLUG (PART OF 106)
126	3338790		2	PIN, CAMSHAFT HOUSING LOCK
128	3338791		1	BRACKET, OIL PUMP SCREEN
129	N/A			PART OF ITEM 130
130	3338793		1	SCREEN, OIL PUMP (INCLS: 110,129)
131	3338794		1	BOLT. CRANKSHAFT POSN SENSOR BRACKET
132	3342351		1	SENSOR, CRANKSHAFT POSN
133	3338795		1	BRACKET, CRANKSHAFT POSN SENSOR LEAD CLIP
134	3338796		3	BOLT, CRANKSHAFT POSN SENSOR
136	3337398		1	SEAL, OIL PUMP

NOTE: Part numbers that span more than one column apply to the models listed in the heading of the columns.

NOTE: The 9XR and 9XV models are available with GM1.6L LPG and gasoline engines. The 9XR Europe model is available with the GM1.6L LPG engine.

ENGINE GM 1.6L - ENGINE COMPONENT BREAKDOWN ILLUSTRATION 2



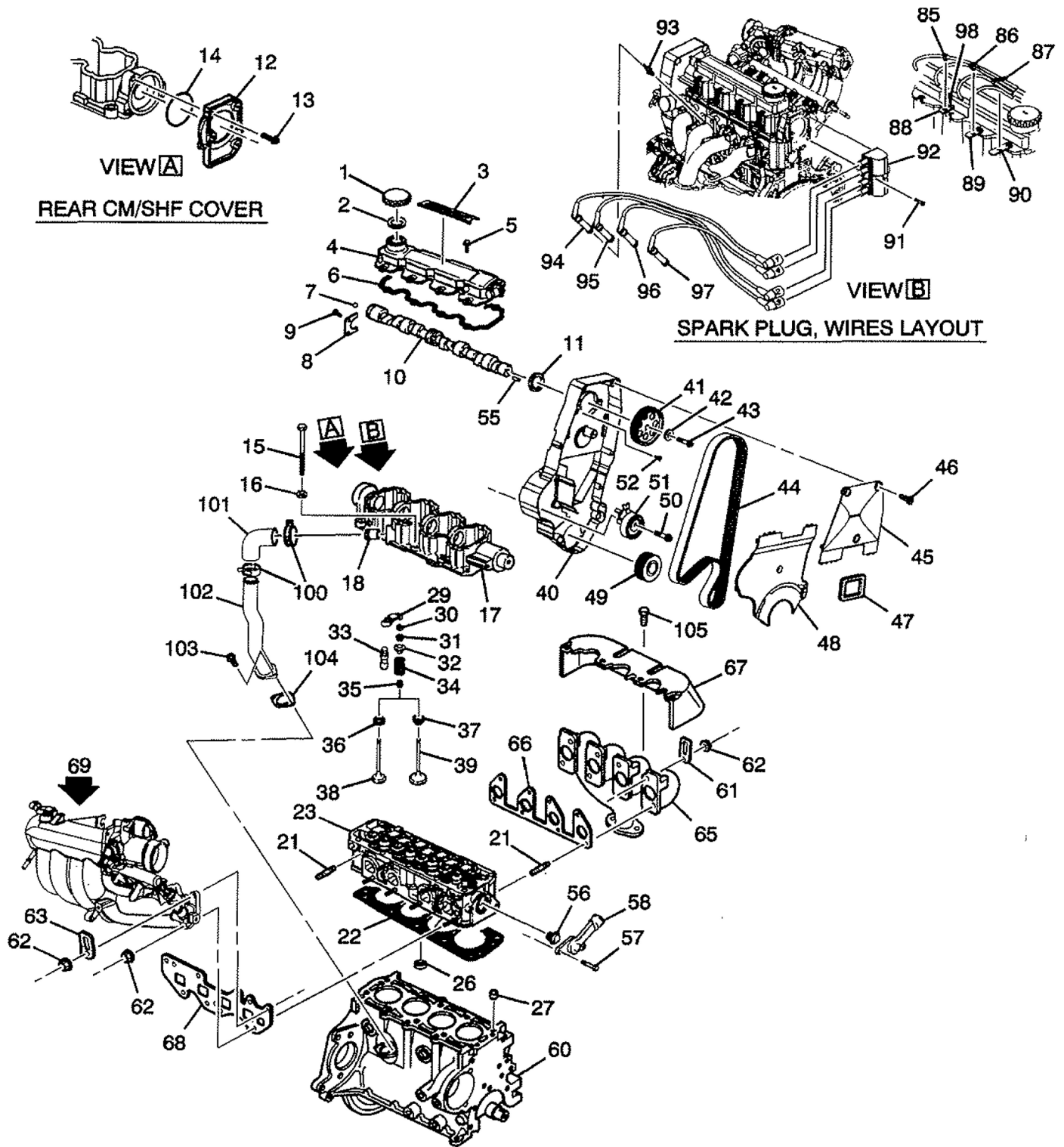
ENGINE GM 1.6L - ENGINE COMPONENT BREAKDOWN ILLUSTRATION 2

ITEM	PART NO.		REQ'D	DESCRIPTION
	LPG	GASOLINE		
1	3342352		1	CAP, OIL FILLER (INCLUDES ITEM 2 SEAL)
2	3338688		1	SEAL, OIL FILLER CAP
3				PART OF ITEM 4
4	3342354		1	COVER, CAMSHAFT HOUSING
5	3338689		8	BOLT, OIL
6	3342356		1	GASKET, CAMSHAFT HOUSING COVER
7	3338690		2	BALL. CAMSHAFT OIL RSTR (ALSO PART OF 10)
8	3338691		1	RETAINER, CAMSHAFT
9	3342363		2	BOLT, CAMSHAFT RET.
10	3338692		1	CAMSHAFT (INCLS: 7,55)
11	3342361		1	SEAL, CAMSHAFT
12	3338693		1	COVER, CAMSHAFT HOUSING
13	3338694		3	BOLT, CAMSHAFT REAR COVER
14	3342364		1	SEAL, CAMSHAFT HOUSING COVER BOLT
15	3343658		10	BOLT, CYLINDER HEAD
16	3338695		1	WASHER, CAMSHAFT SPROCKET
17	3338696		1	HOUSING, CAMSHAFT
18	3338697		1	TUBE.PCV
21	3342368		5	STUD, INTAKE MANIFOLD
22	3342365		1	GASKET KIT. CYLINDER HEAD
23	3343660		1	HEAD. CYLINDER
26	3343664		4	SEAT, EXHAUST VALVE
	3343665		4	SEAT, EXHAUST VALVE (0.2MM OS)
	3343666		4	SEAT. EXHAUST VALVE (0.4MM OS)
	3343667		4	SEAT, EXHAUST VALVE
27	3338698		2	PIN, CAMSHAFT HOUSING LOCK
29	3342371		ARM,	VALVE ROCKER
30	3338699		8	SEAT, VALVE ROCKER ARM VALVE
	3338700		8	SEAT, VALVE ROCKER ARM VALVE (CUP SHAPE 19X29X7)
31	3343663		16	KEY, VALVE STEM
32	3342374		4	CAP, VALVE SPRING
33	3338701		8	ADJUSTERM, HYDRAULIC VALVE LASH
34	3338702		8	SPRING, VALVE (INTAKE AND EXHAUST)
35	3343670		8	SEAL, VALVE STEM OIL
36	3338703		4	ROTATOR, VALVE

NOTE: Part numbers that span more than one column apply to the models listed in the heading of the columns.

NOTE: The 9XR and 9XV models are available with GM1.6L LPG and gasoline engines. The 9XR Europe model is available with the GM1.6L LPG engine.

ENGINE GM 1.6L - ENGINE COMPONENT BREAKDOWN ILLUSTRATION 2 (CONTINUED)



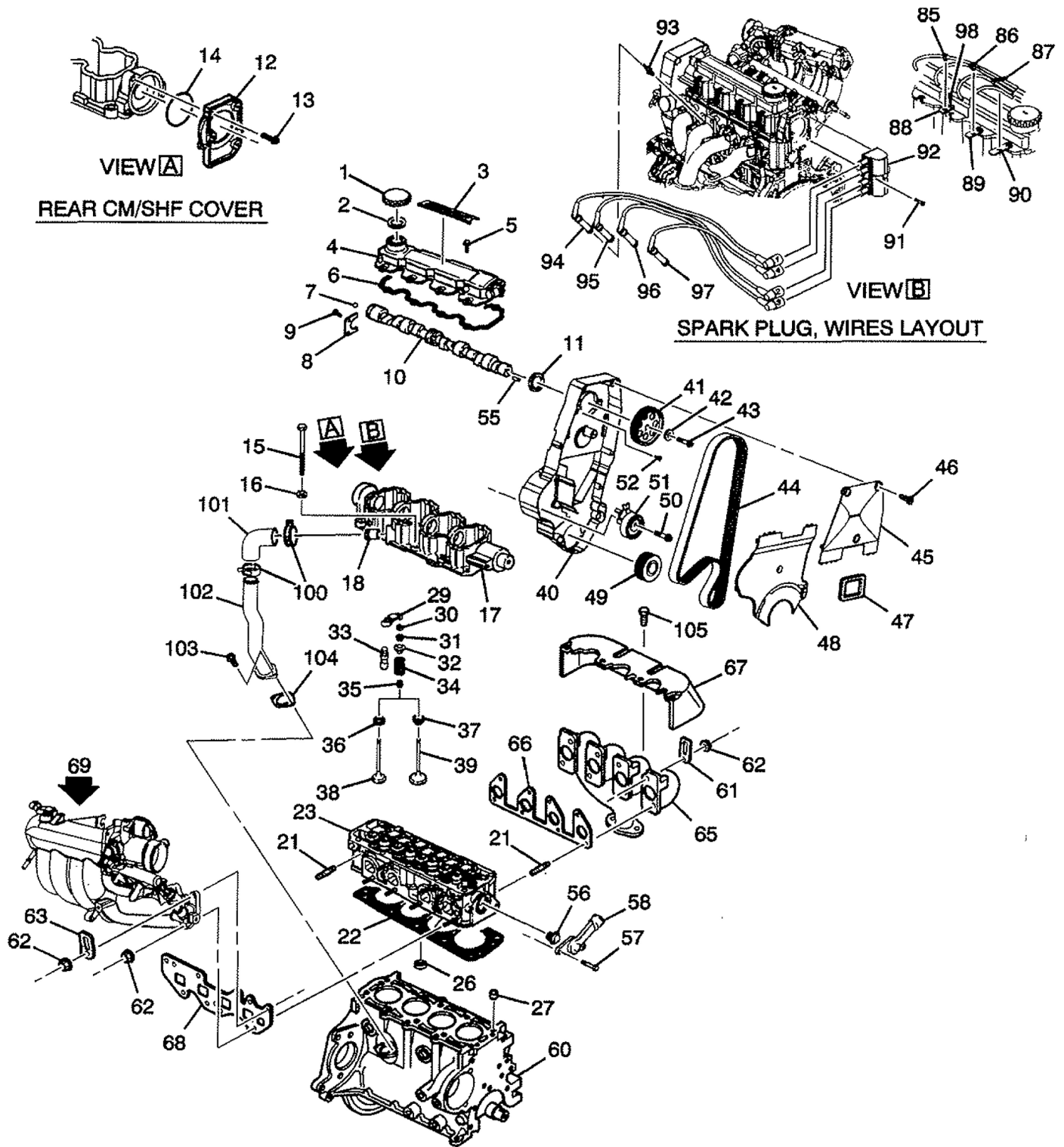
ENGINE GM 1.6L - ENGINE COMPONENT BREAKDOWN ILLUSTRATION 2 (CONTINUED)

ITEM	PART NO.		REQ'D	DESCRIPTION
	LPG	GASOLINE		
37	3338704		8	SEAT, VALVE ROCKER ARM VALVE
	3338705		8	SEAT, VALVE ROCKER ARM VALVE (CUP SHAPE 19X29X7)
38	3342379		4	VALVE, EXHAUST
39	3342380		1	VALVE, INTAKE
40	3343656		1	COVER, TIMING BELT FRONT
41	3342382		1	SPROCKET, CAMSHAFT
42	3338706		1	WASHER, CAMSHAFT SPROCKET
43	3338707		1	BOLL, CAMSHAFT SPROCKET
44	3342385		1	BELT, TIMING (111 TEETH)
45	3342389		1	COVER, TIMING BELT FRONT
46	3338708		6	BOLT, ENG FRONT COVER
48	3342386		1	COVER, TIMING BELT FRONT
49	3343650		1	SPROCKET, CRANKSHAFT
50	3338709		1	BOLL, CAMSHAFT SPROCKET
51	3338710		1	TENSIONER, TIMING BELT
52	3338711		4	BOLT, TIMING BELT REAR COVER
55	3338712		2	PIN, CAMSHAFT HOUSING LOCK
56	3338713		1	THERMOSTAT {INCLS: 58}
57	3338714		2	BOLT, GENERATOR FRONT BRACKET
58	N/A		-	PART OF ITEM 56
60	3338716		1	ENGINE
62	3338717		8	NUT, INTAKE MANIFOLD
65	3343657		1	MANIFOLD, EXHAUST
66	3343652		1	GASKET, EXHAUST MANIFOLD
67	3343864		1	SHEILD, EXHAUST MANIFOLD
68	3343654		1	GASKET, INTAKET MANIFOLD
69	3343645		1	INTAKE MANIFOLD
85	3338720		1	RETAINER, SPARK PLUG WIRE HARNESS
86	3338721		1	RETAINER, SPARK PLUG WIRE HARNESS
87	3338722		1	RETAINER, SPARK PLUG WIRE HARNESS
88	3338723		1	BRACKET, SPARK PLUG WIRE RET
89	3338724		1	BRACKET, SPARK PLUG WIRE RET
90	3338725		1	BRACKET, SPARK PLUG WIRE RET

NOTE: Part numbers that span more than one column apply to the models listed in the heading of the columns.

NOTE: The 9XR and 9XV models are available with GM1.6L LPG and gasoline engines. The 9XR Europe model is available with the GM1.6L LPG engine.

ENGINE GM 1.6L - ENGINE COMPONENT BREAKDOWN ILLUSTRATION 2 (CONTINUED)

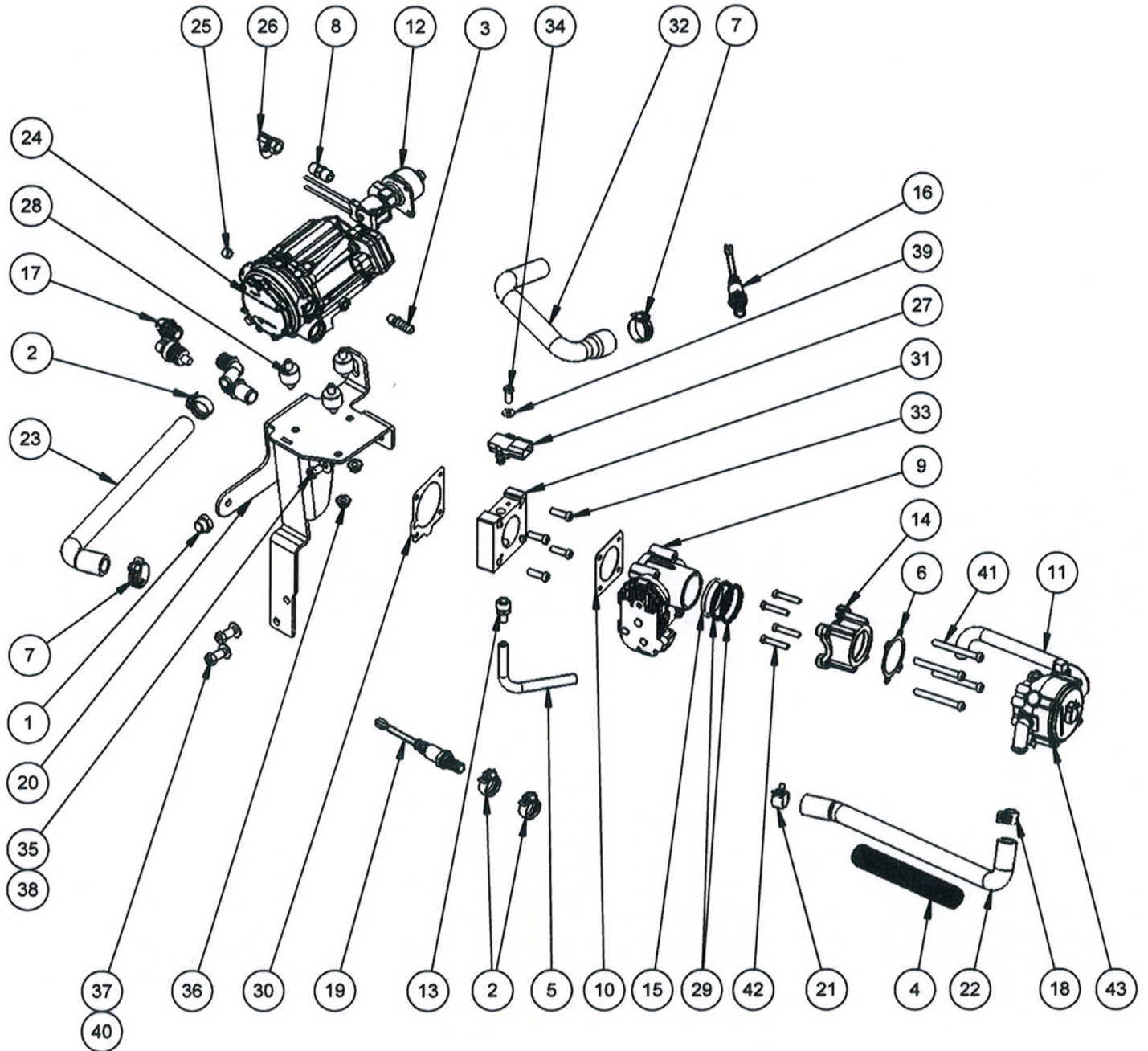


ENGINE GM 1.6L - ENGINE COMPONENT BREAKDOWN ILLUSTRATION 2 (CONTINUED)			
ITEM	PART NO.	REQ'D	DESCRIPTION
91	3338726	3	BOLT, IGNITION COIL BRACKET
92	3342408	1	COIL, IGNITION
93	3342409	4	SPARK PLUG
94	3342410	1	WIRE, SPARK PLUG CYLINDER #1 (435MM)
95	3342411	1	WIRE, SPARK PLUG CYLINDER #2 (365MM)
96	3342412	1	WIRE, SPARK PLUG CYLINDER #3 (275MM)
97	3342413	1	WIRE, SPARK PLUG CYLINDER #4 (185MM)
98	3338727	3	BOLT, IGNITION COIL BRACKET
100	3338728	2	CLAMP, PEV HOSE
101	3338729	1	HOSE, PEV
102	3338730	1	TUBE, PCV
103	3338731	2	BOLT, PEV TUBE
104	3338732	1	GASKET, PEV TUBE

NOTE: Part numbers that span more than one column apply to the models listed in the heading of the columns.

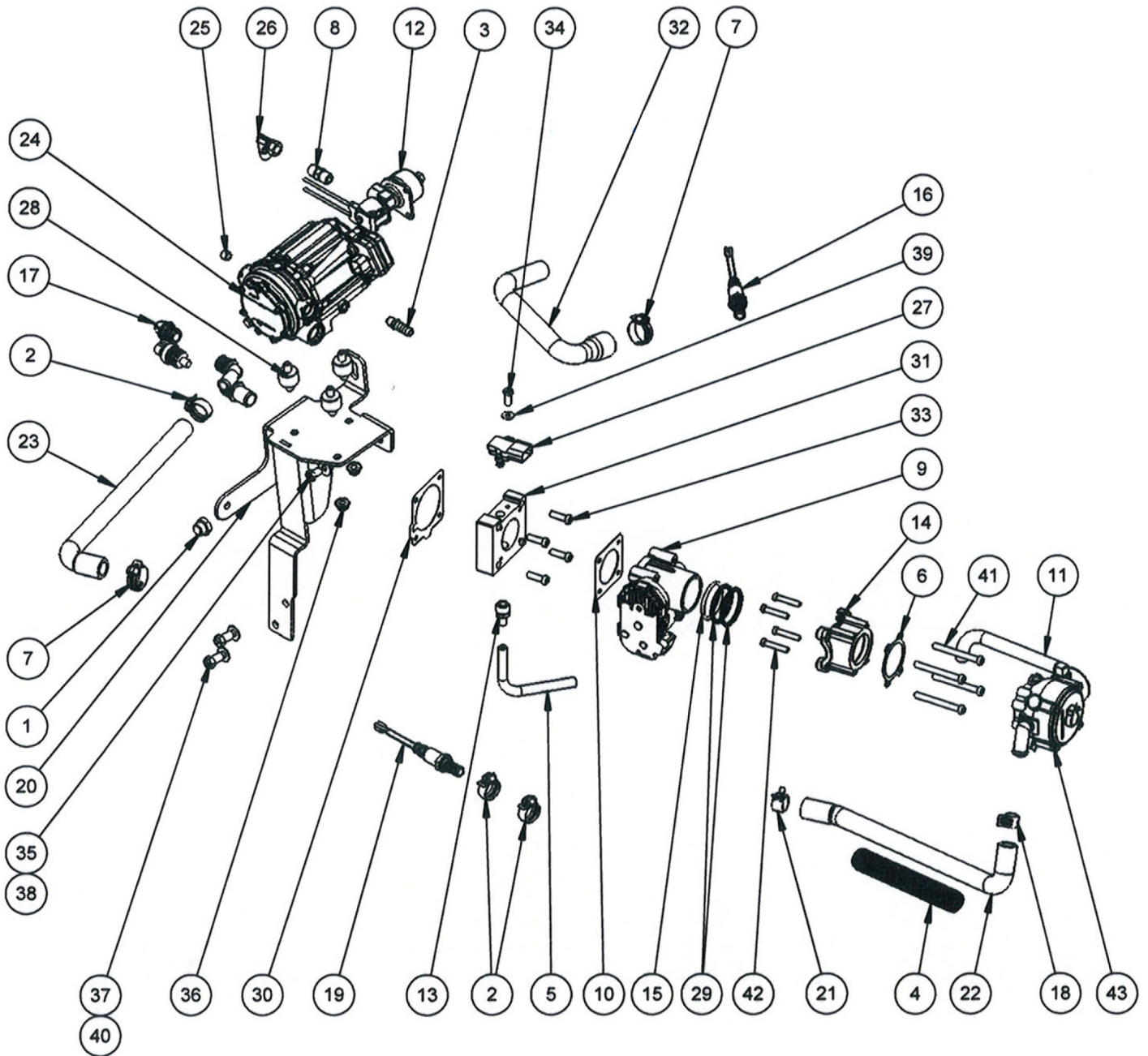
NOTE: The 9XR and 9XV models are available with GM1.6L LPG and gasoline engines. The 9XR Europe model is available with the GM1.6L LPG engine.

ENGINE GM 1.6L - LPG FUEL SYSTEM T2



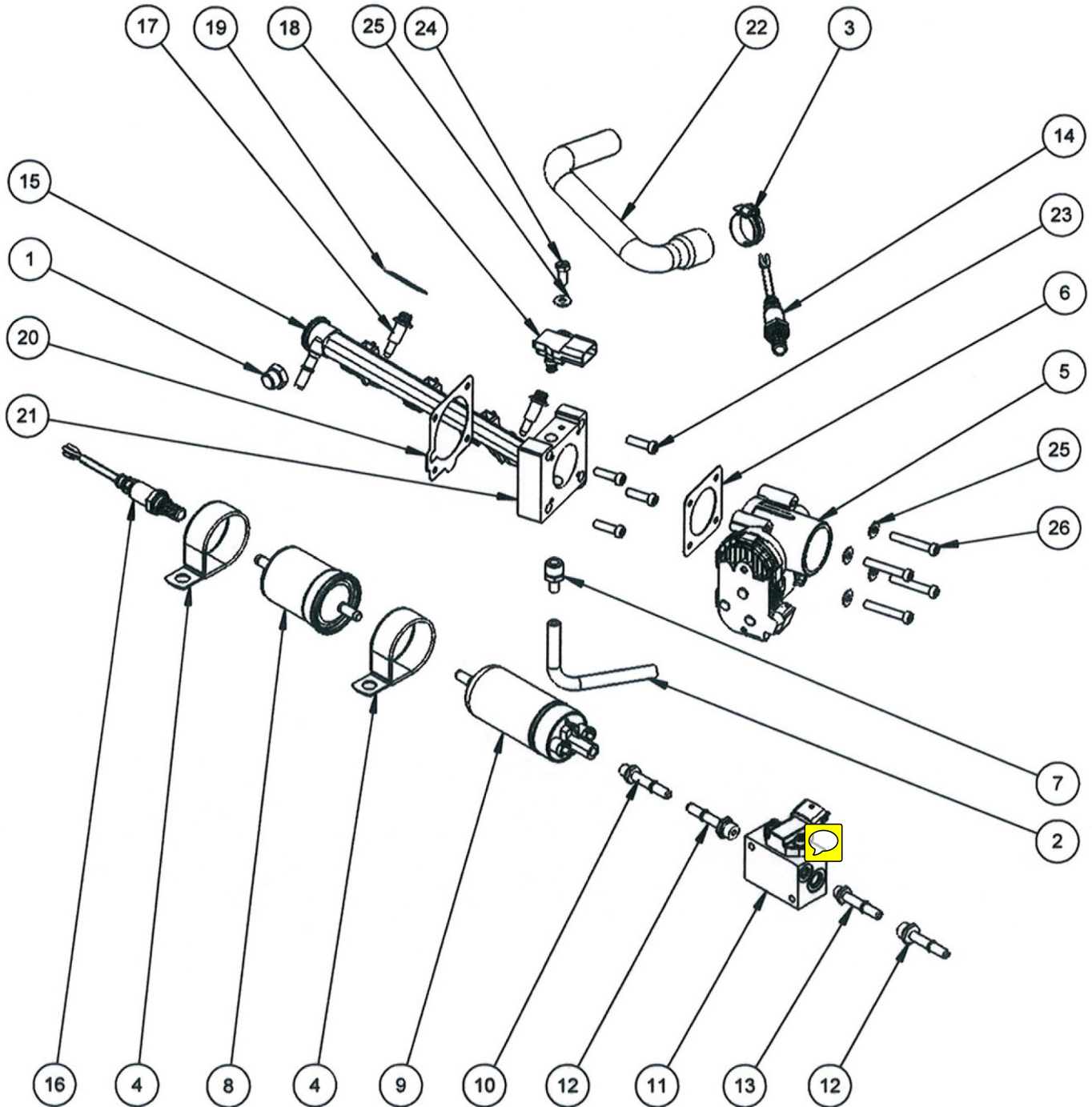
ENGINE GM 1.6L - LPG FUEL SYSTEM T2			
ITEM	PART NO.	REQ'D	DESCRIPTION
	LPG		
1	3339831	1	PLUG-M16 INTAKE MANIFOLD GM T2
2	3339843	3	CLAMP-WORM DRIVE (1/2" WIDTH) HOSE CLAMP (SAE 10) 9/16
3	3339844	1	*INTENTIONAL NUMBER SKIP*
4	3339845	1	LOOM-SPLIT 1" GM T2
5	3339832	1	HOSE-VACUUM 7/32" GM T2
6	3339846	1	GASKET-ADAPTER GM T2
7	3339833	2	CLAMP-WORM DRIVE (1/2" WIDTH) HOSE CLAMP (SAE 12) 11/16
8	3339847	1	NIPPLE-1/4 NPT X 1-3/8 HEX GM T2
9	3339822	1	THROTTLE BODY-40MM GM T2
10	3339834	1	GASKET-4 BOLT, TB GM T2
11	3339848	1	HOSE-FUEL 3/8 DIA. GM T2
12	3339849	1	VALVE-LOCK-OFF GM T2
13	3339835	1	FTG-VAC M16-1.5-6H GM T2
14	3339850	1	ADAPTER- GM T2
15	3339851	1	O-RING-MXR ADPTR 40MM/100 GM T2
16	3343629	1	SENSOR,02 @ MANIFOLD
17	3339852	2	FTG-KIT, EPR GM T2
18	3339853	1	CLAMP-5/8, HOSE (SPRING TYPE) GM T2
19	3343630	1	SENSOR,02 POST CAT
20	3339854	1	BRKT-WELDMENT, REGULATOR MOUNT GM T2
21	3339855	1	CLAMP-3/4, HOSE (SPRING TYPE) GM T2
22	3339856	1	HOSE-MOLDED FUEL GM T2
23	3339857	1	HOSE-MOLDED FUEL GM T2 #2
24	3339858	1	REGULATOR-ELECT PRESS 2007 UL GM T2

ENGINE GM 1.6L - LPG FUEL SYSTEM T2 (CONTINUED)



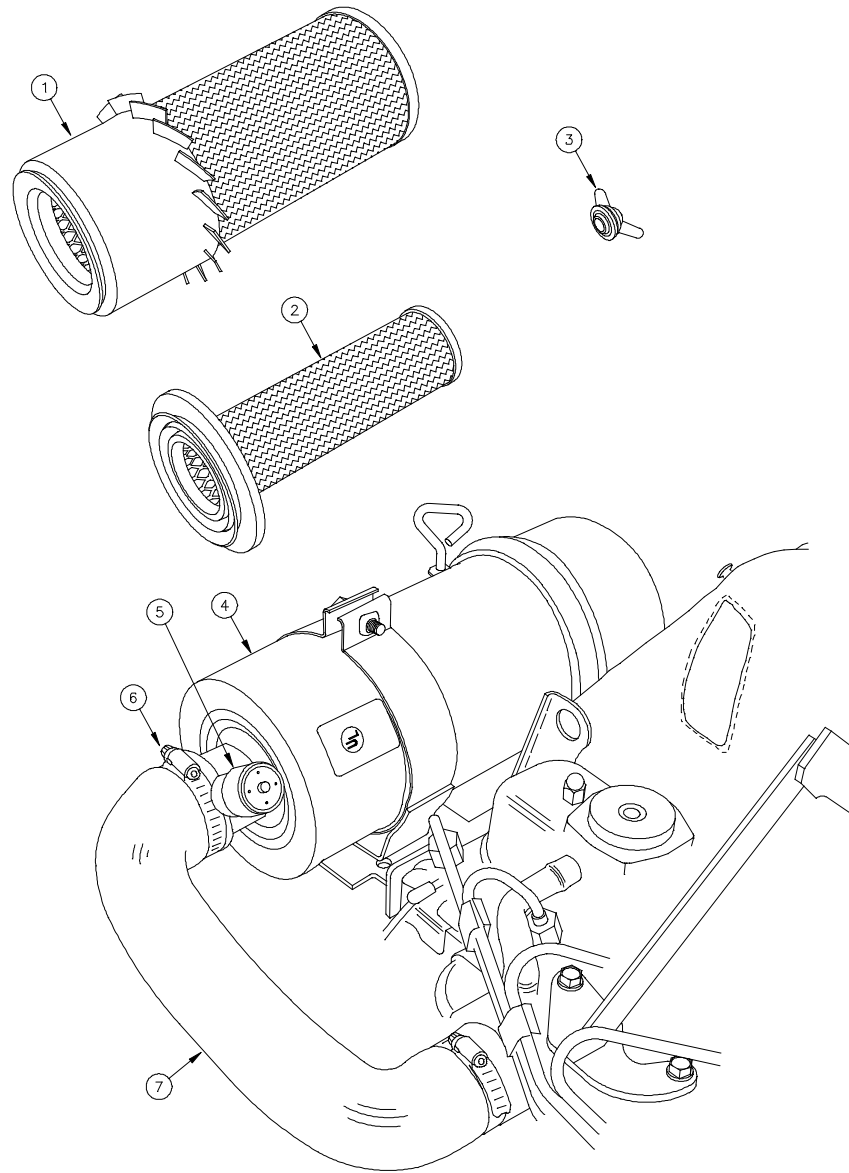
ENGINE GM 1.6L - LPG FUEL SYSTEM T2 (CONTINUED)			
ITEM	PART NO.	REQ'D	DESCRIPTION
	LPG		
25	3339859	1	PLUG-1/8NPT X 3/16 INTERN HEX GM T2
26	3339860	1	FTG-1/4NPT X 1/4-18 CONNECTOR GM T2
27	3339836	1	SENSOR-T MAP GM T2
28	3339861	2	ISOLATOR-EPR GM T2
29	3339862	1	SEAL-QUAD MXR ADPTR 40MM/100 GM T2
30	3339837	1	GASKET-INTAKE MANIFOLD/ADAPTER GM T2
31	3339838	1	ADAPTER-INTAKE/THROTTLE BODY GM T2
32	3339839	1	HOSE-BREATHER GM T2
33	3339840	4	BOLT-M6 X 1.0 X 25, SKT HD BOLT, GR 12.9 V GM T2
34	3339841	1	BOLT-1/4-20 X 3/4 HX HD BOLT GR5 GM T2
35	3339863	1	BOLT-M8 X 1.25 X 15 HX HD BOLT GR 8.8 GM T2
36	3339864	1	NUT-M8 X 1.25 , HX NUT FLANGED GM T2
37	3339865	1	BOLT-3/8-16 X 3/4 HX HD BOLT, GR 5 GM T2
38	3339866	1	WASHER-5/16 FLAT WASHER (HARDENED) GM T2
39	3339842	1	WASHER-1/4 FLAT WASHER (HARDENED) GM T2
40	3339867	1	WASHER-3/8 FLAT WASHER (HARDENED GRL9)BOLT-M6 X 1/0 X 70
41	3339868	4	BOLT-M6 X 1.0 X 70, SKT HD BOLT GM T2
42	3339869	4	BOLT-M5-0.8 X 35 SKT HD BOLT GM T2
43	3339870	1	MIXER-CERTIFIED GM T2

ENGINE GM 1.6L - GASOLINE FUEL SYSTEM T2



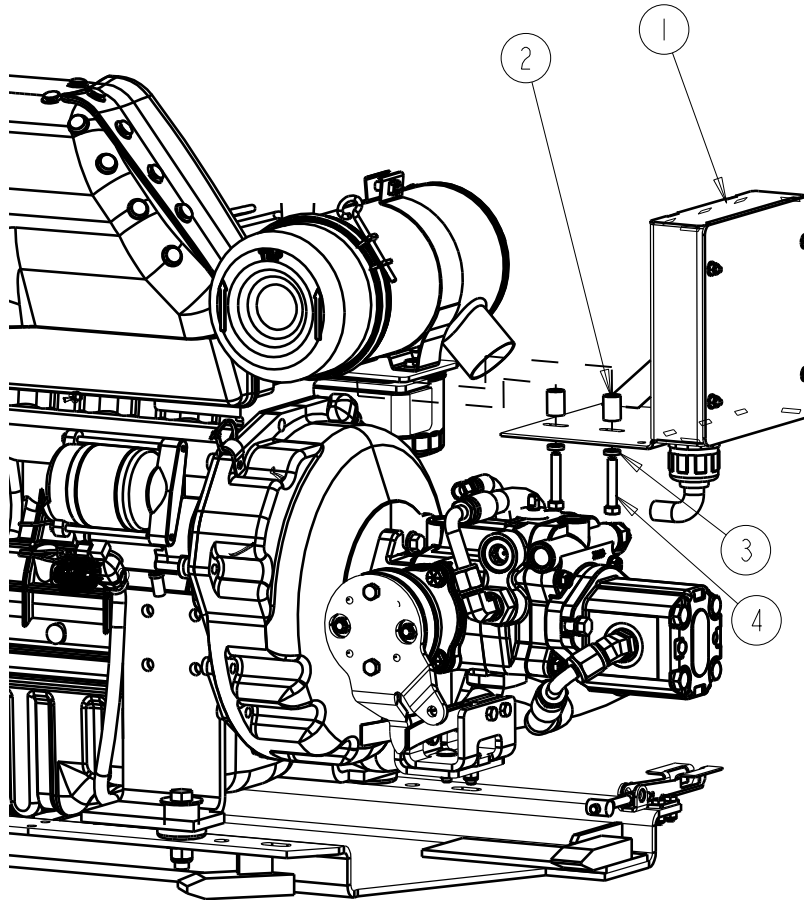
ENGINE GM 1.6L - GASOLINE FUEL SYSTEM T2			
ITEM	PART NO.	REQ'D	DESCRIPTION
	GASOLINE		
1	3339821	1	PLUG-M16 INTAKE MANIFOLD GM T2
2	3339825	1	HOSE-VACUUM 7/32" GM T2
3	3339827	1	CLAMP-WORM DRIVE 1/2" WIDTH HOSE CLAMP (SAE 12) 11/16 TO 1-1/4
4	3339828	2	CLAMP-2.25" GM T2
5	3339830	1	THROTTLE BODY-40MM GM T2
6	3339831	1	KET-4 BOLT, TB GM T2
7	3339834	1	FTG-VAC M16-1.5-6H GM T2
8	3342209	1	FUEL FILTER
9	3343536	1	FUEL PUMP
10	3339835	1	FTG-FITTING & KET FOR FUEL PUMP GM T2
11	3339837	1	MANIFOLD-FUEL TEMP/RETURN GM T2
12	3339839	2	FTG-(-6) STOR 5/16 SAE J2044 GM T2
13	3339840	1	FTG-(-3) STOR 5-16 SAE J2044 GM T2
14	3343629	1	SENSOR O2 @ MANIFOLD
15	3339843	1	RAIL-FUEL GM T2
16	3343630	1	SENSOR O2 POST CAT
17	3339849	2	BOLT-ECIAL FUEL RAIL GM T2
18	3339852	1	SENSOR-T MAP GM T2
19	3339855	1	LABEL-UL RECOGNIZED FOR PART 32501263 GM T2
20	3339856	1	KET-INTAKE MANIFOLD/ADAPTER GM T2
21	3339857	1	ADAPTER-INTAKE/THROTTLE BODY GM T2
22	3339858	1	HOSE-BREATHER GM T2
23	3339859	4	BOLT-M6 X 1.0 X 25, SKT HD BOLT, GR 12.9 V GM T2
24	3339860	1	BOLT-1/4-20 X 3/4 HX HD BOLT GR5 GM T2
25	3339865	4	WASHER-1/4 FLAT WASHER (HARDENED) GM T2
26	3339867	4	SCR-M6 X 1.0 X 45 SKT HD GM T2

ENGINE KUBOTA V1505 DIESEL - AIR CLEANER ASSEMBLY



ENGINE KUBOTA V1505 DIESEL - AIR CLEANER ASSEMBLY			
ITEM	PART NO.	REQ'D	DESCRIPTION
1	3302842	1	ELEMENT-AIR CLEANER, PRIMARY
2	3302597	1	ELEMENT-AIR CLEANER, SAFETY
3	3303827	1	NUT-WING, DONALDSON AIR CLEANER
4	3303031	1	ASSEMBLY-DONALDSON HEAVY DUTY AIR CLEANER (Includes Items 1,2&3)
5	3303991	1	INDICATOR-AIR CLEANER RESTRICTION
6	3044112	2	CLAMP-HOSE, φ2.5" SS
7	3333965	1	HOSE-RUBBER AIR INTAKE "U" V1505

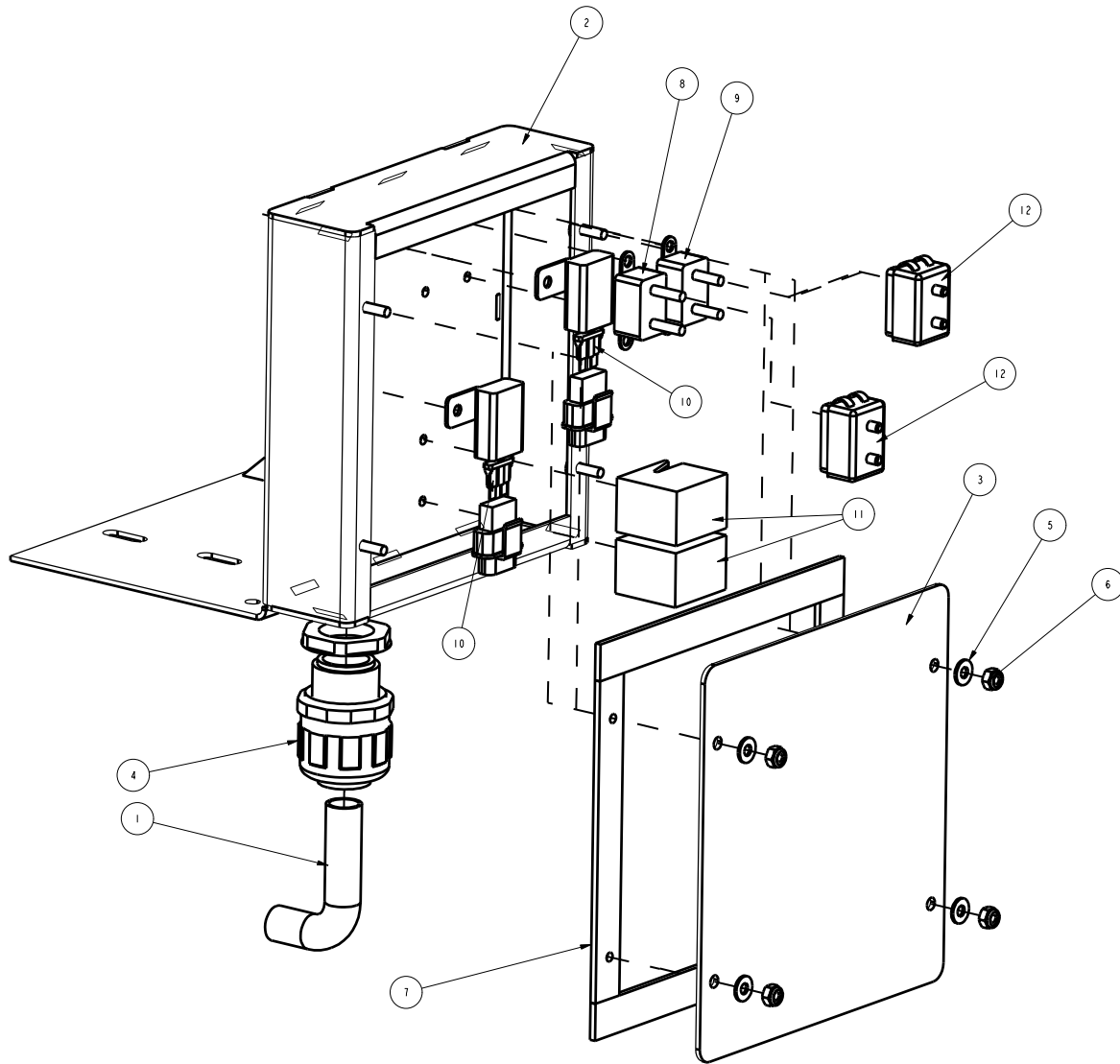
NOTE: The 9XR, 9XV and 9XR Europe models are available with the kubota v1505 diesel engine.

ENGINE KUBOTA V1505 DIESEL - FUSE BOX ASSEMBLY

ENGINE KUBOTA V1505 DIESEL - FUSE BOX ASSEMBLY

ITEM	PART NO.	REQ'D	DESCRIPTION
1	3336080	1	ASSY-FUSE BOX COMPLETE
2	3342109	2	SPACER
3	3400102	2	WASHER
4	3401513	2	BOLT

NOTE: The 9XR, 9XV and 9XR Europe models are available with the kubota v1505 diesel engine.

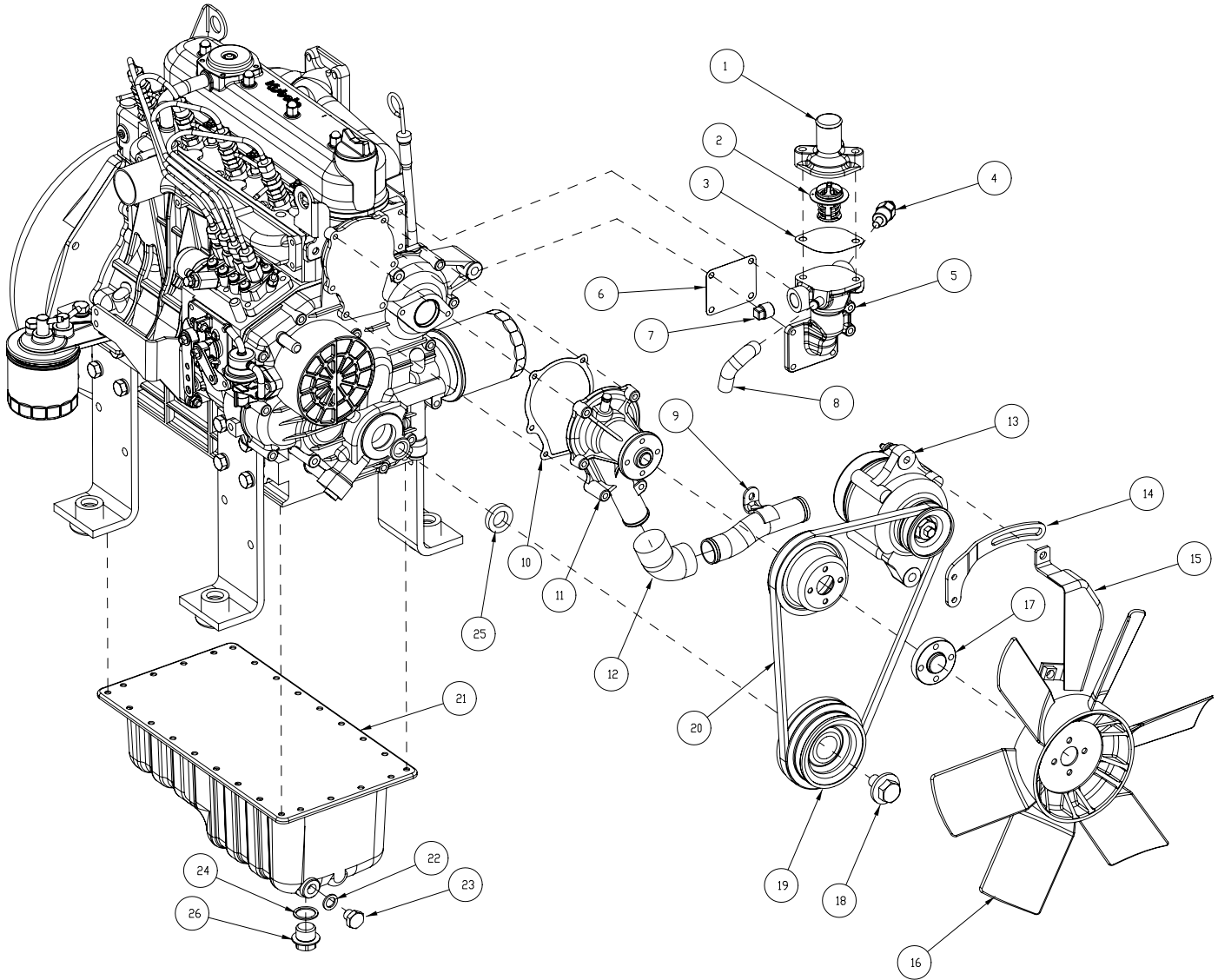
ENGINE KUBOTA V1505 DIESEL - FUSE BOX DETAILS



ENGINE KUBOTA V1505 DIESEL - FUSE BOX DETAILS			
ITEM	PART NO.	REQ'D	DESCRIPTION
1	3335664	1	KIT-PANEL EPS3901X-V1505 W/WIRING HARNESS (Includes Items 8-11)
2	3336073	1	WELD- FUSE BOX
3	3336077	1	PLT-COVER FUSE BOX
4	3336079	1	FTG-CONDUIT 1" FLEX CONNECTOR
5	3400095	4	WASHER-FLAT #10
6	3400172	4	NUT-HEX JAM #10-32 ES
7	3500246	2.375'	GASKET-OPEN CELL, 1/8x3/4
8	3334051	1	BREAKER-40 AMP V1505 DIESEL
9	3334052	1	BREAKER-30 AMP V1505 DIESEL
10	3335329	2	FUSE - 10 AMP V1505
11	3344053	2	RELAY-SPDT V1505 DIESEL
12	3342910	2	BOOT-INSULATOR-RED FOR CIRCUIT BREAKER

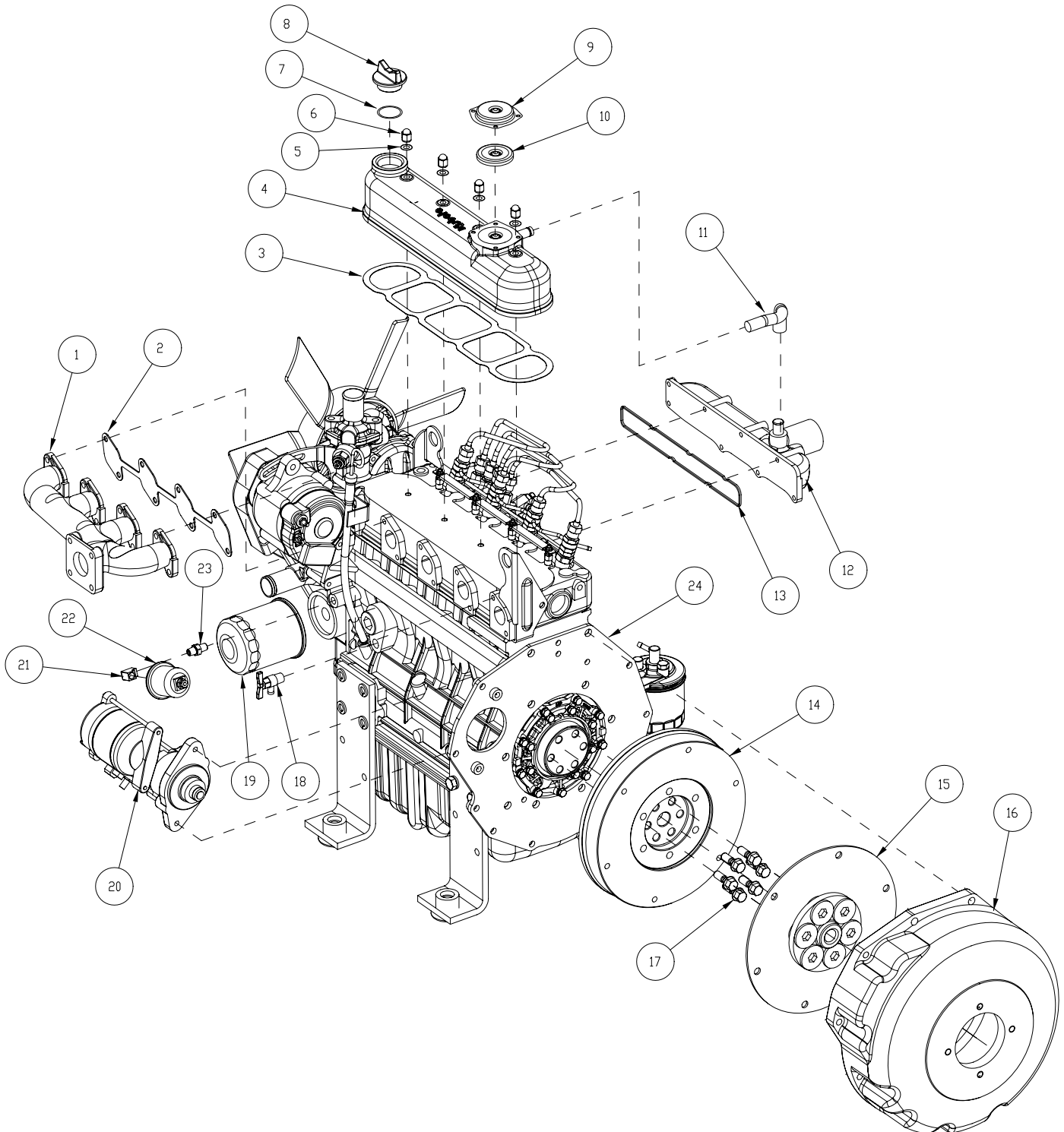
NOTE: The 9XR, 9XV and 9XR Europe models are available with the kubota v1505 diesel engine.

ENGINE KUBOTA V1505 DIESEL - ALTERNATOR, WATER PUMP, FAN, AND OIL PAN



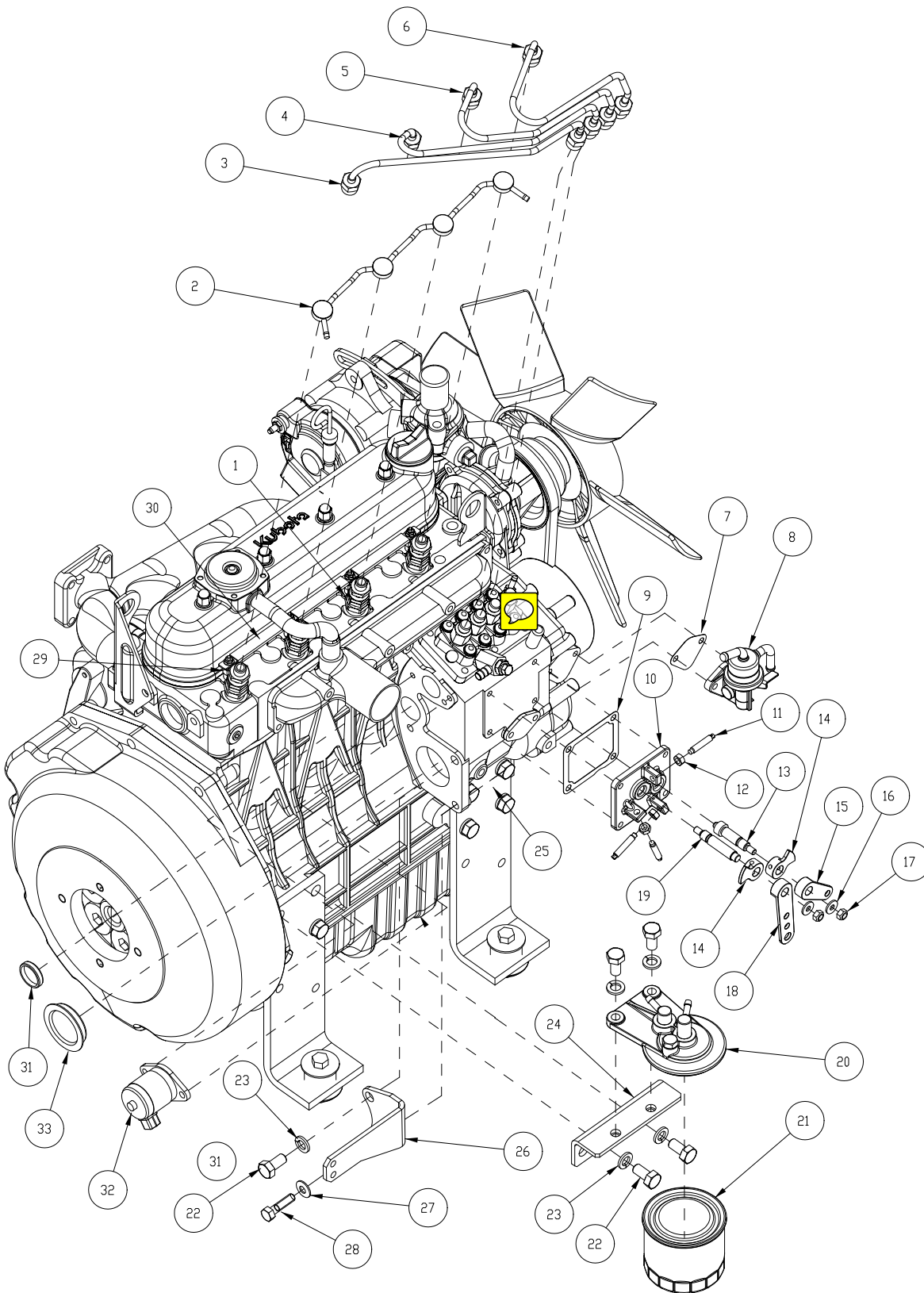
TIMER-FILTER SHAKER SEALED			
ITEM	PART NO.	QTY	DESCRIPTION
1	3336919	1	COVER-THERMOSTAT KUBOTA V1505
2	3350446	1	THERMOSTAT-KUBOTA V1505 & V2203
3	3336918	1	GASKET-THERMOSTAT KUBOTA V1505
4	3341070	1	SENDER-TEMPERATURE 12V KUBOTA V1505
5	3336939	1	HOUSING-THERMOSTAT KUBOTA V1505
6	3336915	1	GASKET-WATER FLANGE KUBOTA V1505
7	3336947	1	PLUG-THERMOSTAT HSG KUBOTA V1505
8	3336931	1	PIPE-WATER RETURN THERMOSTAT HSG
9	3336946	1	PIPE-WATER KUBOTA V1505
10	3330793	1	GASKET - KUBOTA V1505 WATER PUMP
11	3330792	1	PUMP - WATER, KUBOTA V1505
12	3336932	1	PIPE-WATER PUMP KUBOTA V1505
13	3329875	1	ALTERNATOR-KUBOTA V1505
14	3336067	1	STAY-DYNAMO
15	3331935	1	COVER-BELT
16	3330210	1	FAN - KUBOTA V1505 ENGINE (SP) 1
17	3336933	1	SPACER-FAN 10MM KUBOTA V1505
18	3336937	1	BOLT-PULLEY KUBOTA V1505
19	3336934	1	PULLEY-ENGINE KUBOTA V1505
20	3329867	1	BELT-KUBOTA V1505V
21	3336920	1	PAN-OIL KUBOTA V1505
22	3336936	1	GASKET-DRAIN PLUG KUBOTA V1505
23	3331586	1	PLUG-DRAIN
24	3333377	1	GASKET-DAIN PLUG
25	3337571	1	SEAL OIL KUBOTA V1505
26	3336921	1	PLUG-OIL PAN KUBOTA V1505

ENGINE KUBOTA V1505 DIESEL - FLYWHEEL, STARTER, HEAD COVER, AND EXHAUST



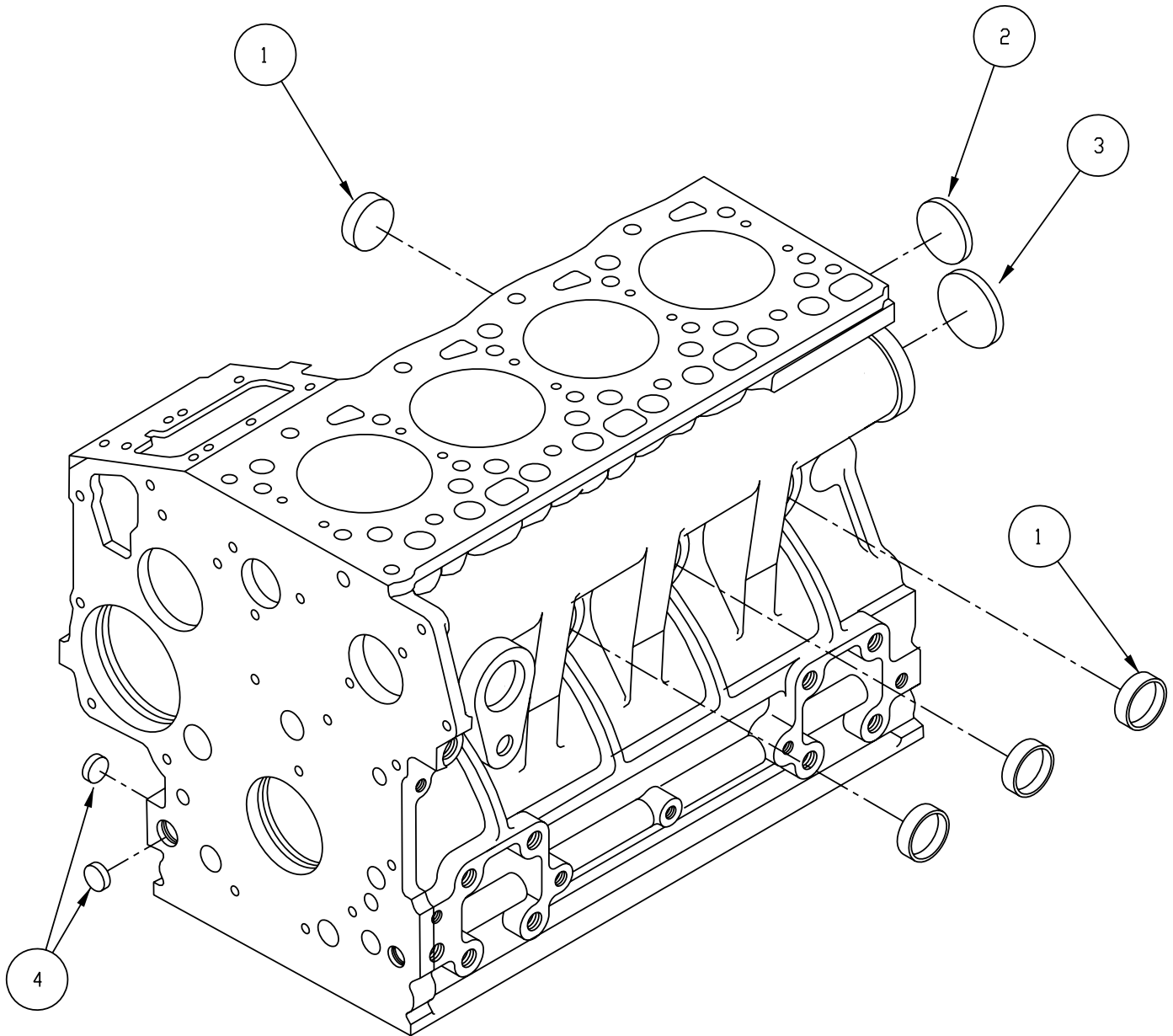
GASKET MOUNT ASSEMBLY			
ITEM	PART NO.	QTY	DESCRIPTION
1	3334041	1	MANIFOLD-EXHAUST KUBOTA V1505
2	3333964	1	GASKET-EX-MANIFOLD KUBOTA V1505
3	3334278	1	GASKET - VALVE COVER KUBOTA V1505
4	3336910	1	COVER-CYLHEAD KUBOTA V1505
5	3337572	4	GASKET KUBOTA V1505
6	3336916	4	NUT-CYLHEAD COVER KUBOTA V1505
7	3337573	1	O-RING KUBOTA V1505
8	3336926	1	PLUG-OIL FILLER KUBOTA V1505
9	3337574	1	COVER, BREATHER KUBOTA V1505
10	3337575	1	VALVE BREATHER KUBOTA V1505
11	3337576	1	TUBE BREATHER KUBOTA V1505
12	3336911	1	MANIFOLD-INLET KUBOTA 1505
13	3337577	1	GASKET INTAKE MANIFOLD KUBOTA V1505
14	3336935	1	COMP-FLYWHEEL KUBOTA V1505
15	3329956	1	COUPLING-KUBOTA DIESEL V1505/D905
16	3329957	1	BELL HOUSING KUBOTA V1505 DIESEL
17	3336938	6	BOLT-FLYWHEEL KUBOTA V1505
18	3339628	1	ASSY-COCK DRAIN V1505
19	3324129	1	FILTER - OIL, 1505/905 KUBOTA DIE
20	3330402	1	STARTER - KUBOTA V1505, 12V
21	3301720	1	FTG-90 EL 1/8 FPT
22	3341069	1	SENDER-OIL PRESSURE 12V
23	3305640	1	FTG-NIPPLE 1/8BPT-1/8NPT BRASS
24	3336917	1	PLATE-REAR END V1505

ENGINE KUBOTA V1505 DIESEL - FUEL SYSTEM AND SPEED CONTROL



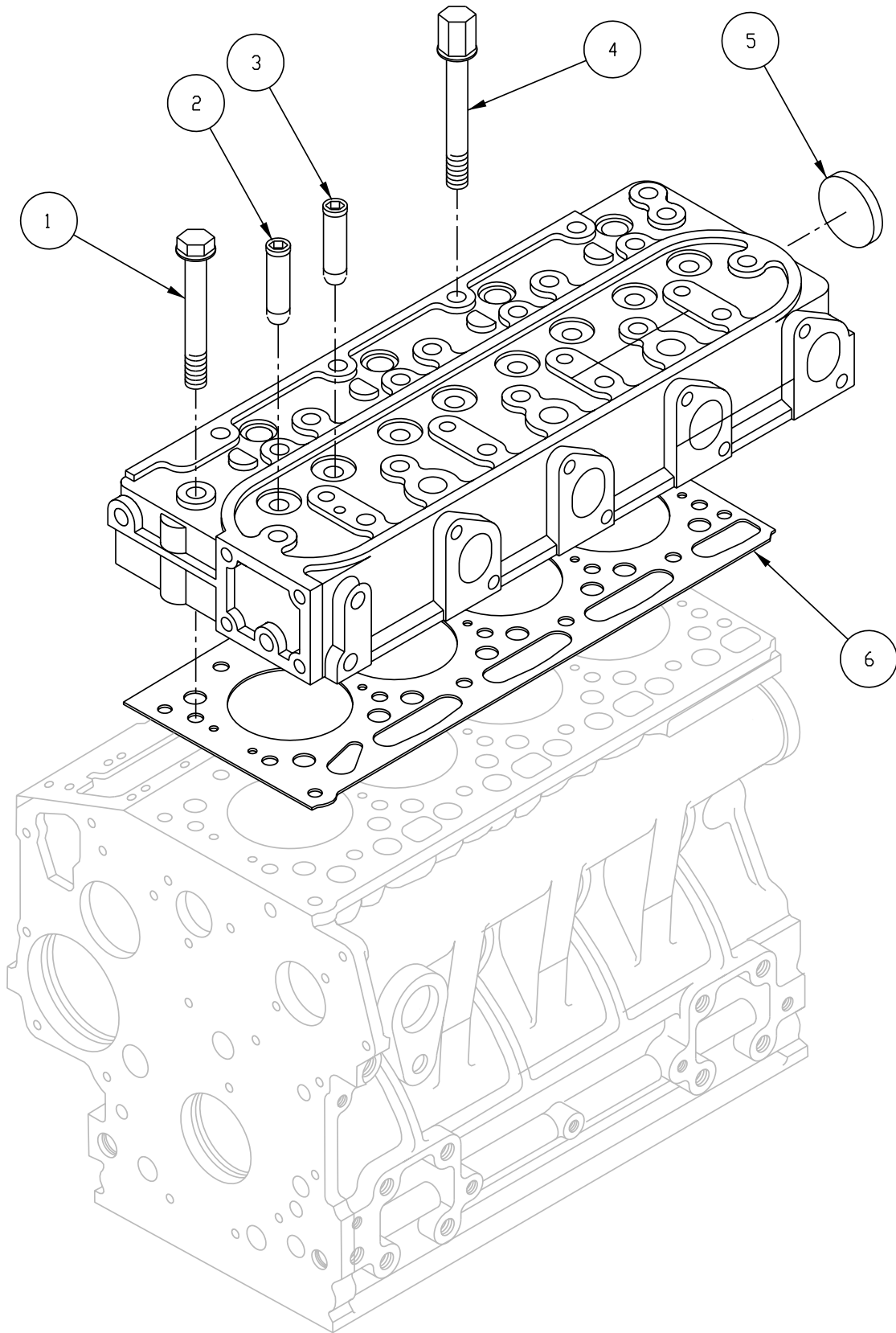
ENGINE PAN, HYDRAULIC HOSE RETAINER & LATCH			
ITEM	PART NO.	QTY	DESCRIPTION
1	3330106	4	INJECTOR-KUBOTA V1505 DIESEL
2	3333567	1	FUEL LINE-KBA 1505 LEAK OFF LINE
3	3334998	1	PIPE INJECTION-KUBOTA V1505
4	3334997	1	PIPE INJECTION-KUBOTA V1505
5	3334996	1	PIPE INJECTION-KUBOTA V1505
6	3334995	1	PIPE INJECTION-KUBOTA V1505
7	3330693	1	KUBOTA 1505-FUEL PUMP GASKET
8	3330692	1	PUMP - FUEL, KUBOTA V1505 DIESEL
9	3336924	1	GASKET-CONTROL PLATE KUBOTA V1505
10	3336943	1	PLATE-SPEED CONTROL KUBOTA V1505
11	3336944	3	BOLT-ADJUSTING SPEED CONTROL KUBO
12	3336976	3	HUT-HEX JAM 6MM
13	3336948	1	SHAFT-LEVER STOP SPEED CONTROL KU
14	3336942	2	LEVER-SPEED CONTROL KUBOTA V1505
15	3336945	1	LEVER-ENGINE STOP KUBOTA V1505
16	3336969	2	WASHER-PLAIN 15MM OD X 6MM ID X 1
17	3336970	2	NUT-HEX LOCK 6MM
18	3336941	1	LEVER-SPEED CONTROL KUBOTA V1505
19	3336949	1	LEVER-GOVERNOR KUBOTA V1505
20	3305882	1	MOUNT, FUEL FILTER KUBOTA PNTD
21	3303324	1	FILTER - FUEL KUBOTA DSL (SP)
22	3400293	5	SCR-HEX 10MMX1.25PX20MM ZP
23	3401458	5	WSH-LOCK, 10 MM ZP
24	3336912	1	BRACKET-FUEL FILTER KUBOTA V1505
25	3400390	1	NUT-FLANGE LOCK 5/16-18
26	3350331	1	MOUNT-THROTTLE KBA 1505 DSL
27	3400384	1	WASHER CONICAL SPRING 5/16
28	3400034	1	SCR-HEX,5/16-18X1.25 ZP
29	3330795	4	GLOW PLUG KUBOTA V1505
30	3337578	1	CORD GLOW PLUG KUBOTA V1505
31	3336927	1	PLUG-ENGINE KUBOTA V1505
32	3334549	1	KIT-SOLENOID FUEL SHUT-OFF W/ JUMPER
33	3336925	1	COVER HYDRAULIC PUMP-ENGINE KUBOTA V1505

ENGINE KUBOTA V1505 DIESEL - BLOCK AND FREEZE PLUGS



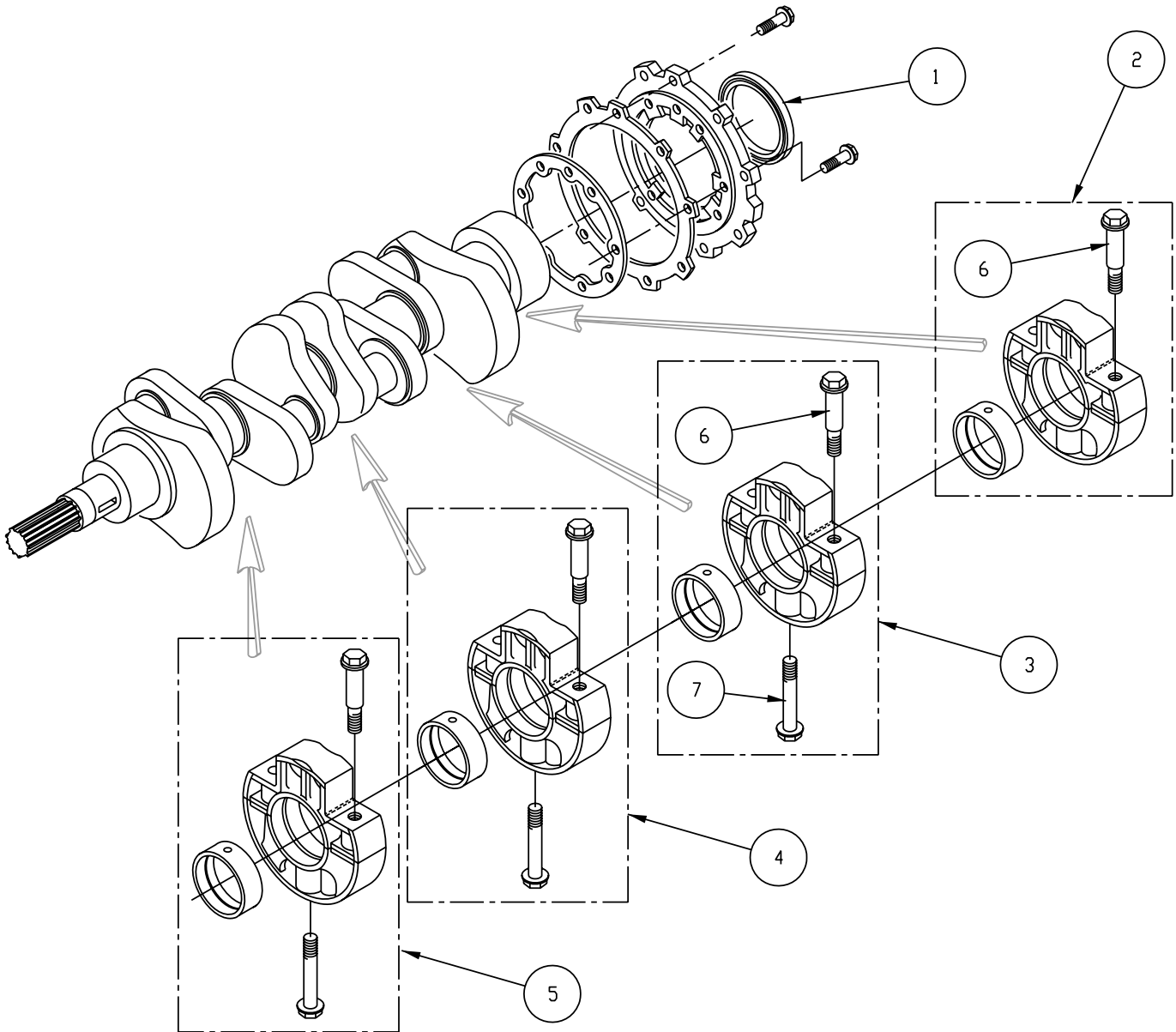
ENGINE GM 1.6L - ENGINE COMPONENT BREAKDOWN ILLUSTRATION 1 (CONTINUED)			
ITEM	PART NO.	QTY	DESCRIPTION
1	3337579	5	CAP SEALING KUBOTA V1505
2	3337580	1	CAP SEALING KUBOTA V1505
3	3337581	1	PLUG EXPANSION KUBOTA V1505
4	3337582	2	PLUG EXPANSION KUBOTA V1505

ENGINE KUBOTA V1505 DIESEL - HEAD



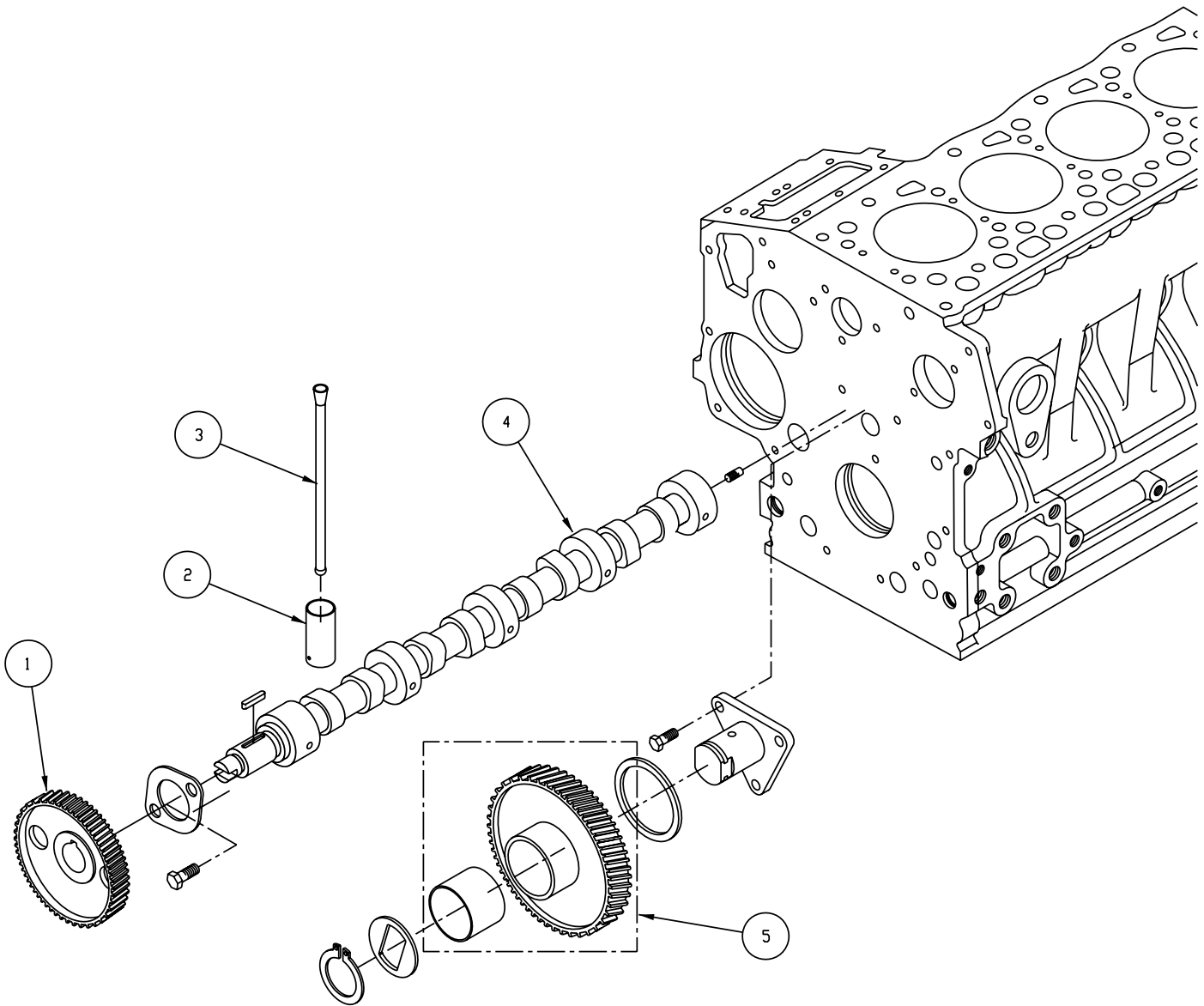
ENGINE GM 1.6L - ENGINE COMPONENT BREAKDOWN ILLUSTRATION 2 (CONTINUED)			
ITEM	PART NO.	QTY	DESCRIPTION
1	3337583	14	BOLT CYCLINDER HEAD KUBOTA V1505
2	3337584	4	GUIDE INLET VALVE KUBOTA V1505
3	3337585	4	GUIDE EXHAUST VALVE KUBOTA V1505
4	3337586	4	BOLT CYCLINDER HEAD KUBOTA V1505
5	3337587	1	CAP SEALING KUBOTA V1505
6	3337588	1	GASKET CYCLINDER HEAD KUBOTA V1505

ENGINE KUBOTA V1505 DIESEL - MAIN BEARING CASE



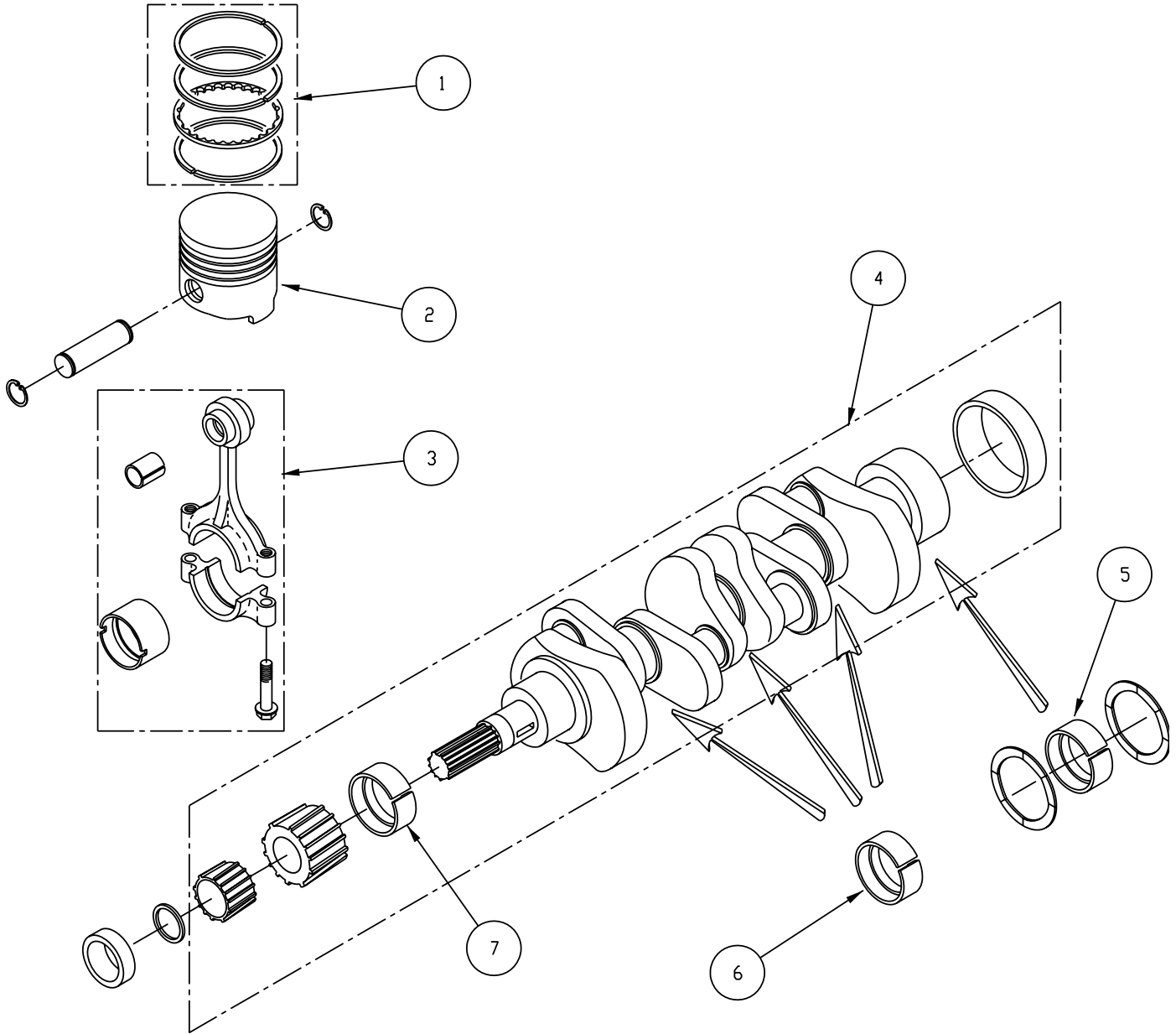
ENGINE GM 1.6L - ENGINE COMPONENT BREAKDOWN ILLUSTRATION 2 (CONTINUED)			
ITEM	PART NO.	QTY	DESCRIPTION
1	3337589	1	SEAL OIL KUBOTA V1505
2	3337590	1	ASSY BEARING CASE WHEEL KUBOTA V1505
3	3337591	1	ASSY BEARING CASE MAIN KUBOTA V1505
4	3337592	1	ASSY BEARING CASE MAIN KUBOTA V1505
5	3337593	1	ASSY BEARING CASE MAIN KUBOTA V1505
6	3337594	4	BOLT BEARING CASE KUBOTA V1505
7	3337595	3	BOLT BEARING CASE KUBOTA V1505

ENGINE KUBOTA V1505 DIESEL - CAMSHAFT AND IDLE GEAR SHAFT



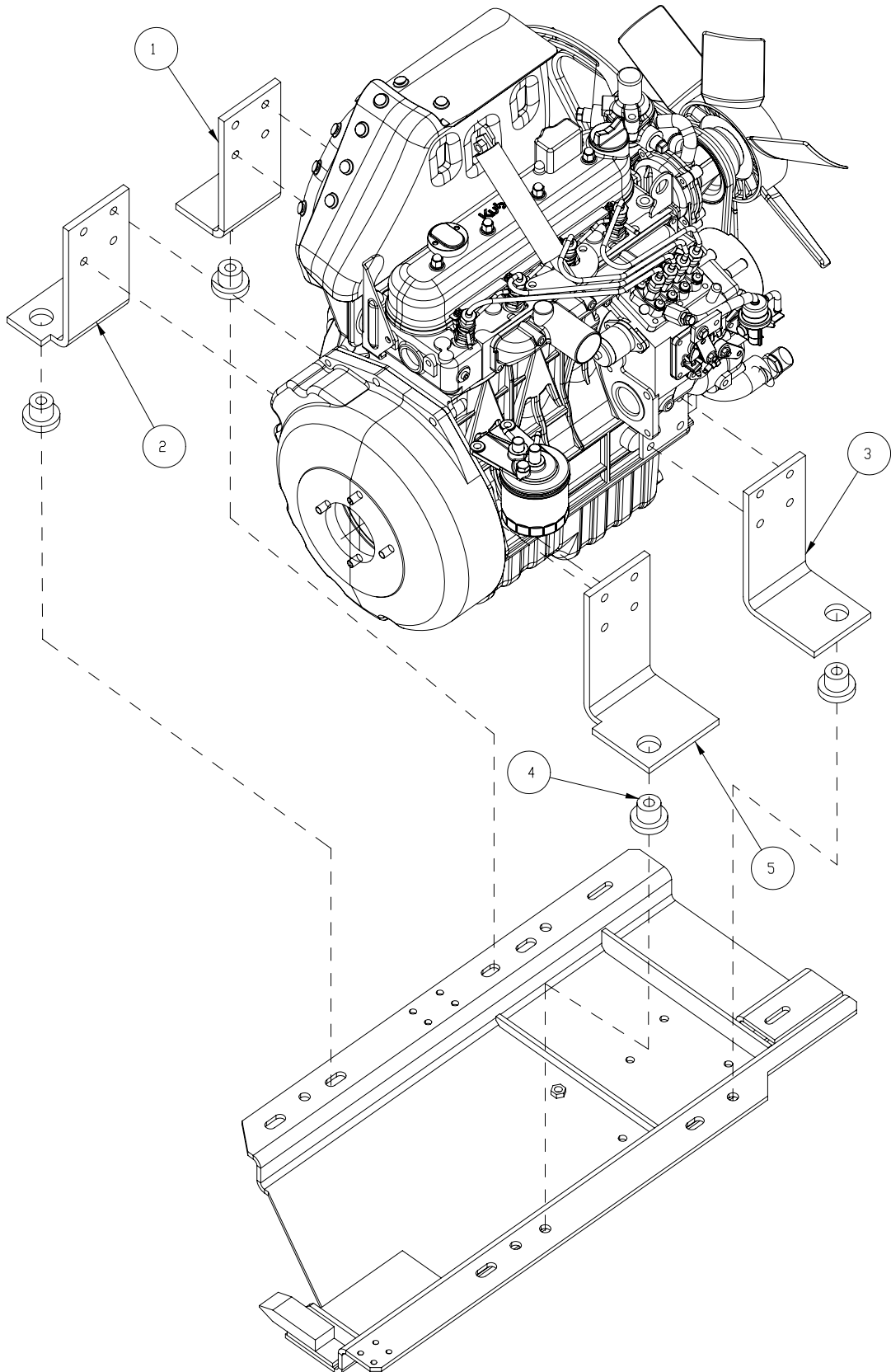
ENGINE GM 1.6L - ENGINE COMPONENT BREAKDOWN ILLUSTRATION 2 (CONTINUED)			
ITEM	PART NO.	QTY	DESCRIPTION
1	3337596	1	GEAR CAM KUBOTA V1505
2	3337597	8	TAPPET KUBOTA V1505
3	3337598	8	PUSH ROD KUBOTA V1505
4	3337599	1	ASSY CAM SHAFT KUBOTA V1505
5	3337600	1	COMP GEAR IDLER KUBOTA V1505

ENGINE KUBOTA V1505 DIESEL - PISTON AND CRANKSHAFT



ENGINE GM 1.6L - ENGINE COMPONENT BREAKDOWN ILLUSTRATION 2 (CONTINUED)			
ITEM	PART NO.	QTY	DESCRIPTION
1	3337601	4	ASSY PISTON RING STD KUBOTA V1505
	3337602	4	ASSY PISTON RING +0.50MM KUBOTA V1505
2	3337603	4	PISTON STD KUBOTA V1505
	3337604	4	PISTON +0.50MM KUBOTA V1505
3	3337605	4	ASSY ROD CONNECTING KUBOTA V1505
4	3337606	1	COMP CRANKSHAFT KUBOTA V1505
5	3337607	1	METAL CRANKSHAFT STD KUBOTA V1505
	3337608	1	METAL CRANKSHAFT +0.20MM KUBOTA V1505
	3337609	1	METAL CRANKSHAFT +0.40MM KUBOTA V1505
6	3337610	3	METAL CRANKSHAFT STD KUBOTA V1505
	3337611	3	METAL CRANKSHAFT +0.20MM KUBOTA V1505
	3337612	3	METAL CRANKSHAFT +0.40MM KUBOTA V1505
7	3337613	1	METAL CRANKSHAFT STD KUBOTA V1505
	3337614	1	METAL CRANKSHAFT +0.20MM KUBOTA V1505
	3337615	1	METAL CRANKSHAFT +0.40MM KUBOTA V1505

ENGINE KUBOTA V1505 DIESEL - STARTER, FAN, FUEL PUMP, MOTOR MOUNTING

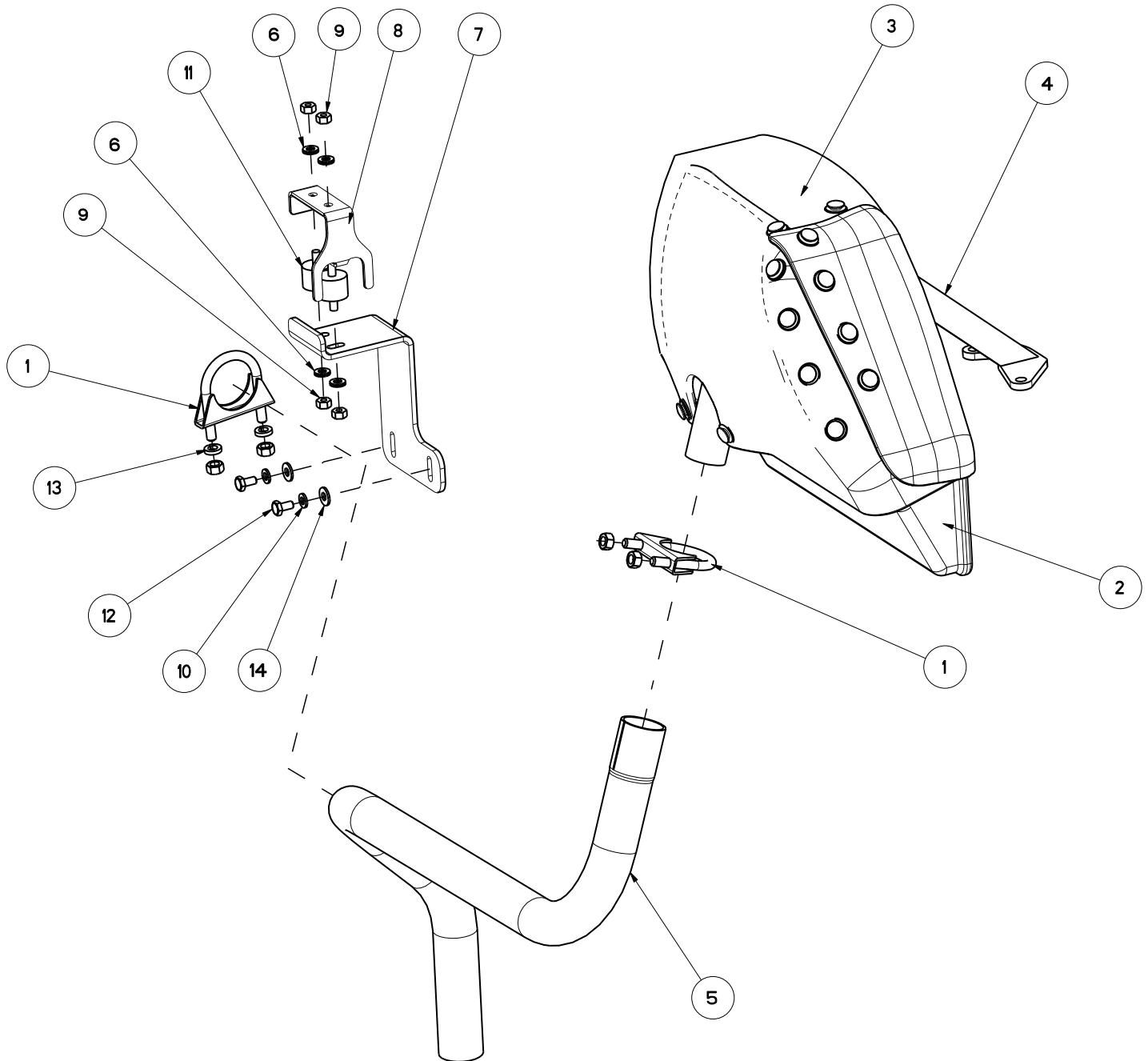


ENGINE KUBOTA V1505 DIESEL - STARTER, FAN, FUEL PUMP, MOTOR MOUNTING			
ITEM	PART NO.	REQ'D	DESCRIPTION
1	3316962	1	MOUNT-MOTOR, INNER LEFT REAR 9X V1505 KUBOTA DIESEL
2	3316961	1	MOUNT-MOTOR, LEFT FRONT V1505 KUBOTA DIESEL
3	3316964	1	MOUNT-MOTOR, RIGHT FRONT 9X V1505 KUBOTA DIESEL
4	3300464	4	ISOLATOR-RUBBER, 1.24 DIAx1.25 LG
5	3316963	1	MOUNT-MOTOR, RIGHT REAR V1505 KUBOTA DIESEL
-	3350329	1	BRACKET-HOSE RETAINER, FRONT, KUBOTA V1505 DIESEL (NOT SHOWN)
-	3333301	1	BRACKET-HOSE RETAINER, REAR, KUBOTA V1505 DIESEL (NOT SHOWN)

NOTE: The 9XR, 9XV and 9XR Europe models are available with the kubota v1505 diesel engine.

ENGINE KUBOTA V1505 DIESEL - EXHAUST DETAIL

NOTE: Units beginning SN-18168059

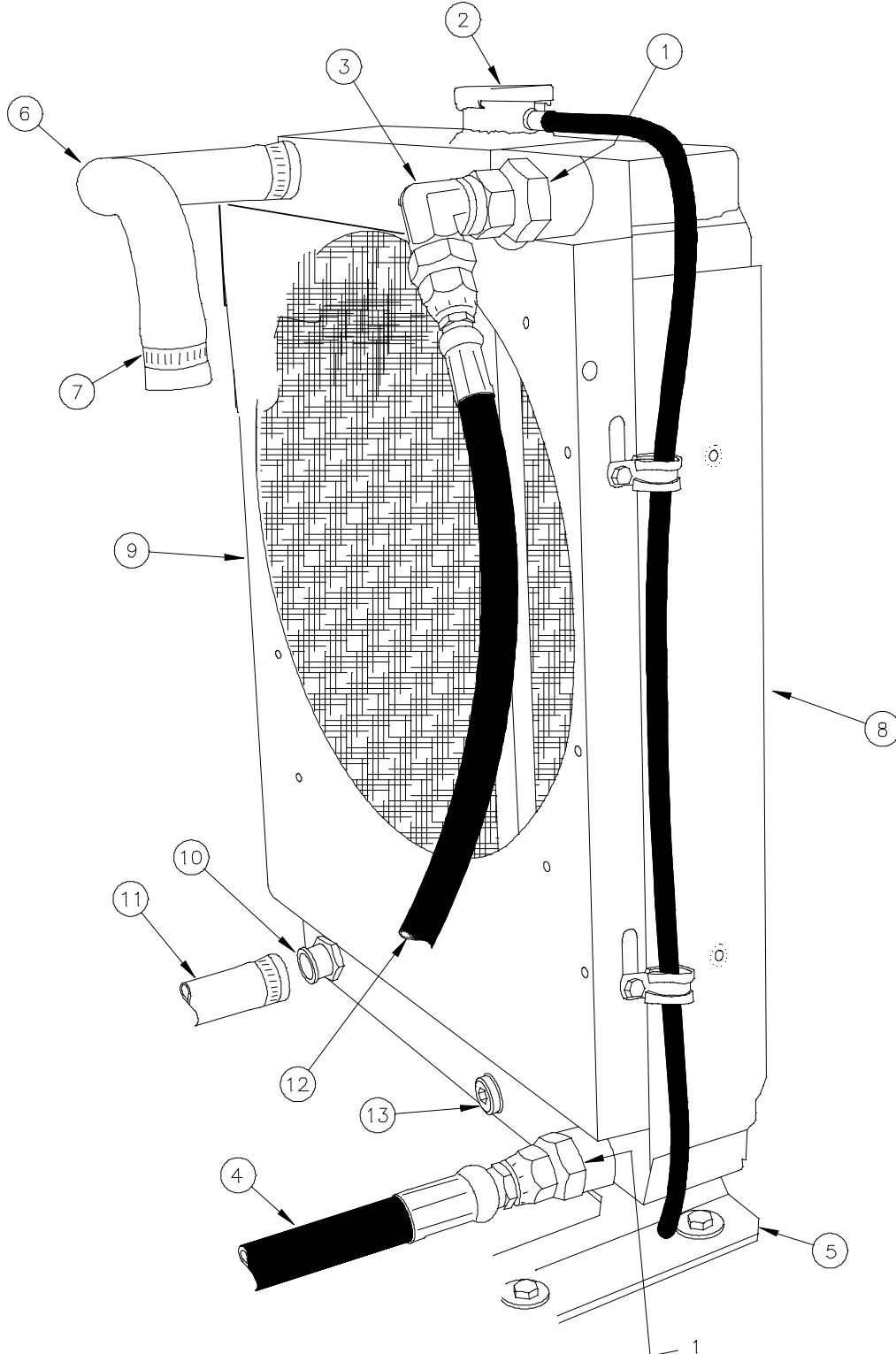


ENGINE KUBOTA V1505 DIESEL - EXHAUST DETAIL			
ITEM	PART NO.	REQ'D	DESCRIPTION
1	3301641	2	CLAMP-EXHAUST 1 1/2
2	3330627	1	MUFFLER-KUBOTA V1505 BOX
3	3330629	1	BLANKET-KUBOTA V1505E BOX EXHAUST
4	EPS2655	1	STAY MUFFLER
5	3335036	1	EXHAUST-KUBOTA V1505 9X
6	3401570-7W	4	WASHER-NORD-LOCK, 1/4, 0.53 OD
7	3336632	1	PLT - EXHAUST MNT BRKT
8	3336633	1	PLT - EXHAUST MNT, UPPER BRKT
9	3400071	4	NUT-HEX 1/4-20
10	3400103	2	WASHER-LOCK 1/4 SPLIT
11	3344112	2	ISO-CYL, 1 DIA X 3/4 X 1/4-20,
12	3400043	2	SCR-HH 1/4-20 X .50 ZINC
13	3400102	2	WASHER-LOCK 5/16 SPLIT
14	3400089	2	WASHER-FLAT 1/4 STANDARD

NOTE: The 9XR, 9XV and 9XR Europe models are available with the kubota v1505 diesel engine.

NOTE: Units beginning SN-18168059

ENGINE KUBOTA V1505 DIESEL - RADIATOR DETAIL

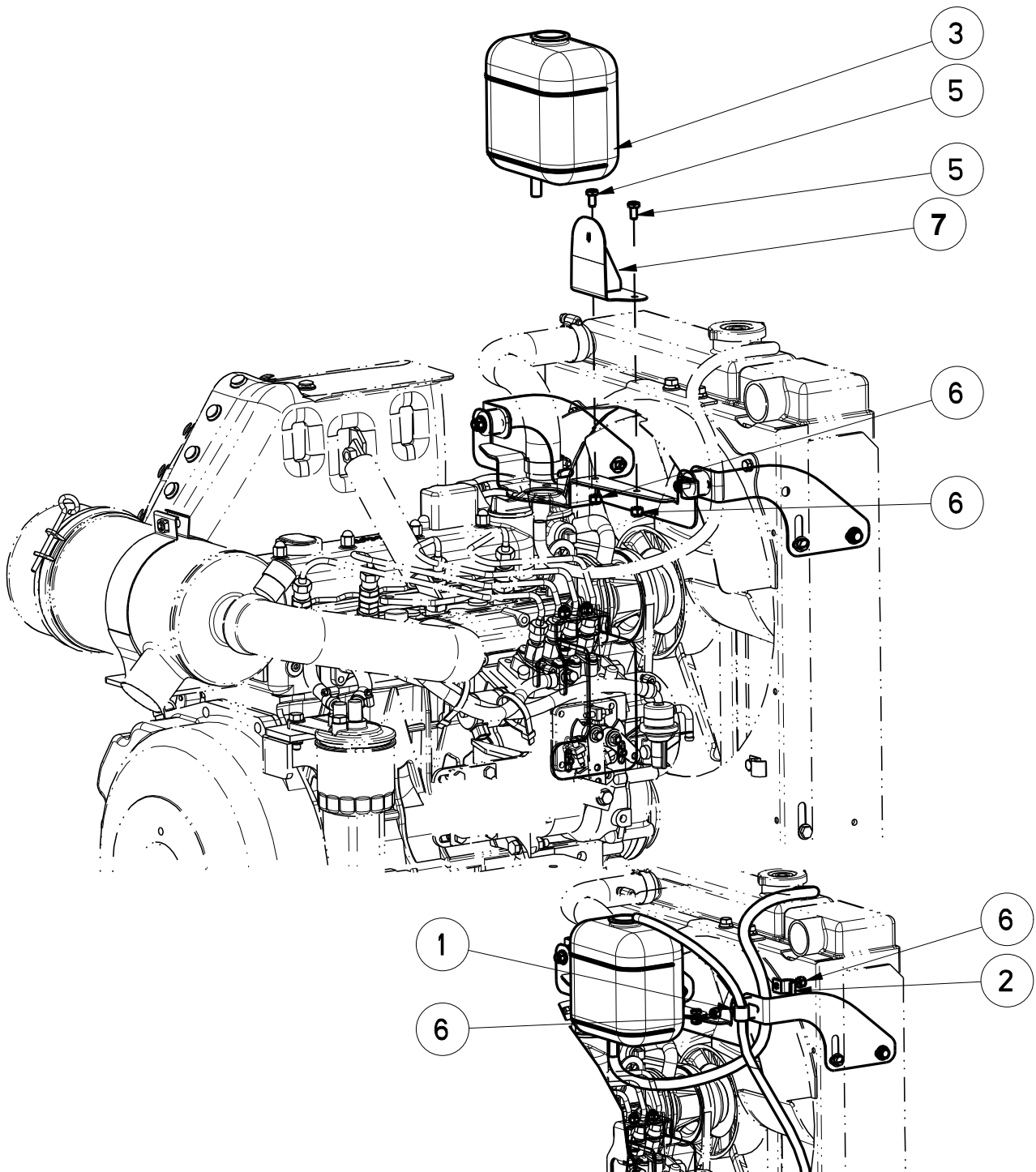


ENGINE KUBOTA V1505 DIESEL - RADIATOR DETAIL			
ITEM	PART NO.	REQ'D	DESCRIPTION
1	3402003	1	FTG-ADAPTER STRAIGHT #12 TO #16
2	3336527	1	RADIATOR CAP
3	3400636	1	FTG-ADAPTOR SWIVEL NUT ELBOW
4	3334239	1	HOSE-HYD, 3/4AR 163.00 #12ST #12ST
5	3333259	1	MOUNT-RADIATOR HYD W/COOLER
6	3332643	2	HOSE-UPPER RADIATOR, KUBOTA 1505
7	3303255	4	CLAMP-HOSE 1.75 DIA NOMINAL
8	3336103	1	RADIATOR-OIL COOLER COMBO
9	3336522	1	SHROUD-CG13/KUBOTA 1505 RADIATOR
10	3333489	1	FTG-RADIATOR HOSE
11	3332644	2	HOSE-LOWER RADIATOR KUBOTA 1505
12	3334240	2	HOSE-HYD, 1/2 AR 48.00 #12ST #8 90°
13	3333488	1	FTG-PLUG, RADIATOR

NOTE: The 9XR, 9XV and 9XR Europe models are available with the kubota v1505 diesel engine.

ENGINE KUBOTA V1505 DIESEL - RADIATOR COOLANT TANK & MOUNT

NOTE: Units beginning SN-18168059



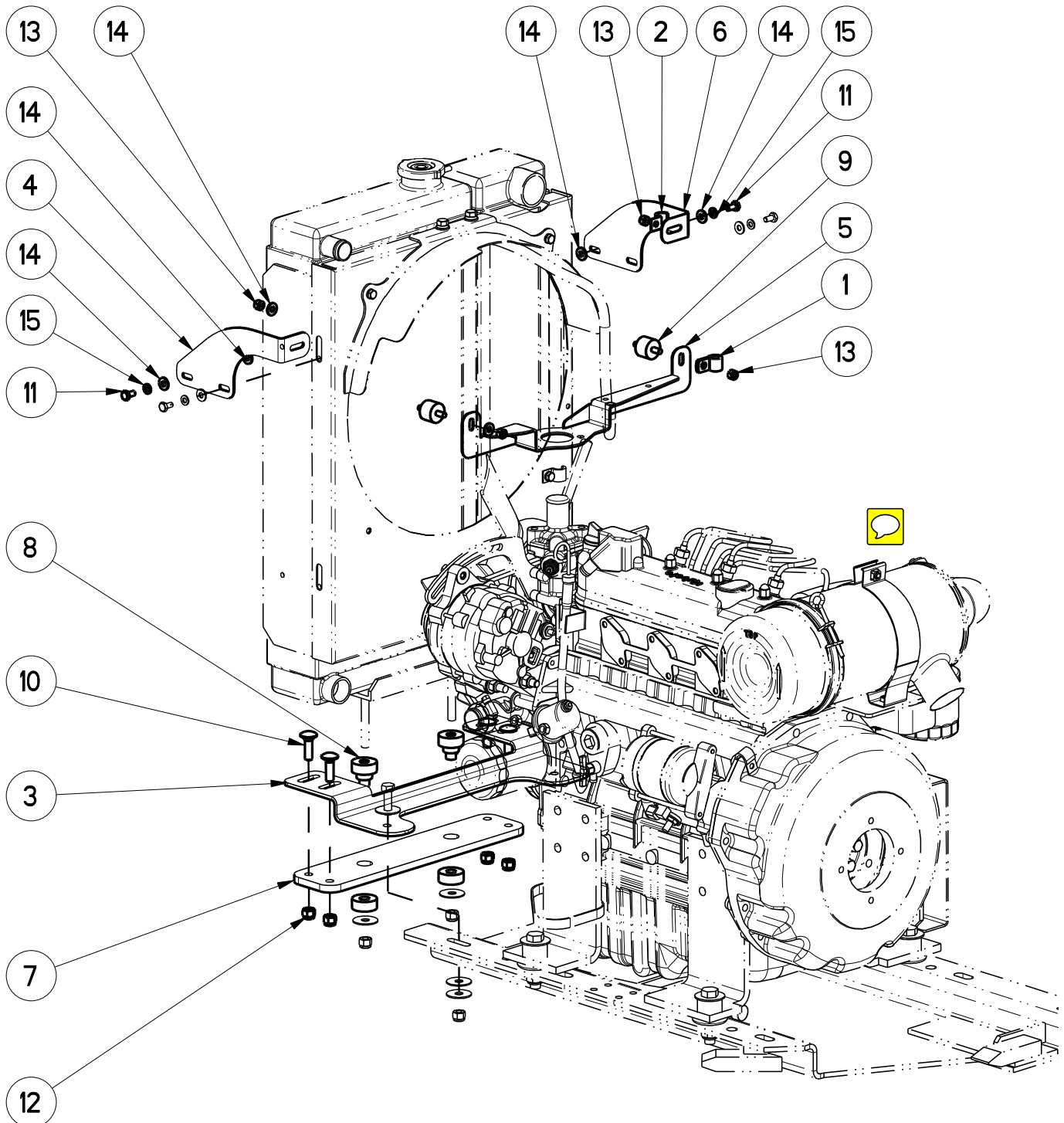
ENGINE KUBOTA V1505 DIESEL - RADIATOR COOLANT TANK & MOUNT			
ITEM	PART NO.	REQ'D	DESCRIPTION
1	3301837	1	CLAMP-CABLE 1/2
2	3302543	1	CLAMP-SADDLE TYPE 5/16" DIA.
3	3344101	1	RESERVOIR 5.5" X 3.5" X 5.5"
4	3344112	4	ISOLATOR- CYLINDRICAL, 1 DIA X 3/4 X 1/4-20,
5	3400043	6	SCR-HH 1/4-20 X .50 ZINC
6	3400081	10	NUT-HEX 1/4-20 ES
7	3336669	1	WELD - BRKT TANK COOLANT OVERFLOW MNT

NOTE: The 9XR, 9XV and 9XR Europe models are available with the kubota v1505 diesel engine.

NOTE: Units beginning SN-18168059

ENGINE KUBOTA V1505 DIESEL - RADIATOR MOUNTS DETAIL

NOTE: Units beginning SN-18168059



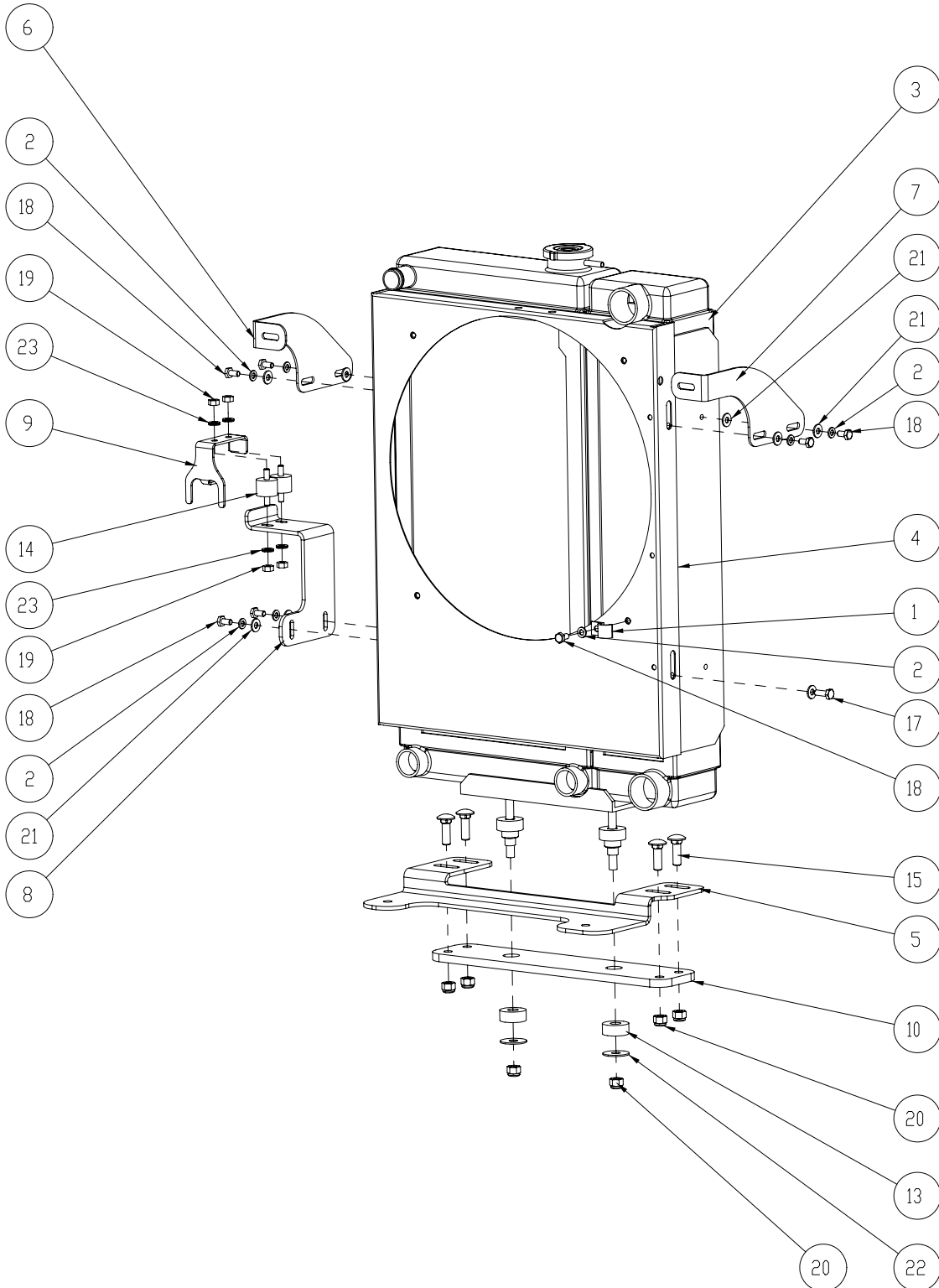
ENGINE KUBOTA V1505 DIESEL - RADIATOR MOUNTS DETAIL			
ITEM	PART NO.	REQ'D	DESCRIPTION
1	3301837	1	CLAMP-CABLE 1/2
2	3302543	1	CLAMP-SADDLE TYPE 5/16" DIA.
3	3336626	1	PLT- BASE, RADIATOR MOUNT
4	3336627	1	PLT-RADIATOR MNT, RH TOP
5	3336628	1	WELD - RADIATOR MNT, UPPER, DS
6	3336629	1	PLT - RADIATOR MNT, LH TOP
7	3336634	1	PLT - RADIATOR MNT
8	3344110	2	ISOLATOR-BONDED BUSHING BOTTOM
9	3344112	4	ISOLATOR- CYLINDRICAL, 1 DIA X 3/4 X 1/4-20,
10	3400007	4	SCR-CAR,3/8-16X1.25
11	3400043	6	SCR-HH 1/4-20 X .50 ZINC
12	3400079	4	NUT-HEX 3/8-16 ES
13	3400081	10	NUT-HEX 1/4-20 ES
14	3400089	8	WASHER-FLAT 1/4 STANDARD
15	3400103	4	WASHER-LOCK 1/4 SPLIT

NOTE: The 9XR, 9XV and 9XR Europe models are available with the kubota v1505 diesel engine.

NOTE: Units beginning SN-18168059

ENGINE KUBOTA V1505 DIESEL - RADIATOR ASSEMBLY & MOUNTING BRACKETS

NOTE: Units beginning SN-18168059



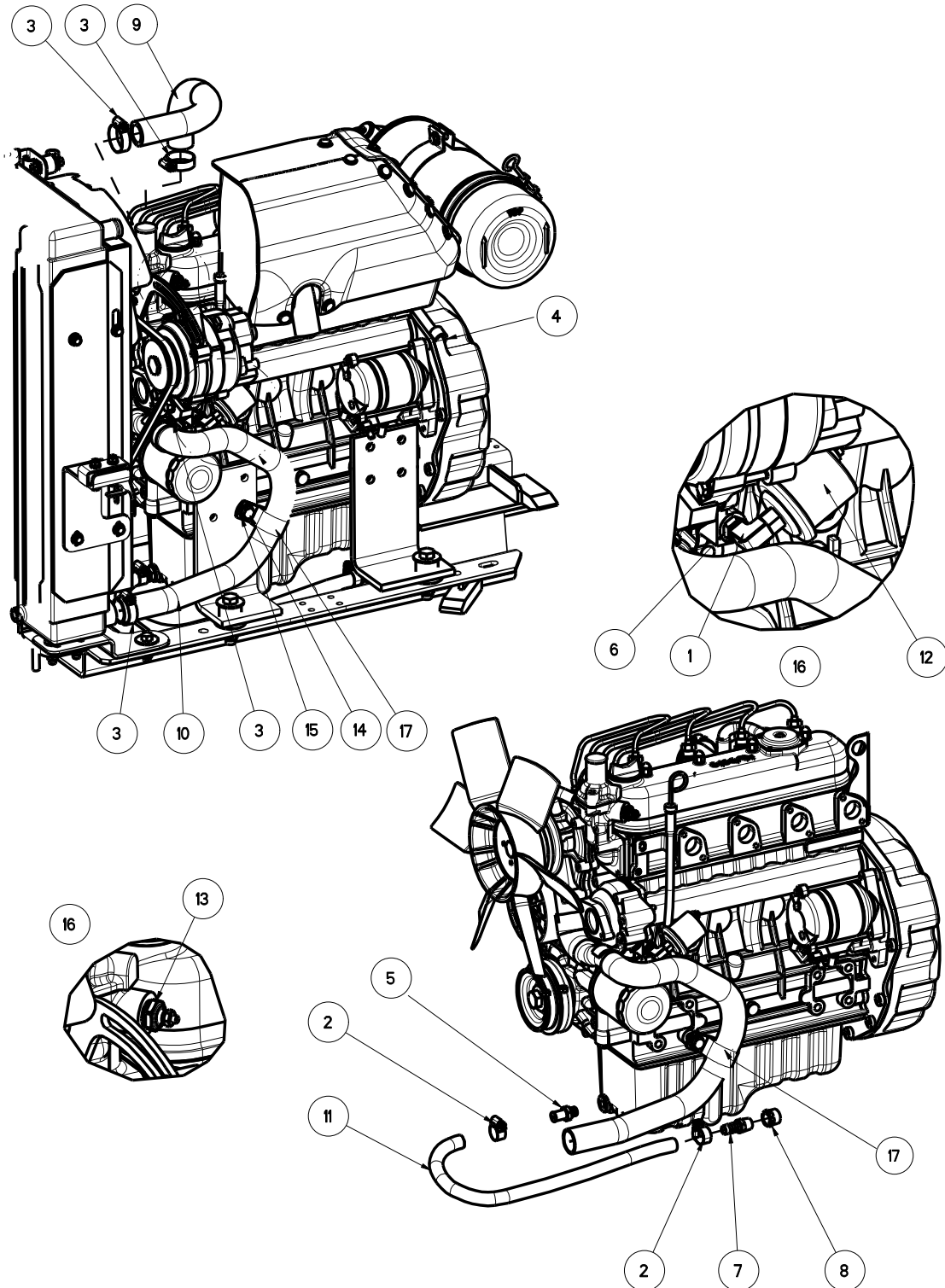
ENGINE KUBOTA V1505 DIESEL - RADIATOR ASSEMBLY & MOUNTING BRACKETS			
ITEM	PART NO.	REQ'D	DESCRIPTION
1	3302543	1	CLAMP-SADDLE TYPE 5/16" DIA.
2	3400103	7	WASHER-LOCK 1/4 SPLIT
3	3336103	1	RADIATOR-OIL COOLER COMBO
4	3336522	1	SHROUD-KUBOTA V1505 RADIATOR
5	3336626	1	PLT- BASE, RADIATOR MOUNT
6	3336627	1	PLT-RADIATOR MNT, RH TOP
7	3336629	1	PLT - RADIATOR MNT, LH TOP
8	3336632	1	PLT - EXHAUST MNT BRKT
9	3336633	1	PLT - EXHAUST MNT, UPPER BRKT
10	3336634	1	PLT - RADIATOR MNT
12	3344101	1	RESERVOIR 5.5" X 3.5" X 5.5"
13	3344110	2	ISOLATOR-BONDED BUSHING BOTTOM RADIATOR
14	3344112	2	ISOLATOR- CYLINDRICAL, 1 DIA X 3/4 X 1/4-20,
15	3400007	4	SCR-CAR,3/8-16X1.25
16	3400036	2	SCR-HEX, 5/16-18x0.75
17	3400042	1	SCR-HEX,1/4-20X0.75
18	3400043	7	SCR-HH 1/4-20 X .50 ZINC
19	3400071	4	NUT-HEX 1/4-20
20	3400079	6	NUT-HEX 3/8-16 ES
21	3400089	9	WASHER-FLAT 1/4 STANDARD
22	3400278	2	WASHER-FENDER 3/8
23	3401570-7W	4	WASHER-NORD-LOCK, 1/4, 0.53 OD

NOTE: The 9XR, 9XV and 9XR Europe models are available with the kubota v1505 diesel engine.

NOTE: Units beginning SN-18168059

ENGINE KUBOTA V1505 DIESEL - RADIATOR ASSEMBLY, CLAMPS, HOSES & SENDERS

NOTE: Units beginning SN-18168059



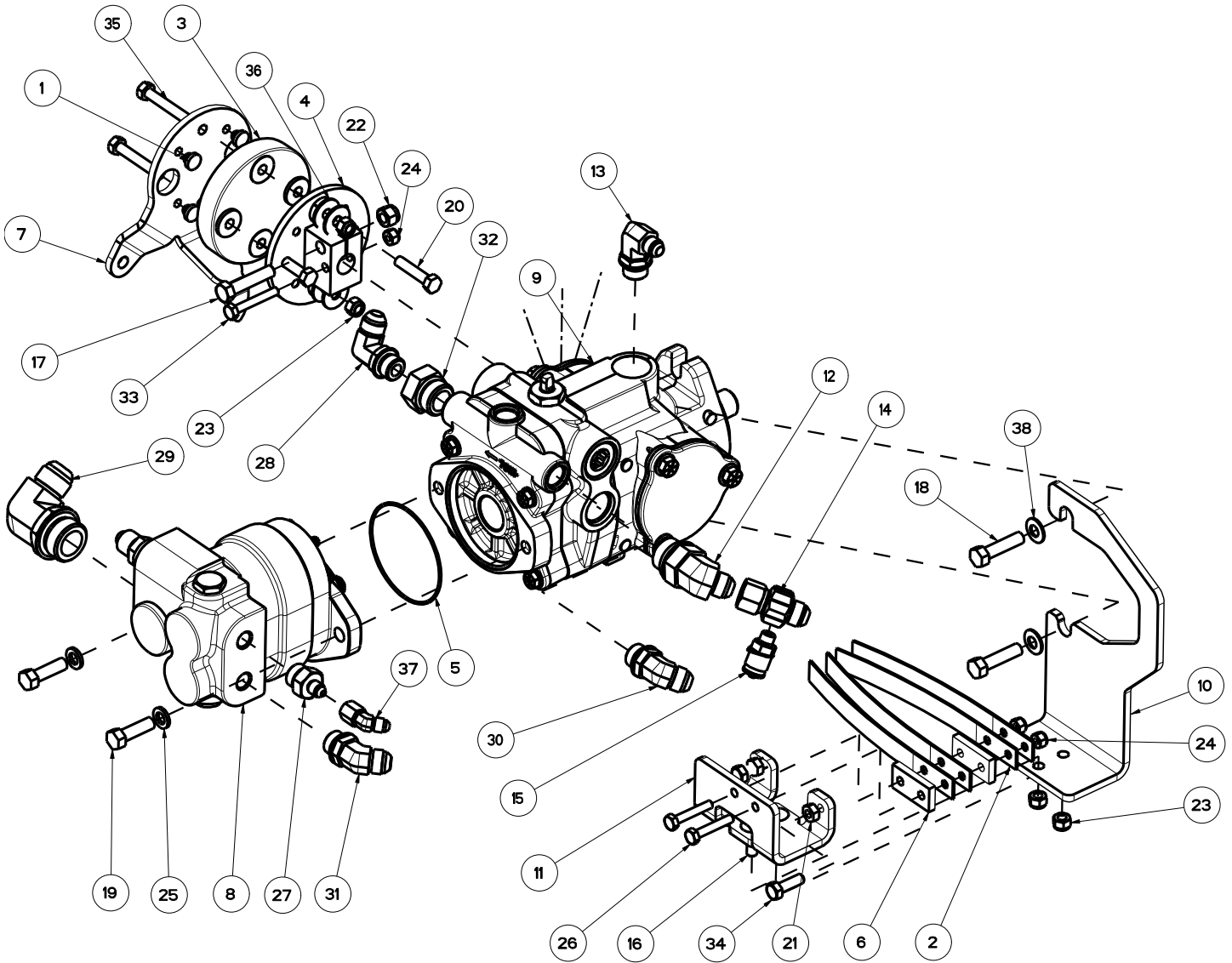
ENGINE KUBOTA V1505 DIESEL - RADIATOR ASSEMBLY, CLAMPS, HOSES & SENDERS			
ITEM	PART NO.	REQ'D	DESCRIPTION
1	3301720	1	FTG-90 ELL 1/8 FPT
2	3302144	2	CLAMP-HOSE 1/2 NOM
3	3302193	4	CLAMP-HOSE 1.25 NOM
4	3302543	1	CLAMP-SADDLE TYPE 5/16" DIA.
5	3303961	1	FTG-OIL PAN DRAIN KUBOTA
6	3305640	1	FTG-NIPPLE 1/8BPT-1/8NPT BRASS
7	3307829	1	FTG-HOSE BARB 1/2 X 3/8 MPT
8	3307830	1	FTG-CAP 3/8 FPT
9	3332643	1	HOSE-RAD UPPER 1505
10	3332644	1	HOSE-RAD LOWER 1505
11	3335639	1	HOSE - 1/2" ID X 24" PCV OIL DRAIN
12	3341069	1	SENDER-OIL PRESSURE 12V
13	3341070	1	SENDER-TEMPERATURE 12V
14	3400293	2	SCR-HEX,10MMX1.25PX20MM
15	3400385	1	WASHER-CONICAL SPRING 3/8
16	3401122	0.100	565 PST. Thrd Slnt 50ml (WHITE LOCTITE 565)
17	3402005	1	CLAMP-HOSE SUPPORT

NOTE: The 9XR, 9XV and 9XR Europe models are available with the kubota v1505 diesel engine.

NOTE: Units beginning SN-18168059

ENGINE KUBOTA V1505 DIESEL - HYDRAULIC PUMP DETAIL

NOTE: Units beginning SN-18168059

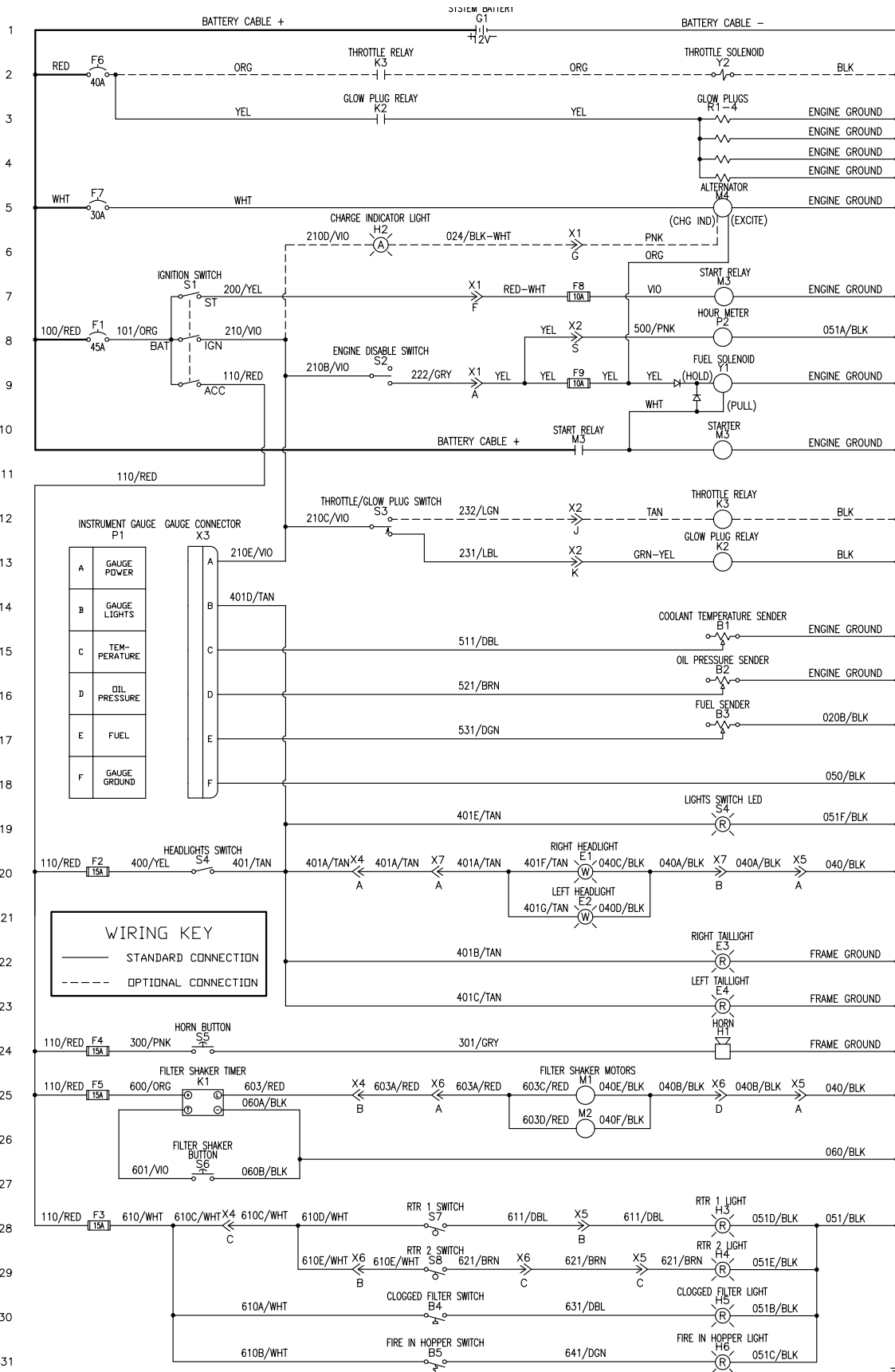


ENGINE KUBOTA V1505 DIESEL - HYDRAULIC PUMP DETAIL			
ITEM	PART NO.	REQ'D	DESCRIPTION
1	3300526	8	BUMPER-RUBBER 1/4 ID X 1/8 THK
2	3300543	4	SPRING-FWD/REV RETURN
3	3301507	1	COUPLING-RUBBER, DIR CONTROL
4	3301544	1	WELD-DISC FWD/REV
5	3303711	1	O RING-STATIC SEAL 3.239 ID
6	3303918	2	SPACER-FWD/REV BRACKET
7	3307219	1	PLT-DIRECTIONAL CONT PLTD
8	3321397	1	PUMP-HYDRAULIC AUX W/FLOW DIVIDER
9	3335072	1	PUMP-PISTON, VARIABLE, 1.44 CI
10	3335200	1	PLT - FWD/REV SPRING MNT V1505
11	3335301	1	BRACKET - FWD/REV . 9X
12	3335709	1	FTG-45° 1-1/16-12 X 1/2", STR#12-JIC37°#8
13	3341130	1	FTG-90 3/4-16 TO #6
14	3342204	1	FTG-GAUGE PORT
15	3342205	1	COUPLING-TEST 4 MALE 0-ROMG (7/16-20)
16	3400009	2	SCR-CAR,5/16-18X1.00
17	3400027	1	SCR-HEX,3/8-16X1.75
18	3400028	2	SCR-HEX,3/8-16x1.50
19	3400029	2	SCR-HEX, 3/8-16x1.25
20	3400033	2	SCR-HEX,5/16-18X1.50
21	3400069	2	NUT-HEX 5/16-24
22	3400079	1	NUT-HEX 3/8-16 ES
23	3400080	6	NUT-HEX 5/16-18 ES
24	3400081	3	NUT-HEX 1/4-20 ES
25	3400101	2	WASHER-LOCK 3/8 SPLIT
26	3400149	2	SCR-HEX,1/4-20x1.50
27	3400150	1	FTG-STR 3/4-16 TO #4
28	3400154	1	FTG-90 3/4-16 TO #8
29	3400156	1	FTG-90 1 5/16-12 TO #16
30	3400157	1	FTG-45° 3/4-16 TO #8
31	3400158	1	FTG-45° 7/8-14 TO #8
32	3400167	1	FTG-ADAPTER 1 1/6-12 EXT
33	3400173	1	SCR-HEX,1/4-20X1.75
34	3400221	2	SCR-HEX,5/16-24X1.00
35	3400231	2	SCR-HEX,5/16-18X2.0
36	3400233	4	WASHER-FENDER 5/16 1.00 OD
37	3400248	1	FTG-SWIVEL 45 ELL #4JIC 1/4
38	3400385	2	WASHER-CONICAL SPRING 3/8

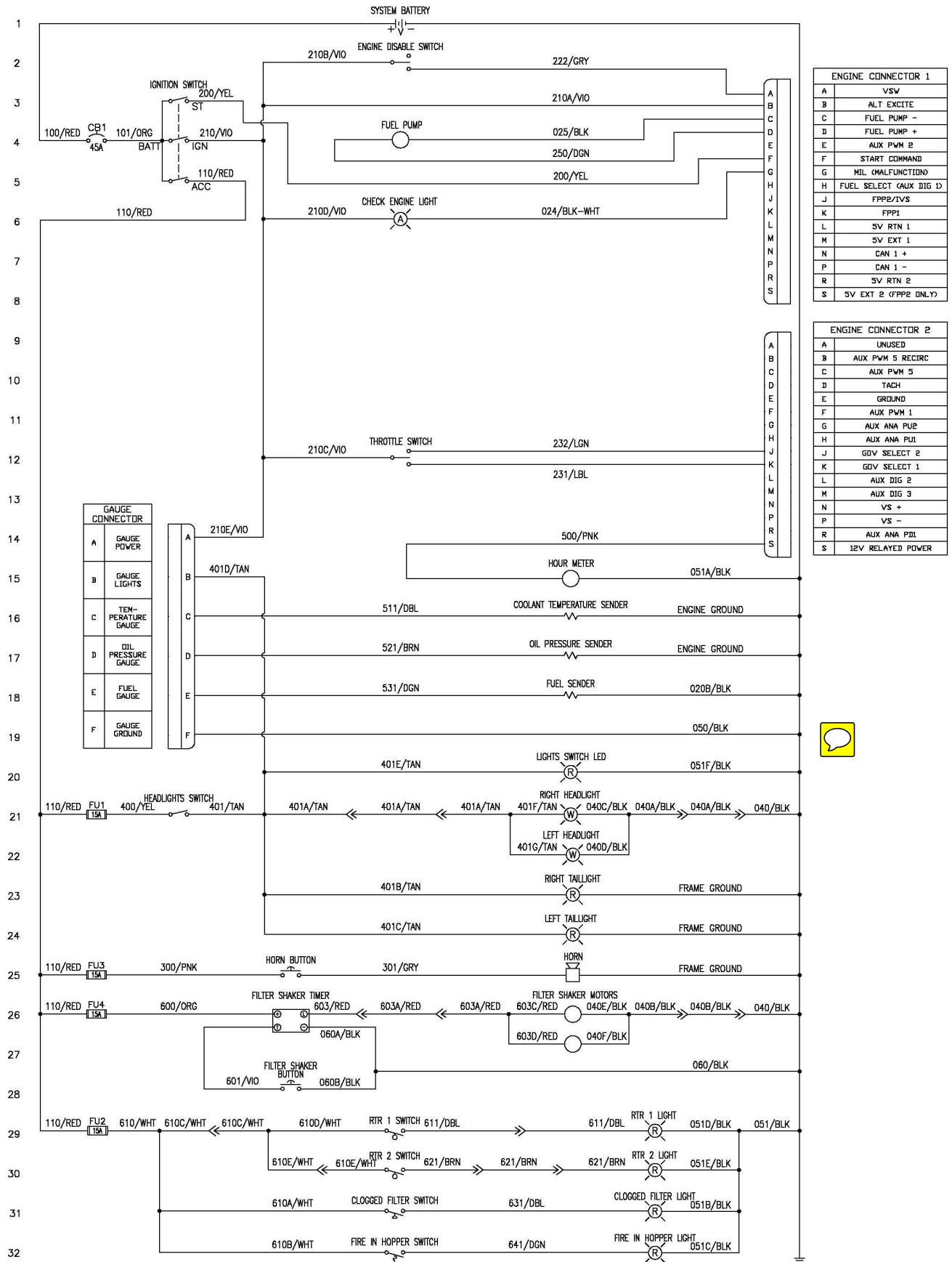
NOTE: The 9XR, 9XV and 9XR Europe models are available with the kubota v1505 diesel engine.

NOTE: Units beginning SN-18168059

ELECTRICAL SCHEMATIC WITH KUBOTA V150S



ELECTRICAL SCHEMATIC WITH GM1.6L

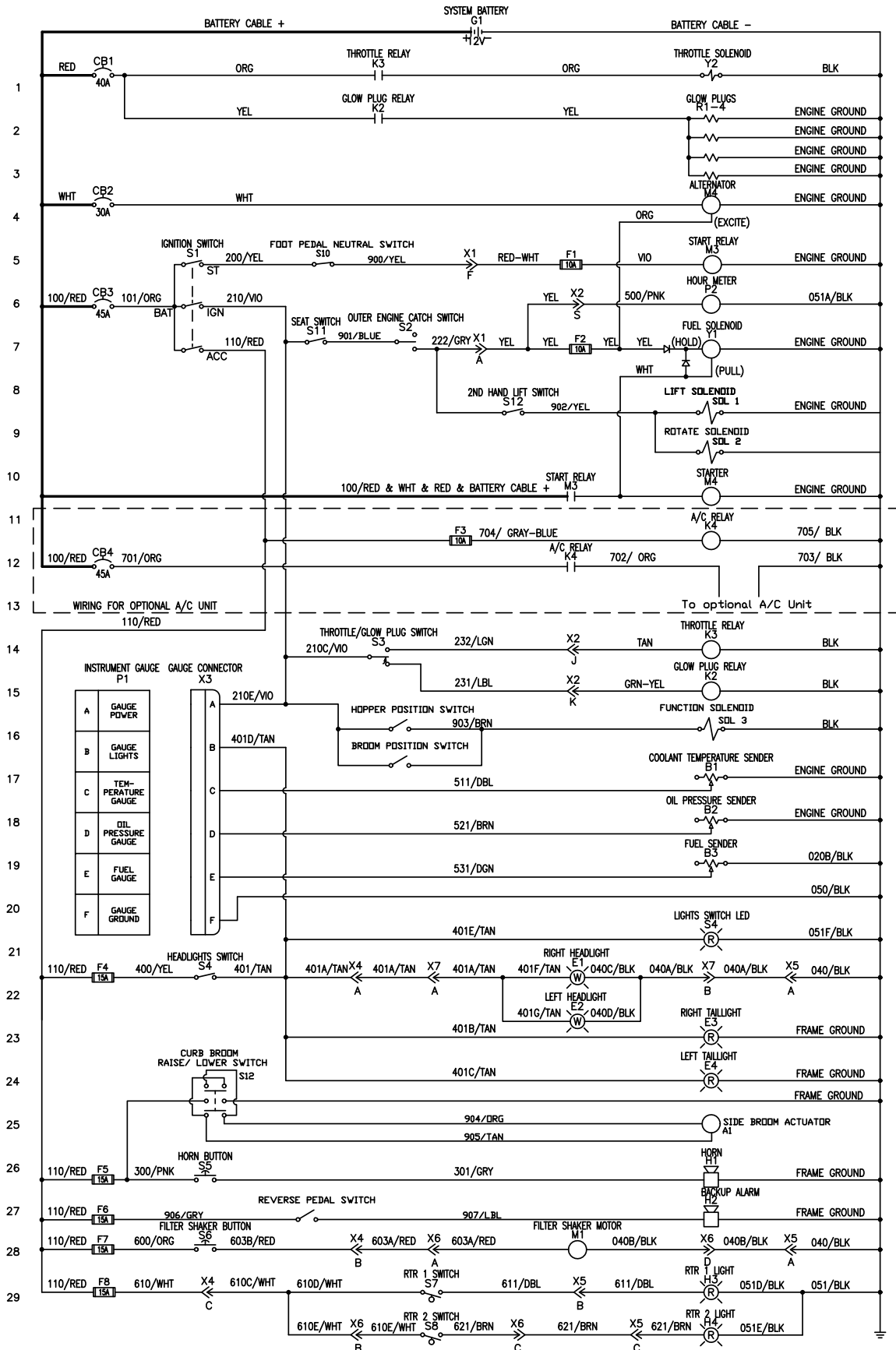


ENGINE CONNECTOR 1	
A	VSV
B	ALT EXCITE
C	FUEL PUMP -
D	FUEL PUMP +
E	AUX PWM 2
F	START COMMAND
G	MIL (MALFUNCTION)
H	FUEL SELECT (AUX DIG 1)
J	FPP2/IVS
K	FPP1
L	SV RTN 1
M	SV EXT 1
N	CAN 1 +
P	CAN 1 -
R	SV RTN 2
S	SV EXT 2 (FPP2 DNLY)

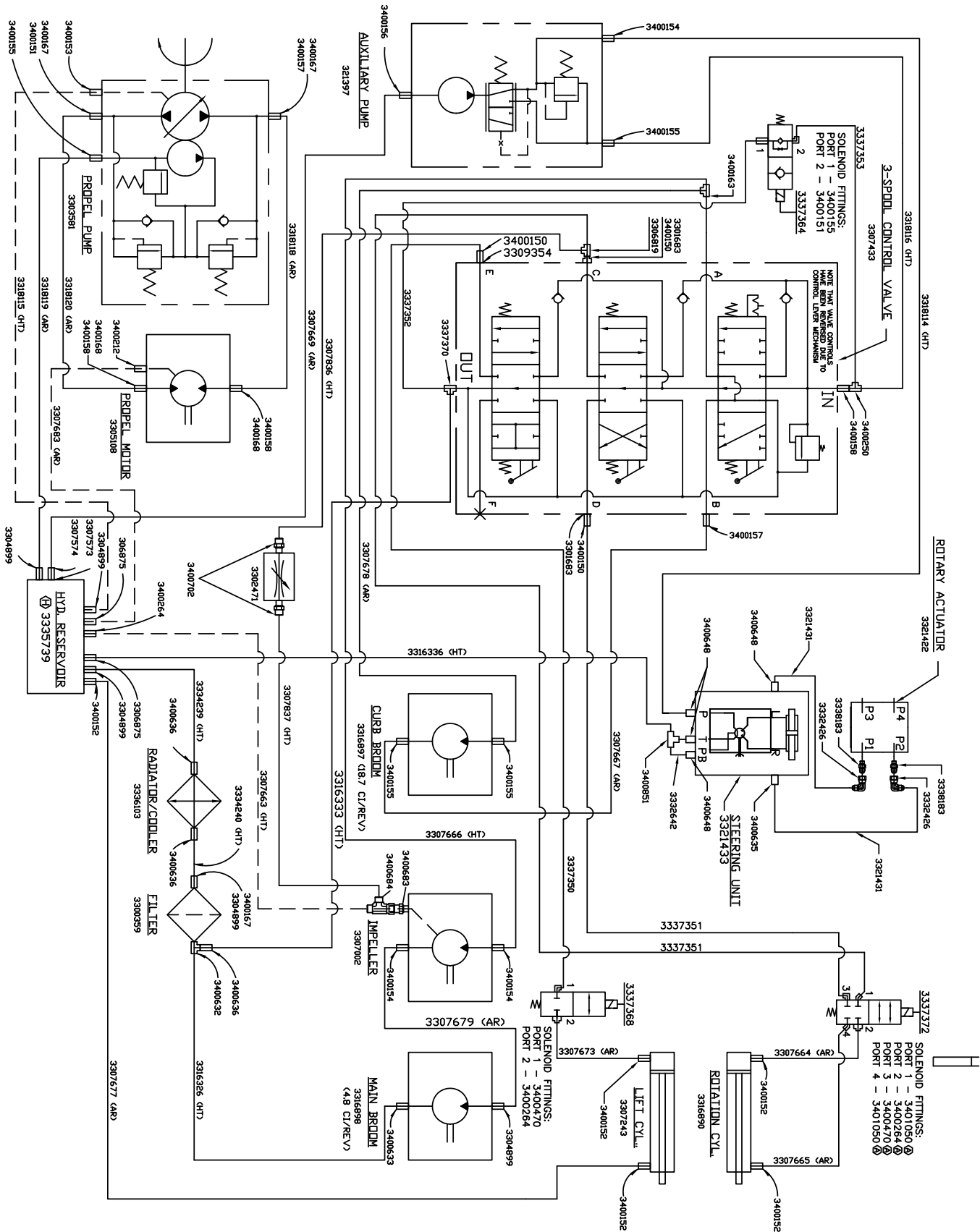
ENGINE CONNECTOR 2	
A	UNUSED
B	AUX PWM 5 RECIRC
C	AUX PWM 5
D	TACH
E	GROUND
F	AUX PWM 1
G	AUX ANA PUE
H	AUX ANA FUI
J	GOV SELECT 2
K	GOV SELECT 1
L	AUX DIG 2
M	AUX DIG 3
N	VS +
P	VS -
R	AUX ANA PDI
S	12V RELAYED POWER



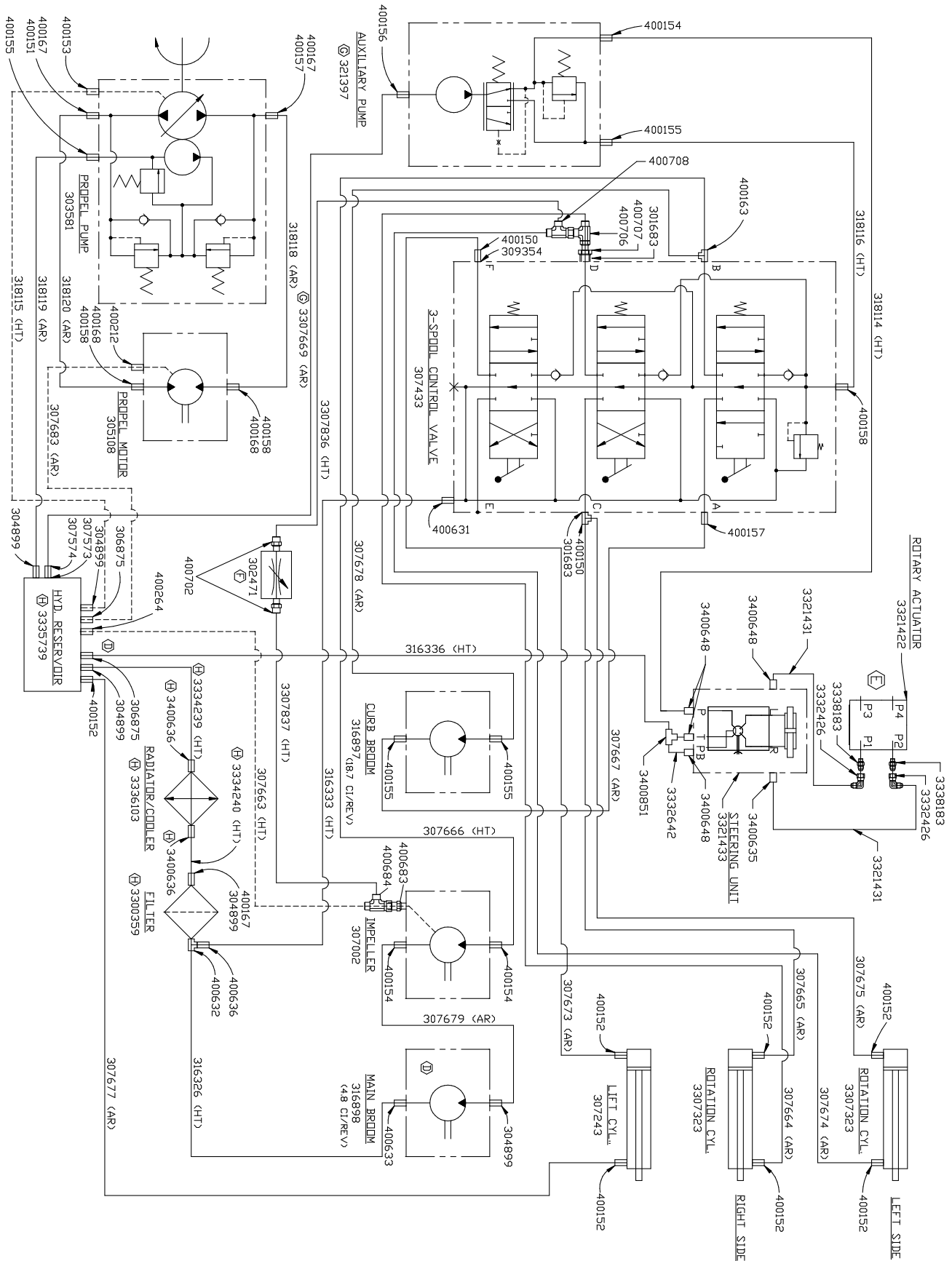
ELECTRICAL SCHEMATIC 9XR EUROPE WITH KUBOTA V1505



HYDRAULIC SCHEMATIC 9XR EUROPE



HYDRAULIC SCHEMATIC 9XV



PART #	DESCRIPTION	Additional Info	QTY/REQ	12 Mos.
MAIN BROOMS				
3305818	High Density Natural Fiber & Wire		1	3
3305812	Nylon		1	3
3305665	Nylon (High Density)		1	3
3305814	Nylon (Patrol Broom)		1	3
3315315	Nylon (Stiff)		1	3
3305663	Proex & Wire		1	3
3305824	Crinkle Wire		1	3
3332456	Stiff Poly & Wire		1	3
MAIN BROOM SKIRTS, FLAPS, & SEALS				
3307280	Flap Broom Door		2	6
3307720	Flap Hopper Front SW/A		5	15
3307842	Flap Hopper Side SW/A		2	6
3307278	Flap Rear Feed SW/A Inner		1	1
3307273	Flap Rear SW/A Outer		1	1
3307276	Seal Hopper Frame		1	1
3318143	Seal Hopper Side		2	2
3318739	Gasket Weather Stripping for Broom Door	With adhesive Backing order per foot & cut to fit	3.0' ft	9.0'
3318739	Gasket Weather Stripping for Hopper Lid		9.0' ft	9.0" ft
3318739	Gasket Weather Stripping For Hopper Hood		11.0' ft	11.0' ft
SIDE BROOMS				
3300308	24" Nylon (White)	STANDARD	1	3
3300306	24" Poly (Black)	STANDARD	1	3
3300309	26" Nylon (White)	OPTIONAL	1	3
3300307	26" Poly (Black)	OPTIONAL	1	3
3300311	26" Wire	OPTIONAL	1	3
TIRES				
FRONT		650 X 10		
3307252	Pneumatic	STANDARD	2	
3307253	Inner Tube		2	
3307330	Soft Shoe	OPTIONAL	2	
3307324	Solid	OPTIONAL	2	
REAR		690 X 9		
3307256	Pneumatic	STANDARD	1	
3307257	Inner Tube		1	
3307331	Soft Shoe	OPTIONAL	1	
3307325	Solid	OPTIONAL	1	
FILTERS DUST CONTROL				
3334070	Dust Control Panel Filter Poly	CURRENT STANDARD	2	2

Wear items replacement parts based on (795) Seven Hundred & Ninety Five hours of yearly usage. Per Unit (3) Three hours daily (5) Five days per week making a (265) Two Hundred & Sixty Five day work calendar.

COMMON STOCK ITEMS

PART #	DESCRIPTION	Additional Info	QTY/REQ	12 Mos.
3307432	Dust Control Panel Filter Paper		2	2
	FILTERS ENGINE AIR CLEANER			
3302842	Element Primary	DEISEL ENGINE	1	8
3302597	Element Safety	DEISEL ENGINE	1	4
3321143	Element Primary Radial Seal	LP / GASOLINE	1	8
3322572	Element Safety Radial Seal	LP / GASOLINE	1	8
	FILTERS ENGINE OIL			
3336187	Nissan CG13	LP / GASOLINE	1	8
3324129	Kubota V-1505	DEISEL ENGINE	1	8
3303662	Ford VSG413	LP / GASOLINE	1	8
	FILTERS ENGINE FUEL			
3303324	Kubota V1505	DEISEL ENGINE	1	3
3336584	Nissan CG13	LP	1	5
3336573	Nissan CG13	GASOLINE	1	3
3340179	Ford VSG413	Screw in filter @ carbureator	1	3
	FILTERS HYDRAULIC			
3300359	Hydraulic Oil Filter		1	1
3305978	Hydraulic Reservoir Breather Cap		1	1
	NISSAN CG13 IGNITION COMPONENTS			
3336154	Spark Plug	CG13	4	4
3336150	High Tension Wire Set	CG13	1	1
3336160	Rotor Distributor	CG13	1	1
3336159	Cap Distributor	CG13	1	1
	FORD VSG413 IGNITION COMPONENTS	DIS Type No Distruibutor		
3340242	Spark Plug		4	4
3340281	High Tension Wire #1 2nd generation >1995	Not sold in Sets	1	1
3340282	High Tension Wire #2 2nd generation >1995	Not sold in Sets	1	1
3340283	High Tension Wire #3 2nd generation >1995	Not sold in Sets	1	1
3340284	High Tension Wire #4 2nd generation >1995	Not sold in Sets	1	1
	V BELTS			
3336441	Nissan CG13	WATER PUMP	1	1
3336442		ALTERNATOR	1	1
3329867	Kubota V1505		1	1
3340160	Ford VSG413		1	1
3303641	Kubota V1902		1	1
	KUBOTA V1505			
3330795	Glow Plugs		4	4
3334549	Shut Down Solenoid Kit		1	2

Wear items replacement parts based on (795) Seven Hundred & Ninety Five hours of yearly usage. Per Unit (3) Three hours daily (5) Five days per week making a (265) Two Hundred & Sixty Five day work calendar.

PART #	DESCRIPTION	Additional Info	QTY/REQ	12 Mos.
	KUBOTA V1902			
3303643	Glow Plugs		4	4
	COUPLER ENGINE PUMP DRIVE			
3329956	Kubota V1505		1	1
3305320	Kubota V1902		1	1
3334066	Nissan CG13		1	1
3340276	Ford VSG413		1	1
	HYDRAULIC COMPONENT SEAL KITS	Manufacture Number		
3324169	Seal Kit Used For Danfoss Main Broom & Side Broom Motors matching these numbers →	DH315151-2258 DH315151-2048	1	1
3305975	Seal Kit Used For Eaton Main Broom & Side Broom Motors matching these numbers →	101-1015-009 101-2036-009	1	1
3309292	Shaft Seal for Impeller Motor	1010174	1	1
3316101	Seal Kit for Main Pump	70141-RES-02	1	1
3321399	Seal Kit for Auxiliary Pump	26210-RAB	1	1
3321160	Seal Kit for Orbital Steering Motor Pre Rotary Streer	OSPB-150-0027	1	1
3334281	Seal Kit for Orbital Steering Motor With Rotary Streer	150-3172	1	1
	ELECTRICAL COMPONENTS			
	LIGHTS			
3315839	Headlight Complete		2	2
3315869	Bulb Replacement For Headlight		2	2
3303204	Tail light		2	2
3334179	Tail light Replacement Bulb		2	2
3303479	Tail light Replacement Lens		2	2
3301553	RTR Lights (RED)	Clog Filter, Hopper fire, Hopper #1	4	4
3333635	Check Engine Light (Amber) Not required on units before June 2004		1	1
3301345	Instrument Lights		4	4
	BREAKER CIRCUIT			
3026924	Circuit Breaker 45amp		1	1
3304090	Circuit Breaker 15amp		3	3
	CONTROL SWITCHES, PUSH BUTTONS & ROCKERS			

Wear items replacement parts based on (795) Seven Hundred & Ninety Five hours of yearly usage. Per Unit (3) Three hours daily (5) Five days per week making a (265) Two Hundred & Sixty Five day work calendar.

COMMON STOCK ITEMS

PART #	DESCRIPTION	Additional Info	QTY/REQ	12 Mos.
3329812	Switch Three Position Toggle Engine Disable	Located @ the battery box	1	1
3307590	Switch Interlock Type Engine Disable		1	1
3300440	Button Momentary	For Starter,Horn,Glow Plugs,Shaker Motor	4	8
3307552	Rocker Head / Tail Lights	I / O	1	1
3307553	Rocker Power Swing	Momentary	1	1
3315818	Rocker Engine Three Speed	Gas / LP	1	1
	IGNITION SWITCH			
3307610	Gas / LP / Diesel		1	2
	GAUGES			
3300383	Oil Pressure Gauge	PSI	1	1
3300384	Water Temperature Gauge	F°	1	1
3309779	Battery Charge Gauge	VOLTS	1	1
3300382	Fuel Gauge		1	1
3300385	Hour Meter		1	1
	MISCELLANEOUS			
3307374	Engine Swing Actuator		1	1
3303327	Clogged Filter Vacuum Switch		1	1
3321292	Time Filter Relay		1	1
3300379	Horn		1	1
3322599	Fuse Panel Block		1	1
3300424	Shaker Motor		1	1
3321179	Cable Throttle	Diesel Only	1	1
	HYDRAULIC COMPONENTS			
	PUMPS			
3303581	Main Pump	For Propulsion	1	1
Wear items replacement parts based on (795) Seven Hundred & Ninety Five hours of yearly usage. Per Unit (3) Three hours daily (5) Five days per week making a (265) Two Hundred & Sixty Five day work calendar.				

PART #	DESCRIPTION	Additional Info	QTY/REQ	12 Mos.
3321397	Auxiliary	For Brush, Lift, Steering & Dust Control	1	1
	CYLINDERS			
3307243	Lift		1	1
3307323	Rotation		2	2
	MOTORS			
3316897	Side Broom		1	1
3316898	Main Broom		1	1
3316832	Impeller		1	1
3321151	Drive		1	1
3316899	Orbital Steering Unit	Pre Rotary Steering	1	1
3321433	Orbital Steering Unit	With Rotary Steering	1	1
3307433	Control Valve		1	1
Wear items replacement parts based on (795) Seven Hundred & Ninety Five hours of yearly usage. Per Unit (3) Three hours daily (5) Five days per week making a (265) Two Hundred & Sixty Five day work calendar.				

WARRANTY



Revision G
Effective September 2010
PowerBoss Made Simple Industrial Limited Warranty

Minuteman International owner of PowerBoss warrants to the original purchaser/user that the product is free from defects in workmanship and materials under normal use. PowerBoss will, at its option, repair or replace without charge, parts that fail under normal use and service when operated and maintained in accordance with the applicable operation and instruction manuals. All warranty claims must be submitted through and approved by factory authorized repair stations.

This warranty does not apply to normal wear, or to items whose life is dependent on their use and care. Parts not manufactured by PowerBoss are covered by and subject to the warranties and/or guarantees of their manufacturers. Please contact Minuteman International for procedures in warranty claims against these manufacturers.

Special warning to purchaser -- Use of replacement parts not manufactured by PowerBoss or its designated licensees, will void all warranties expressed or implied. A potential health hazard exists without original equipment replacement.

All warranted items become the sole property of Minuteman International or PowerBoss or its original manufacturer, whichever the case may be.

PowerBoss disclaims any implied warranty, including the warranty of merchantability and the warranty of fitness for a particular purpose. PowerBoss assumes no responsibility for any special, incidental or consequential damages.

This limited warranty is applicable only in the U.S.A. and Canada, and is extended only to the original user/purchaser of this product. Customers outside the U.S.A. and Canada should contact their local distributor for export warranty policies. PowerBoss is not responsible for costs or repairs performed by persons other than those specifically authorized by PowerBoss. This warranty does not apply to damage from transportation, alterations by unauthorized persons, misuse or abuse of the equipment, use of non-compatible chemicals, or damage to property, or loss of income due to malfunctions of the product. If a difficulty develops with this machine, you should contact the dealer from whom it was purchased.

This warranty gives you specific legal rights, and you may have other rights, which vary from state to state. Some states do not allow the exclusion or limitation of special, incidental or consequential damages, or limitations on how long an implied warranty lasts, so the above exclusions and limitations may not apply to you.

	Travel*	Labor	Parts	Engine	Extended Warranty	Costs
Walk behinds						
Battery sweepers	Ninety days	One year	One year	N/A	2 years Parts + Labor (or 2000 Hours)	2%
IC sweepers	Ninety days	One year	One year	Through manufacturer	2 years Parts + Labor (or 2000 Hours)	2%
Battery scrubbers	Ninety days	Two years	Three years	N/A	3 Years Parts + Labor (or 3000 Hours)	2%
Riders						
Battery scrubbers	Ninety days	Two years	Three years/2000 hrs	N/A	3 Years Parts + Labor (or 3000 Hours)	2%
IC sweeper/scrubbers	Ninety days	Six months	Two years/2000 hrs	Two years/3000 hrs**	2 years Parts + Labor (or 2000 Hours)	3%
IC sweepers	Ninety days	Six months	Four years/3000 hrs	Five years/3000 hrs**	4 Years Parts + 2 Years Labor (or 4000 Hours)	3%
Exceptions						
Apex series sweeper	Ninety days	One year	One year/1000 hrs	One year/1000 hrs**	2 years Parts + Labor (or 2000 Hours)	3%
6X sweeper	Ninety days	Six months	Two years/2000 hrs	Two years/2000 hours**	2 years Parts + Labor (or 2000 Hours)	3%
Other Products						
QRE-3001A	Ninety days	Six months	Two years/2000 hrs	Two years/3000 hours**	2 years Parts + Labor (or 2000 Hours)	3%

- Tank Bladders Eight years/ no additional labor
- Polyethylene plastic tanks Ten years/ no additional labor
- Batteries 0-3 months full replacement, 4-12 prorated credit
- Chargers One-year replacement
- Replacement parts Ninety days
- *Two-hour cap

**Through engine manufacturer. See section 3 of warranty manual for engine warranty exceptions
 *** Based upon dealer's certification status
 Extended Warranty MUST be signed up within 30 days of delivery to End User (Dealer has 1Year from Receiving Machine to Sign up extended Warranty)
 Extended Warranty Cost is based on Invoice Price multiplied by the Percentage listed in the Extended Warranty Column

All above labor and travel reimbursed at 65 or 75% of the published shop rate.



“The Power of Clean”

**PowerBoss Is A Full Line Manufacturer Of Sweepers and Scrubbers For
Industrial Facilities.**

PowerBoss, Inc 175 Anderson Street P.O. Box 1227- Aberdeen North Carolina 28315

Phone: 800-982-7141 - Fax: 1-800-277-7141 Local: 910-944-2105 Fax: 910-944-7409 e-mail: techsupport@powerboss.com

A Member Of The Hako Group